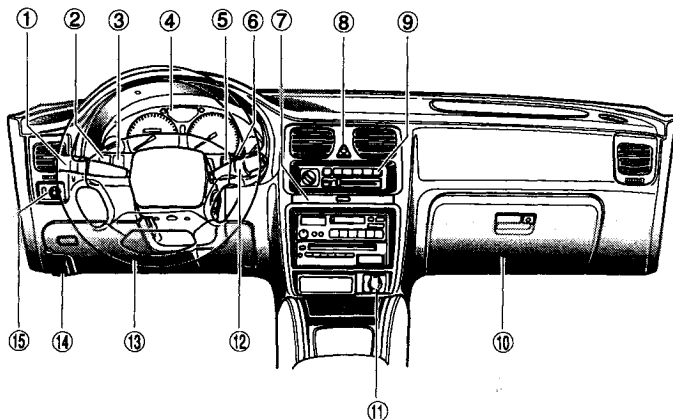


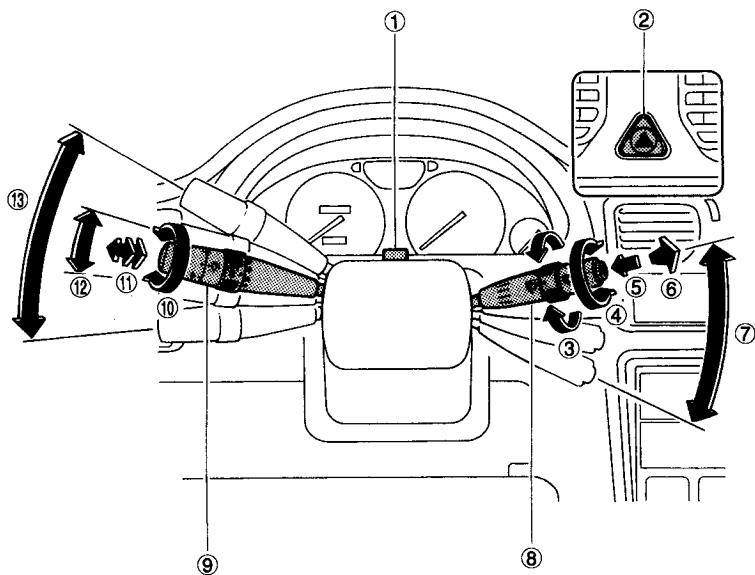
## ■ Instrument panel



OM-H2734

- ① Lighting, turn signal and illumination brightness control switch (page 3-11)
- ② Security system indicator light (Page 1-6) or TCS OFF switch (page 7-33) (TCS OFF indicator light [Page 7-34])
- ③ Fog light switch (page 3-15)
- ④ Combination meter (page 3-4)
- ⑤ Rear window defogger switch (page 3-20)
- ⑥ Cruise control main switch (page 7-24)
- ⑦ Cup holder (page 6-4)
- ⑧ Hazard warning flasher (page 3-11)
- ⑨ Heater or air conditioner control (page 4-3)
- ⑩ Glove compartment (page 6-2)
- ⑪ Accessory socket (page 6-5)
- ⑫ Windshield wiper and washer switch (page 3-17)
- ⑬ Steering (page 7-22)
- ⑭ Hood lock release (page 1-15)
- ⑮ Remote control mirror switch (page 3-22)

- CONTINUED -



OM-H2500

- |  |  |
|--|--|
| ① Position light switch<br>(page 3-14)               | ⑦ Windshield wiper (page 3-17)                             |
| ② Hazard warning flasher switch<br>(page 3-11)       | ⑧ Wiper control (page 3-16)                                |
| ③ Wiper intermittent time control<br>(page 3-18)     | ⑨ Light control (page 3-11)                                |
| ④ Rear window wiper and<br>washer switch (page 3-19) | ⑩ Headlight ON/OFF<br>(page 3-12)                          |
| ⑤ Windshield washer<br>(page 3-17)                   | ⑪ Headlight flasher/High/Low<br>beam change<br>(page 3-12) |
| ⑥ Mist (page 3-18)                                   | ⑫ Turn signal (for lane change)<br>(page 3-13)             |
|  | ⑬ Turn signal (page 3-13)                                  |