

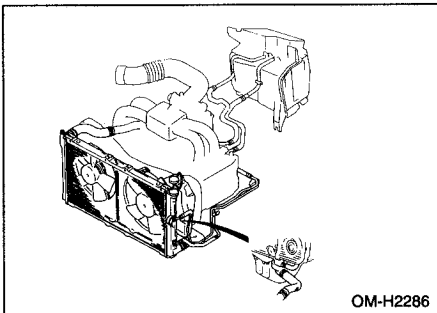
NOTE

If the vehicle is used in desert areas, in areas with very high temperatures, or used for heavy-duty applications such as a towing a trailer, use of oil with the following viscosities is recommended.

API classification SH:

SAE: 30, 40, 10W-50, 20W-40, 20W-50

Cooling system, hoses and connections



- CONTINUED -

Your vehicle employs an electric cooling fan which is thermostatically controlled to operate when the engine coolant reaches a specific temperature.

If the radiator cooling fan does not operate even when the engine coolant temperature gauge exceeds the normal operating range, the circuit of the cooling fan may be defective. Check the fuse and replace it if necessary. If the fuse is not blown, have the cooling system checked by your SUBARU dealer.

If frequent addition of coolant is necessary, there may be a leak in the engine cooling system. It is recommended that the cooling system and connections be checked for leaks, damage, or looseness.

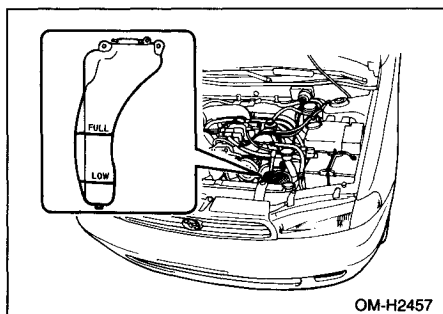
Engine coolant

■ Checking the coolant level

WARNING

Never attempt to remove the radiator cap until the engine has been shut off and has cooled down completely. Since the coolant is under pressure, you may suffer serious burns by a spray of boiling hot coolant when the cap is removed.

Check the coolant level at each fuel stop.



OM-H2457

1. Check the coolant level on the outside of the reservoir while the engine is cool.