

in. (mm)

	Deflection	
	New belt	Used belt
①	0.28 — 0.35 (7.0 — 9.0)	0.35 — 0.43 (9.0 — 11.0)
②	0.30 — 0.33 (7.5 — 8.5)	0.35 — 0.40 (9.0 — 10.0)

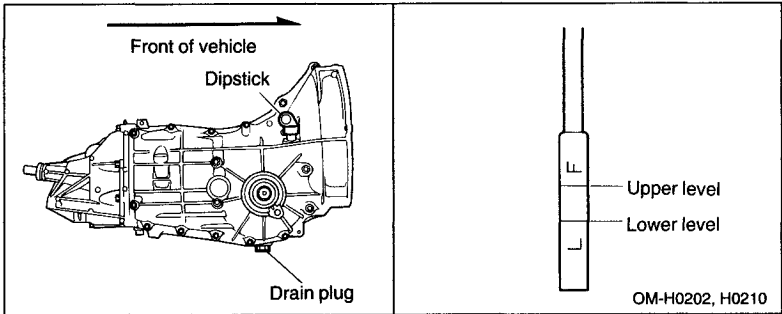
To check belt tension, place a straightedge (ruler) across two adjacent pulleys and apply a force of 98 N (22 lb, 10 kg) midway between the pulleys by using a spring scale. Belt deflection should be the amount specified. If a belt is loose, cracked, or worn, contact your SUBARU dealer.

Manual transmission oil

■ Checking the oil level

Check the oil level monthly.

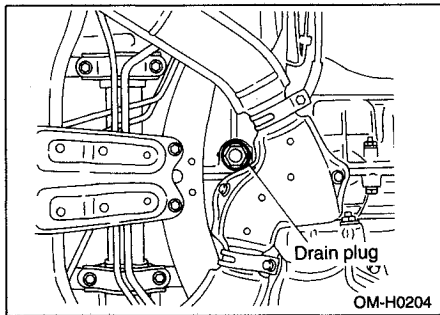
1. Park the vehicle on a level surface and stop the engine.



2. Pull out the dipstick, wipe it clean, and insert it again.
3. Pull out the dipstick again and check the oil level on it. If it is below the lower level, add oil to bring the level up to the upper level.

■ Changing the oil

Change the transmission oil according to the maintenance schedule in the warranty and maintenance booklet.



1. Drain the transmission oil by removing the drain plug. The used oil should be drained into an appropriate container and disposed of properly.
2. After the oil has drained out, tighten the drain plug securely with a new sealing washer.
3. Pour the specified amount of transmission oil through the dipstick hole.

- CONTINUED -

FWD: 3.5 US qt (3.3 liters, 2.9 Imp qt)

AWD: 3.7 US qt (3.5 liters, 3.1 Imp qt)

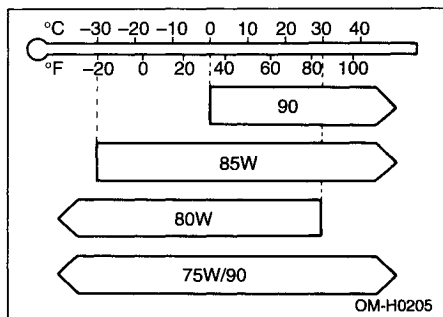
4. Ensure that the oil level is in the specified range.

■ Recommended grade and viscosity

Each oil manufacturer has its own base oils and additives. Never use different brands together.

Oil grade: API classification GL-5

SAE viscosity No. and Applicable Temperature



Automatic transmission fluid

■ Checking the fluid level

Check the fluid level monthly.

1. Drive the vehicle several miles to raise the temperature of the transmission fluid up to normal operating temperature; 140 to 176°F (60 to 80 °C) is normal.
2. Park the vehicle on a level surface and set the parking brake.
3. First shift the selector lever in each position. Then shift it in the "P" position, and run the engine at idling speed.