
FWD: 3.5 US qt (3.3 liters, 2.9 Imp qt)

AWD: 3.7 US qt (3.5 liters, 3.1 Imp qt)

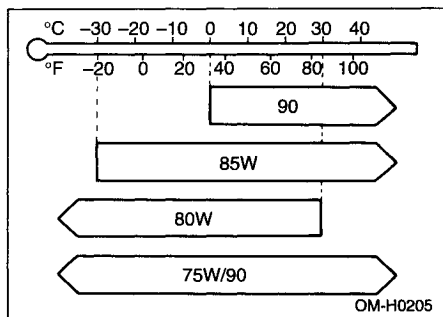
4. Ensure that the oil level is in the specified range.

■ Recommended grade and viscosity

Each oil manufacturer has its own base oils and additives. Never use different brands together.

Oil grade: API classification GL-5

SAE viscosity No. and Applicable Temperature

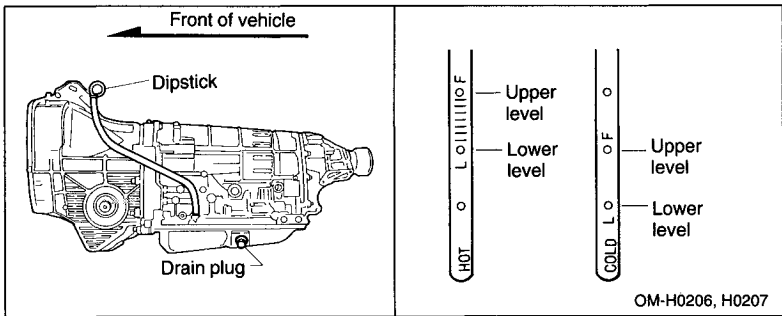


Automatic transmission fluid

■ Checking the fluid level

Check the fluid level monthly.

1. Drive the vehicle several miles to raise the temperature of the transmission fluid up to normal operating temperature; 140 to 176°F (60 to 80 °C) is normal.
2. Park the vehicle on a level surface and set the parking brake.
3. First shift the selector lever in each position. Then shift it in the "P" position, and run the engine at idling speed.

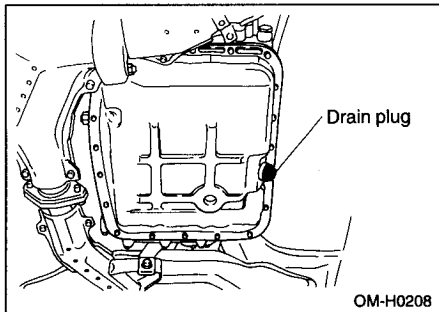


4. Pull out the dipstick and check the fluid level on the gauge. If it is below the lower level on the "HOT" side, add the recommended automatic transmission fluid up to the upper level.

When the fluid level has to be checked without time to warm up the automatic transmission, check to see that the fluid level is between the lower level and upper level on the "COLD" side. If it is below that range, add fluid up to the upper level. Be careful not to overfill.

■ Changing the fluid

Change the transmission oil according to the maintenance schedule in the warranty and maintenance booklet.



1. Drain the automatic transmission fluid by removing the drain plug. The used fluid should be drained into an appropriate container and dis-

- CONTINUED -

posed of properly.

2. After the fluid has drained out, tighten the drain plug with a new sealing washer.

3. Pour the new fluid through the dipstick hole. When replacing the automatic transmission fluid, usually from 2.6 to 3.2 US qt (2.5 to 3.0 liters, 2.2 to 2.6 Imp qt) are required. First just add slightly over 2.0 US qt (1.9 liters, 1.7 Imp qt), check the level and then add enough to completely fill the transmission. Do not fill above the upper level.

■ Recommended fluid

"Dexron II" Type Automatic Transmission Fluid

■ Fluid capacity*

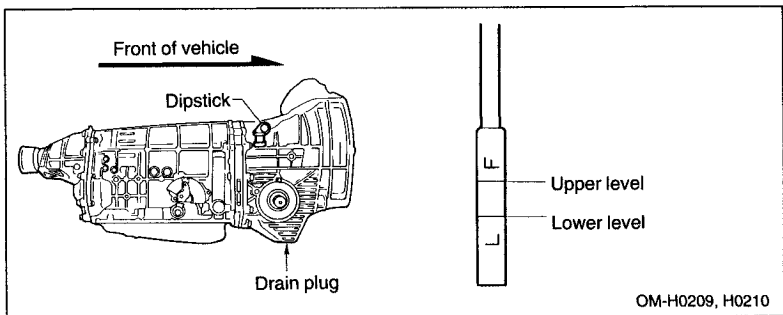
8.3 US qt (7.9 liters, 7.0 Imp qt)

*This is total capacity. Do not attempt to refill this quantity when changing the fluid.

Front differential gear oil (Automatic transmission)

■ Checking the oil level

Check the differential oil level monthly.



1. Park the vehicle on a level surface and stop the engine.