

posed of properly.

2. After the fluid has drained out, tighten the drain plug with a new sealing washer.

3. Pour the new fluid through the dipstick hole. When replacing the automatic transmission fluid, usually from 2.6 to 3.2 US qt (2.5 to 3.0 liters, 2.2 to 2.6 Imp qt) are required. First just add slightly over 2.0 US qt (1.9 liters, 1.7 Imp qt), check the level and then add enough to completely fill the transmission. Do not fill above the upper level.

■ Recommended fluid

"Dexron II" Type Automatic Transmission Fluid

■ Fluid capacity*

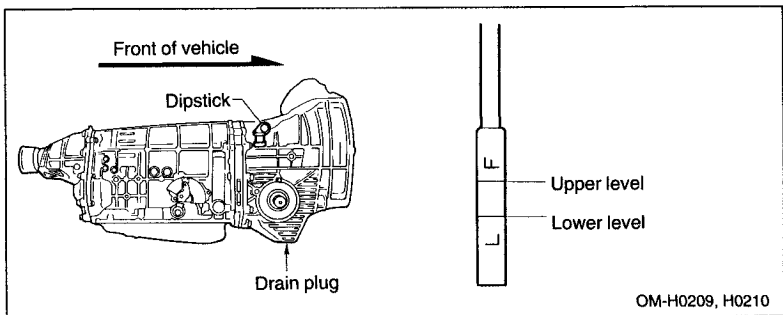
8.3 US qt (7.9 liters, 7.0 Imp qt)

*This is total capacity. Do not attempt to refill this quantity when changing the fluid.

Front differential gear oil (Automatic transmission)

■ Checking the oil level

Check the differential oil level monthly.

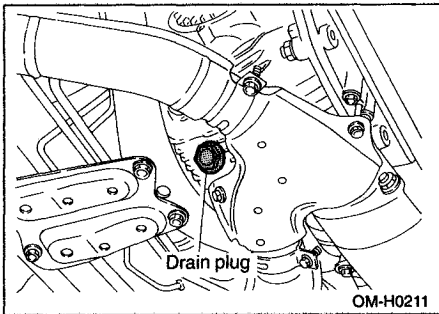


1. Park the vehicle on a level surface and stop the engine.

2. Pull out the dipstick, wipe it clean, and insert it again.
3. Pull out the dipstick again and check the oil level on it. If it is below the lower level, add oil to bring the level up to the upper level.

■ Changing the oil

Change the differential oil according to the maintenance schedule in the warranty and maintenance booklet.



1. Drain the oil by removing the drain plug. The used oil should be drained into an appropriate container and disposed of properly.
2. After the oil has drained out, tighten the drain plug securely with a new sealing washer.
3. Pour the specified amount of new oil through the dipstick hole. Do not fill above the upper level.

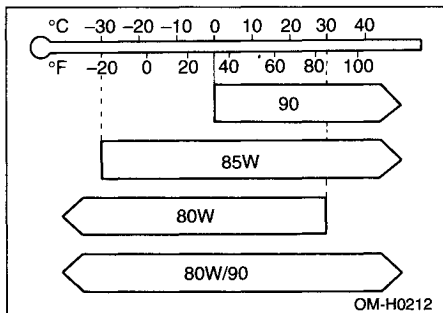
Oil capacity: 1.3 US qt (1.2 liters, 1.1 Imp qt)

■ Recommended grade and viscosity

Each oil manufacturer has its own base oils and additives. Never use different brands together.

Oil grade: API classification GL-5

SAE viscosity No. and Applicable Temperature



Rear differential gear oil (AWD vehicles)

■ Checking the oil level



CAUTION

If the vehicle requires frequent refilling, there may be an oil leak. If you suspect a problem, have the vehicle checked at your SUBARU dealer.

