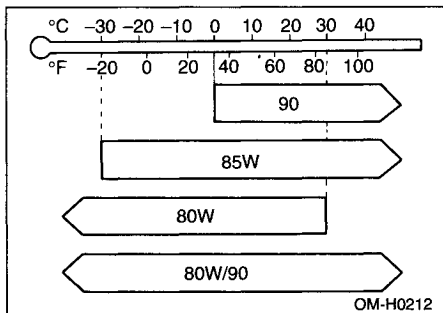


SAE viscosity No. and Applicable Temperature

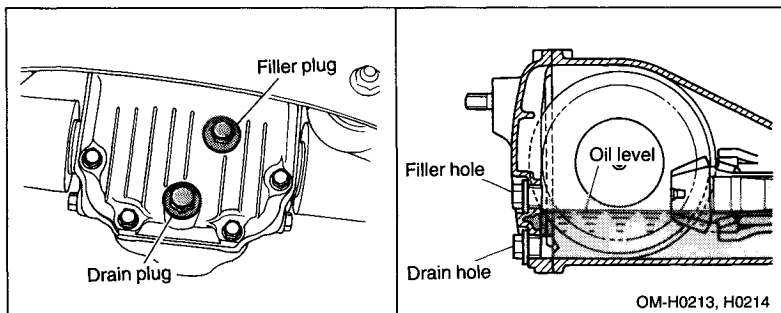


Rear differential gear oil (AWD vehicles)

■ Checking the oil level

⚠ CAUTION

If the vehicle requires frequent refilling, there may be an oil leak. If you suspect a problem, have the vehicle checked at your SUBARU dealer.



Remove the plug from the filler hole and check the oil level. The oil level should be kept even with the bottom of the filler hole. If the oil level is below the bottom edge of the hole, add oil through the filler hole to raise the level.

■ **Changing the oil**

Change the differential oil according to the maintenance schedule in the warranty and maintenance booklet.

1. Drain the oil by removing the drain plug. The used oil should be drained into an appropriate container and disposed of properly.
2. Wipe the seating surface of the drain plug with a clean cloth and tighten it securely with a new sealing washer after the oil has completely drained out.
3. Pour the specified amount of new oil through the filler hole.

Oil capacity: 0.8 US qt (0.8 liters, 0.7 Imp qt)

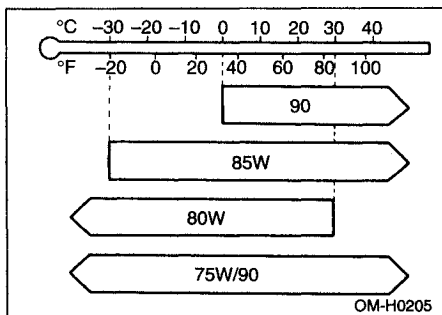
4. In the manner described above, ensure that the oil level is correct.

■ **Recommended grade and viscosity**

Each oil manufacturer has its own base oils and additives. Never use different brands together.

Oil grade: API classification GL-5

SAE viscosity No. and Applicable Temperature



Power steering fluid

■ Checking the fluid level

WARNING

Be careful not to burn yourself because the oil may be hot.

CAUTION

- When power steering fluid is being added, use only clean fluid, and be careful not to allow any dirt into the tank. And never use different brands together.
- Avoid spilling fluid when adding it in the tank.

Check the power steering fluid level monthly.

1. Drive the vehicle several miles to raise the temperature of the power steering fluid up to normal operating temperature, about 140°F (60°C).
2. Park the vehicle on a level surface, and stop the engine.
3. Turn the reservoir cap counterclockwise to remove the fluid level dipstick, wipe the dipstick clean, and reinsert it.