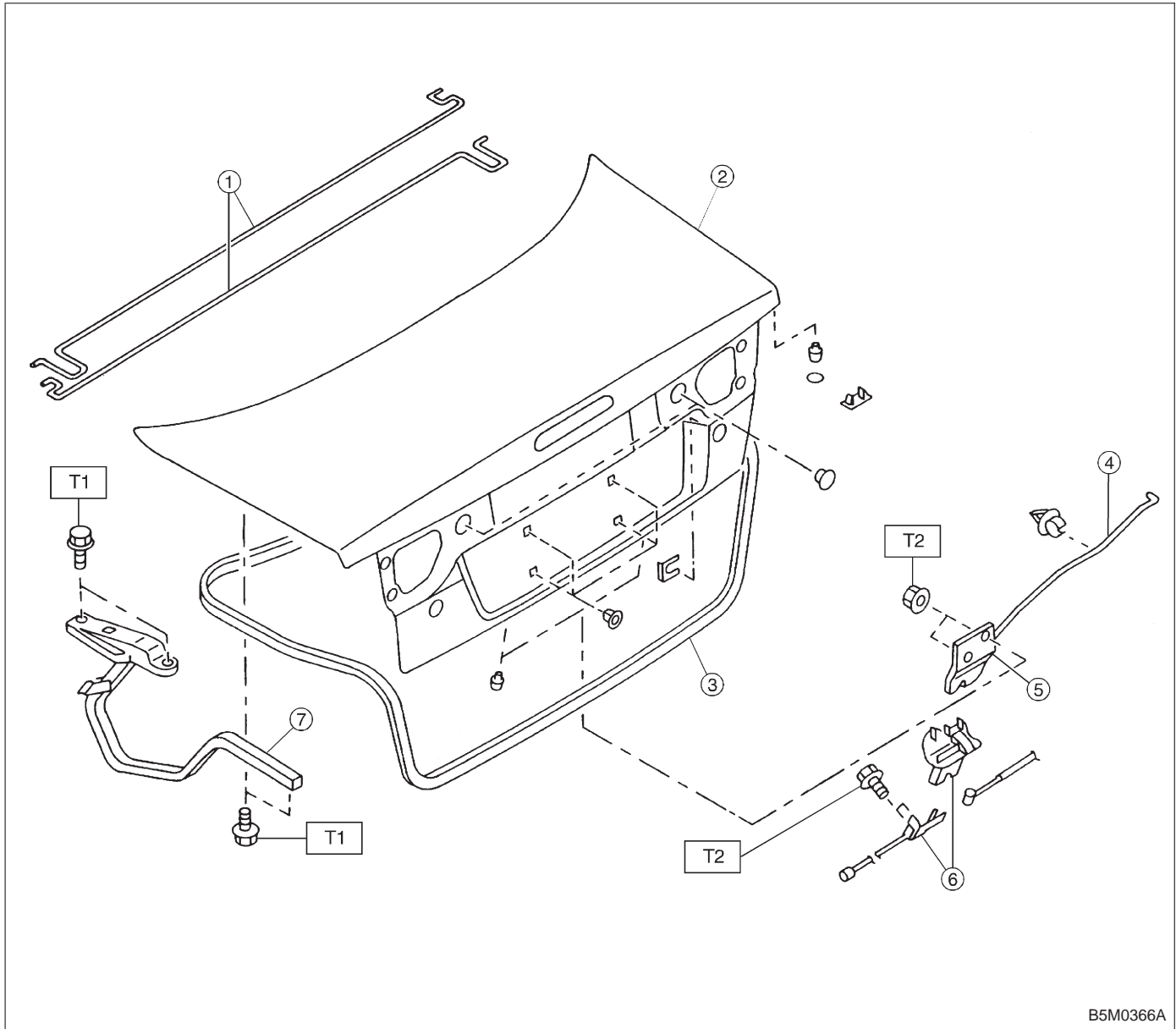


2. Trunk Lid



- ① Torsion bar
- ② Trunk lid
- ③ Weatherstrip
- ④ Rod
- ⑤ Trunk lid lock ASSY
- ⑥ Striker
- ⑦ Hinge ASSY

Tightening torque: N·m (kg·m, ft·lb)

T1: 14±4 (1.4±0.4, 10.1±2.9)

T2: 18±5 (1.8±0.5, 13.0±3.6)