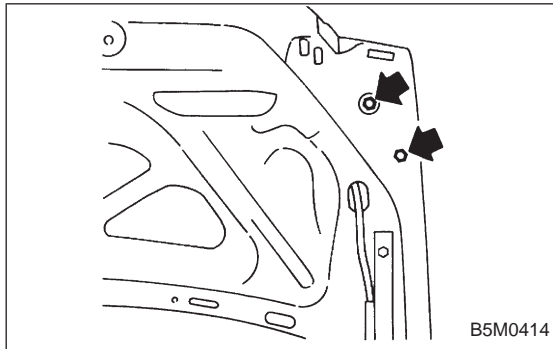


## 19. Rear Spoiler (4 Door Sedan 2500 cc GT model only)

### A: REMOVAL AND INSTALLATION

- 1) Open trunk lid.
- 2) Disconnect high-mount stop light connector located inside the trunk lid.
- 3) Remove rubber caps.



- 4) Remove rear spoiler mounting nuts.

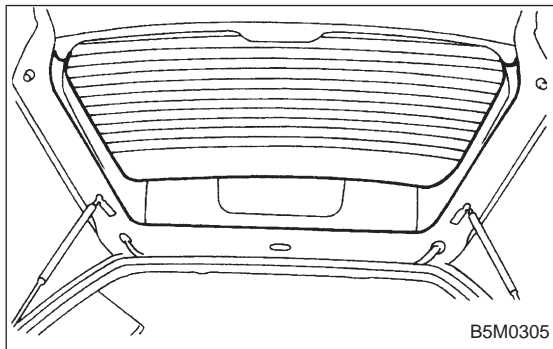
#### CAUTION:

When removing nuts, be careful not to drop them inside rear gate.

- 5) Installation is in the reverse order of removal.

#### Tightening torque:

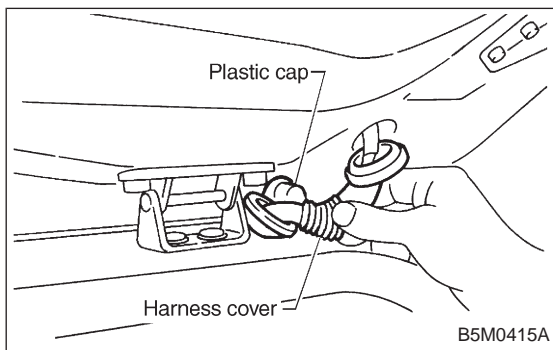
$7.4 \pm 2.0 \text{ N}\cdot\text{m}$  ( $0.75 \pm 0.2 \text{ kg}\cdot\text{m}$ ,  $5.4 \pm 1.4 \text{ ft}\cdot\text{lb}$ )



## 20. Roof Spoiler (Station Wagon 2500 cc GT model only)

### A: REMOVAL AND INSTALLATION

- 1) Open rear gate and remove rear gate trim upper and side.
- 2) Remove high-mount stop light. <Ref. to 6-2 [W5A4].>



- 3) Remove plastic caps and harness covers.