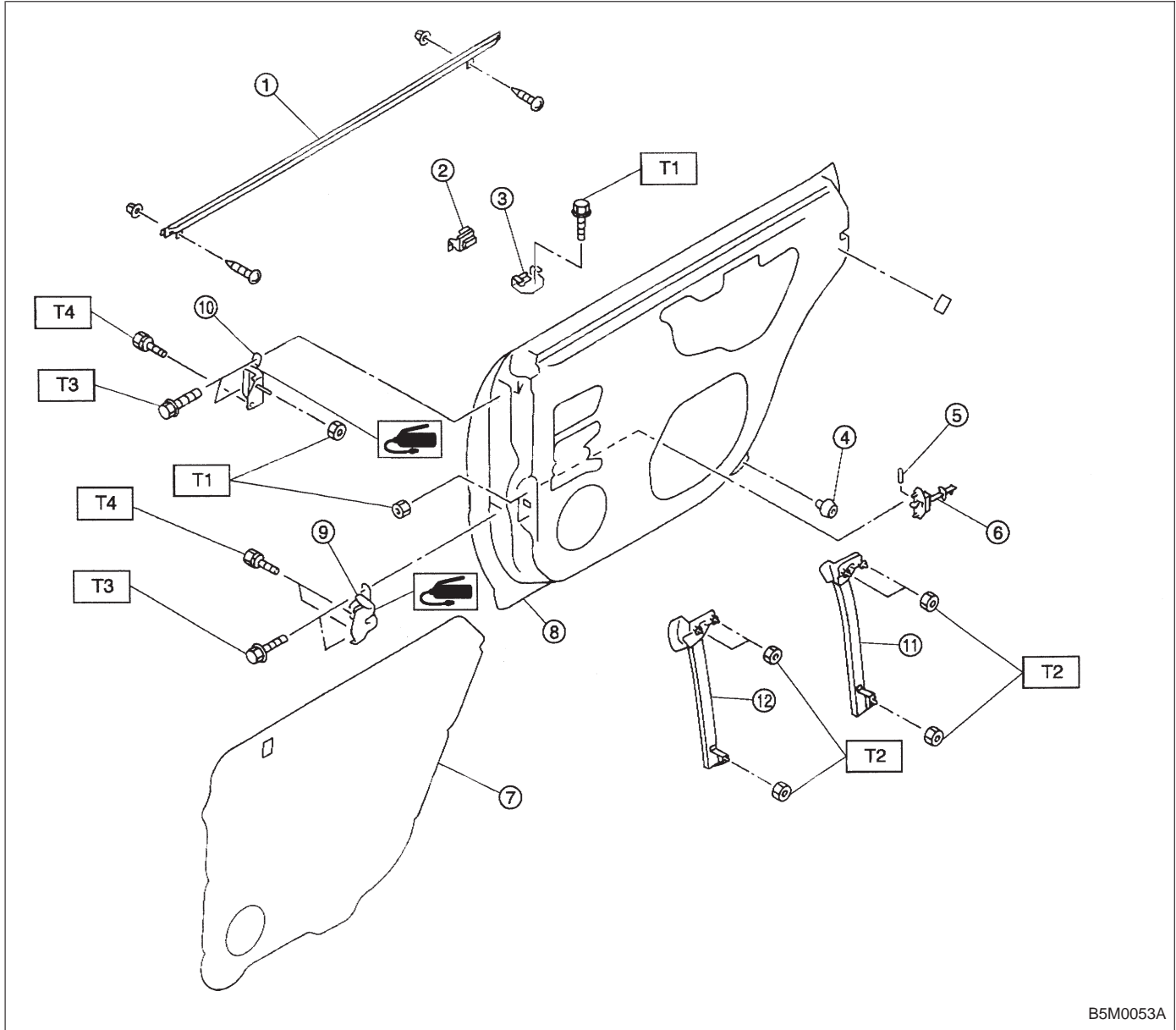


2. Rear Door



- ① Weatherstrip (Outer)
- ② Stabilizer (Outer)
- ③ Stabilizer (Inner)
- ④ Stopper
- ⑤ Knock pin
- ⑥ Checker
- ⑦ Seating cover
- ⑧ Door panel
- ⑨ Lower hinge
- ⑩ Upper hinge
- ⑪ Door sash (Rear)
- ⑫ Door sash (Front)

**Tightening torque: N·m (kg·m, ft·lb)**

**T1: 7.4±2.0 (0.75±0.2, 5.4±1.4)**

**T2: 14±4 (1.4±0.4, 10.1±2.9)**

**T3: 25±3 (2.5±0.3, 18.1±2.2)**

**T4: 29±5 (3.0±0.5, 21.7±3.6)**