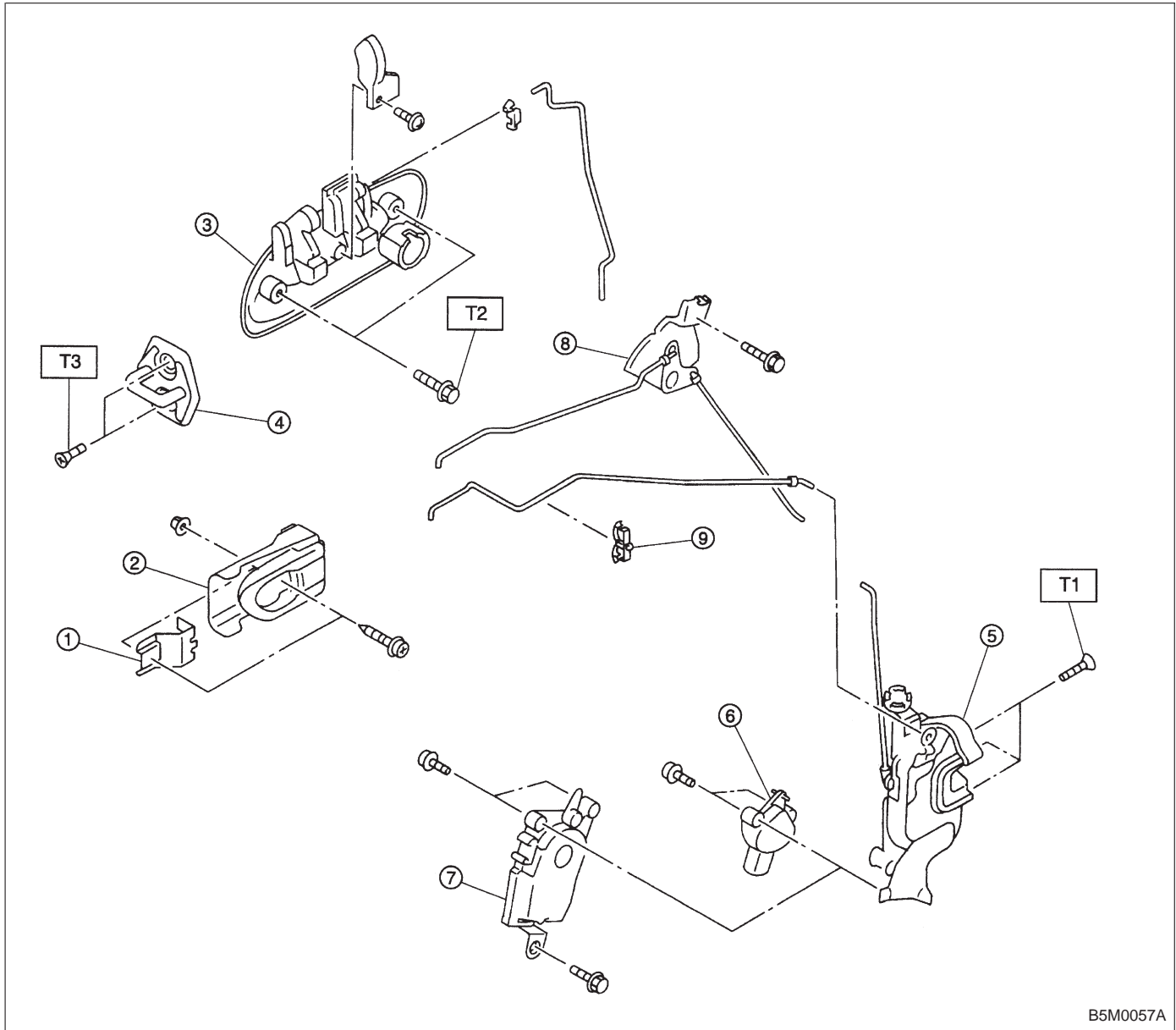


6. Door Lock Assembly

1. FRONT DOOR



- ① Holder remote
- ② Inner remote ASSY
- ③ Door outer handle
- ④ Striker
- ⑤ Door latch
- ⑥ Switch ASSY
- ⑦ Auto-door lock actuator
- ⑧ Bell crank
- ⑨ Rod holder

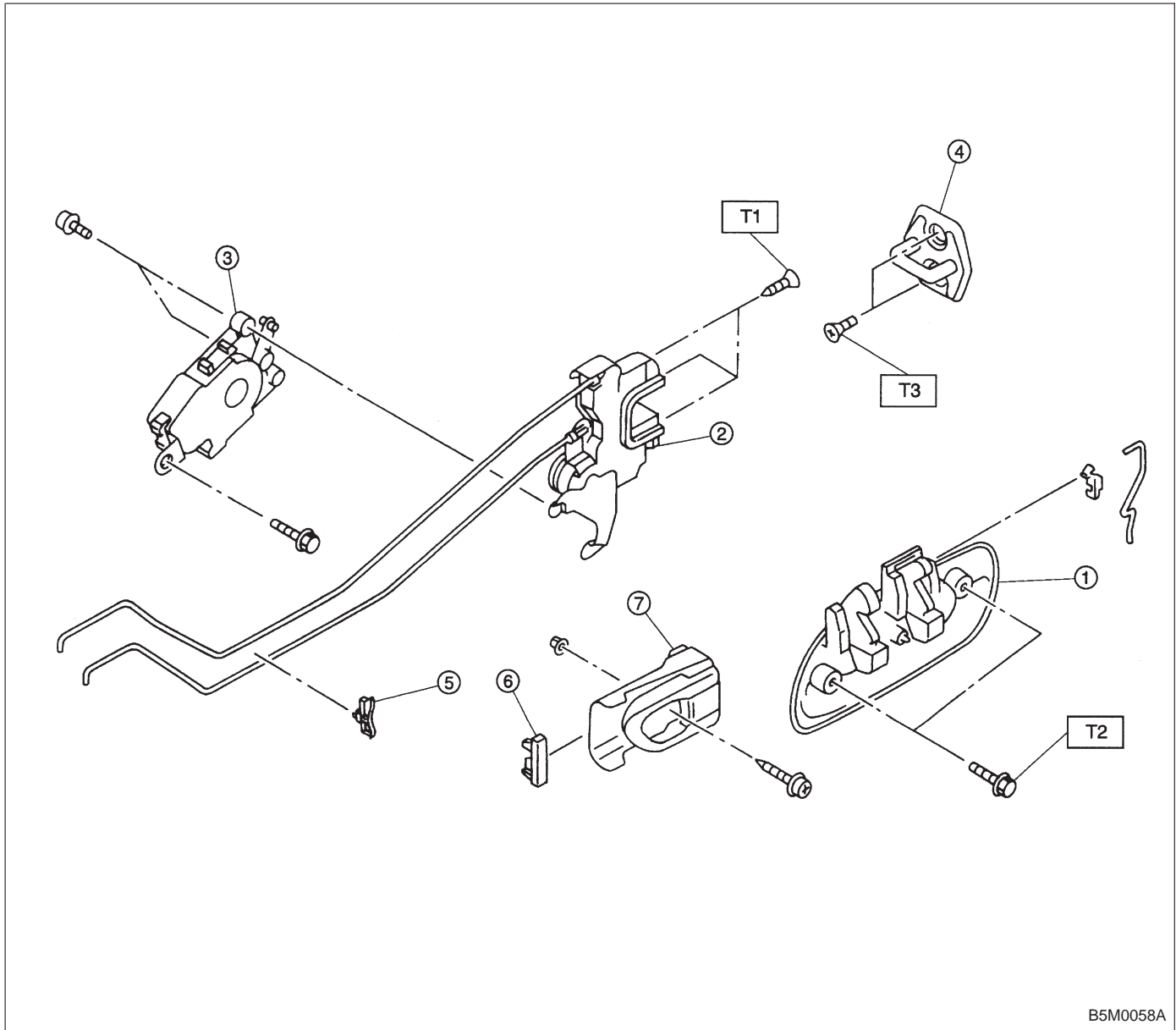
Tightening torque: N·m (kg·m, ft·lb)

T1: 6.4±2.0 (0.65±0.2, 4.7±1.4)

T2: 7.4±2.0 (0.75±0.2, 5.4±1.4)

T3: 14±4 (1.4±0.4, 10.1±2.9)

2. REAR DOOR



- ① Door outer handle
- ② Door latch
- ③ Door lock actuator
- ④ Striker
- ⑤ Rod holder
- ⑥ Holder remote
- ⑦ Inner remote ASSY

Tightening torque: N·m (kg·m, ft·lb)

T1: 6.4±2.0 (0.65±0.2, 4.7±1.4)

T2: 7.4±2.0 (0.75±0.2, 5.4±1.4)

T3: 14±4 (1.4±0.4, 10.1±2.9)