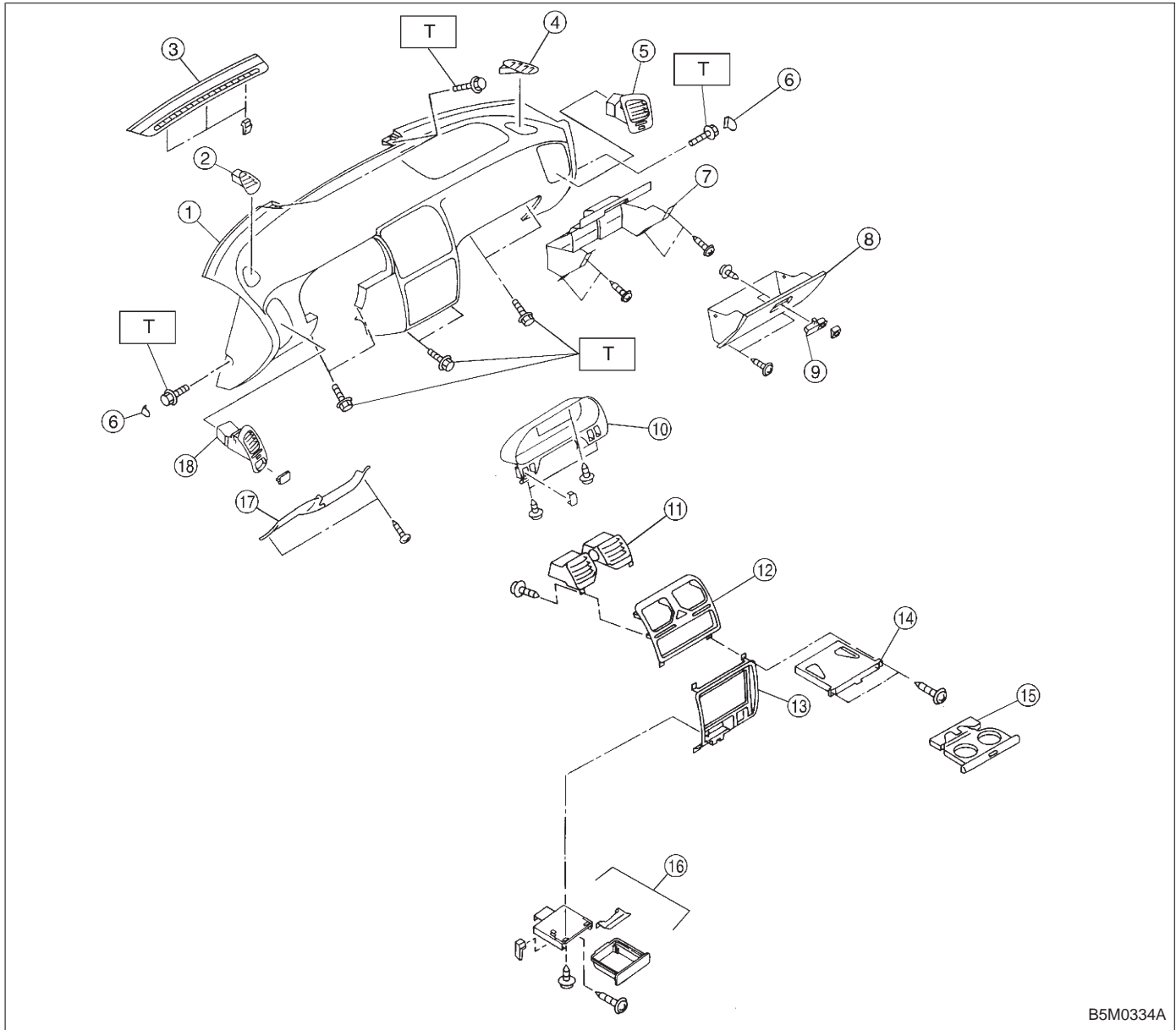


1. Instrument Panel

1. LHD MODEL



B5M0334A

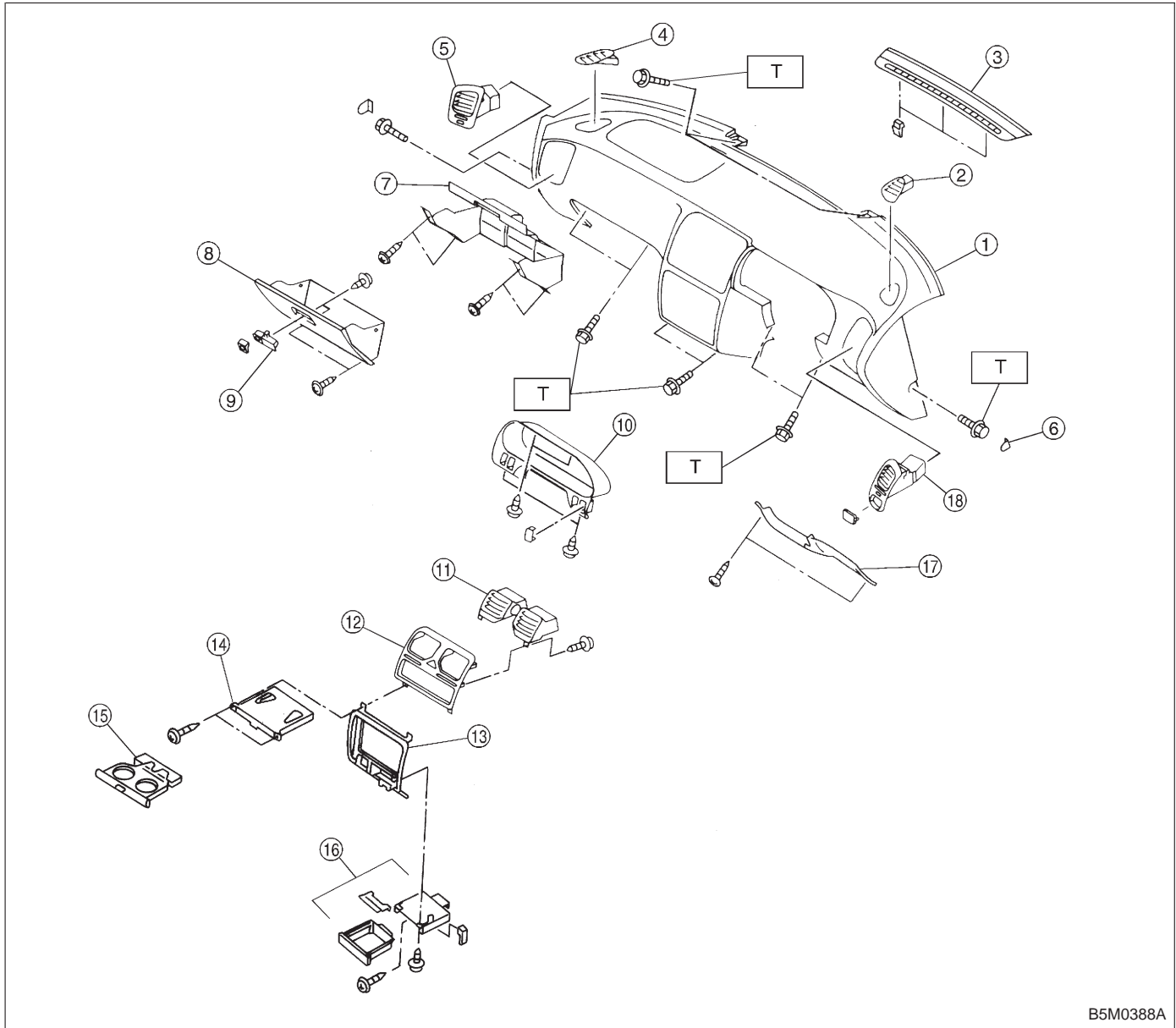
- ① Pad and frame
- ② Grille SD def. (D)
- ③ Front def. grille
- ④ Grille SD def. (P)
- ⑤ Grille vent (P)
- ⑥ Cover
- ⑦ Cover back panel
- ⑧ Pocket ASSY

- ⑨ Lock ASSY
- ⑩ Meter visor
- ⑪ Grille CTR vent.
- ⑫ Panel CTR upper
- ⑬ Panel CTR lower
- ⑭ Cup holder BRKT
- ⑮ Cup holder
- ⑯ Ash tray ASSY

- ⑰ Panel lower cover
- ⑱ Grille SD vent. (D)

**Tightening torque: N·m (kg·m, ft·lb)**  
**T: 7±1 (0.7±0.1, 5.1±0.7)**

2. RHD MODEL



B5M0388A

- ① Pad and frame
- ② Grille SD def. (D)
- ③ Front def. grille
- ④ Grille SD def. (P)
- ⑤ Grille vent. (P)
- ⑥ Cover
- ⑦ Cover back panel
- ⑧ Pocket ASSY

- ⑨ Lock ASSY
- ⑩ Meter visor
- ⑪ Grille CTR vent.
- ⑫ Panel CTR upper
- ⑬ Panel CTR lower
- ⑭ Cup holder BRKT
- ⑮ Cup holder
- ⑯ Ash tray ASSY

- ⑰ Panel lower cover
- ⑱ Grille SD vent. (D)

**Tightening torque: N·m (kg·m, ft·lb)**  
**T: 7±1 (0.7±0.1, 5.1±0.7)**