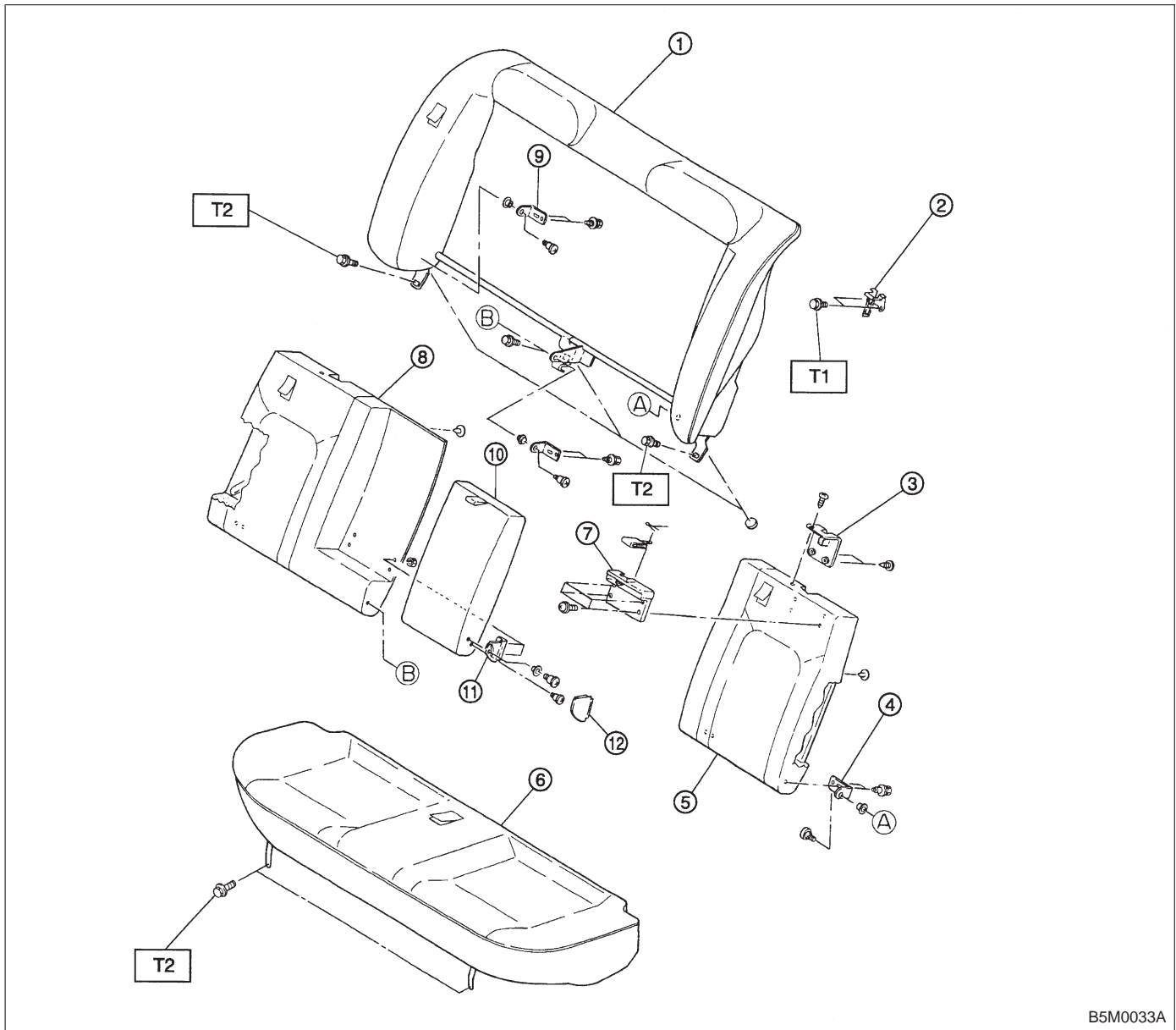


2. Rear Seat

1. SEDAN MODEL

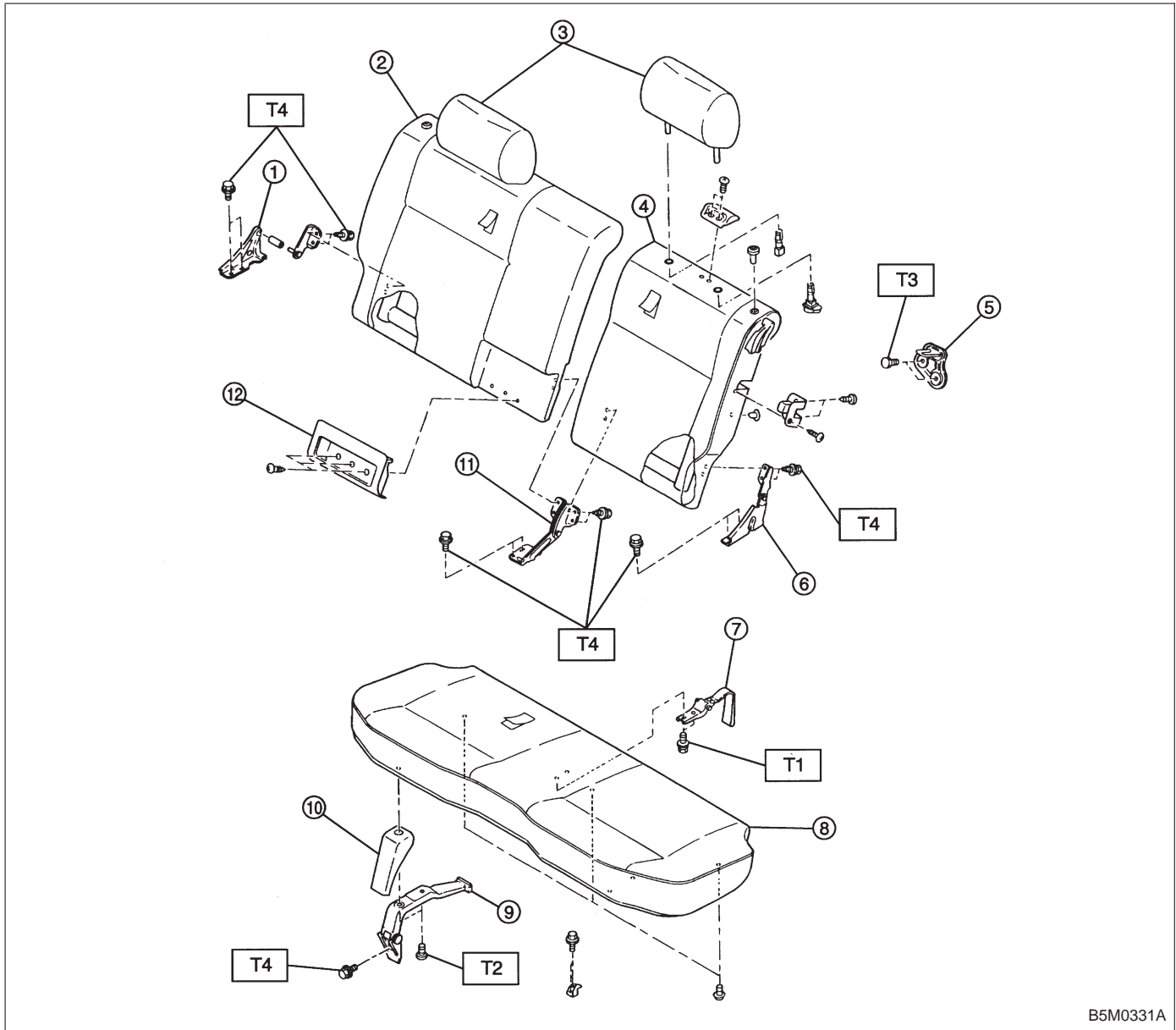


B5M0033A

- |                 |                 |
|-----------------|-----------------|
| ① Backrest      | ⑦ Lock ASSY     |
| ② Striker       | ⑧ Backrest (RH) |
| ③ Lock cover    | ⑨ Bracket (RH)  |
| ④ Bracket (LH)  | ⑩ Arm rest      |
| ⑤ Backrest (LH) | ⑪ Hinge         |
| ⑥ Cushion       | ⑫ Cover         |

**Tightening torque: N·m (kg·m, ft·lb)**  
**T1: 10±3 (1.0±0.3, 7.2±2.2)**  
**T2: 25±7 (2.5±0.7, 18.1±5.1)**

2. WAGON MODEL



B5M0331A

- |                      |                         |
|----------------------|-------------------------|
| ① Hinge bracket (RH) | ⑧ Rear cushion          |
| ② Backrest (RH)      | ⑨ Hinge                 |
| ③ Pillow             | ⑩ Hinge cover           |
| ④ Backrest (LH)      | ⑪ Backrest center hinge |
| ⑤ Striker            | ⑫ Pocket                |
| ⑥ Hinge bracket (LH) |                         |
| ⑦ Lock hinge         |                         |

**Tightening torque: N·m (kg·m, ft·lb)**

**T1: 2±1 (0.2±0.1, 1.4±0.7)**

**T2: 5.9±1.5**

**(0.6±0.15, 4.3±1.1)**

**T3: 10±3 (1.0±0.3, 7.2±2.2)**

**T4: 25±7 (2.5±0.7, 18.1±5.1)**