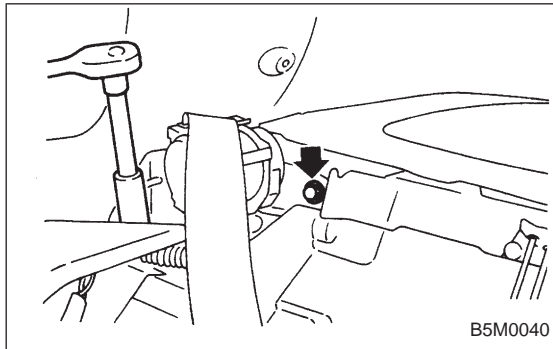


## 4. Rear Seat Belt

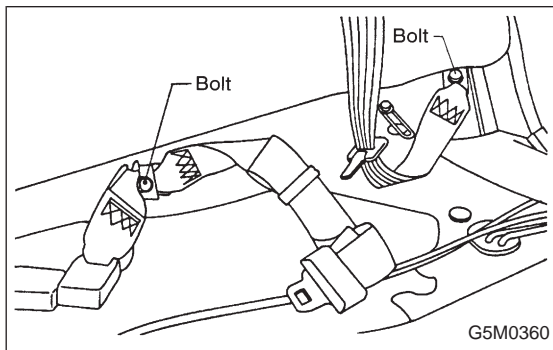
### A: REMOVAL AND INSTALLATION

#### 1. SEDAN MODEL

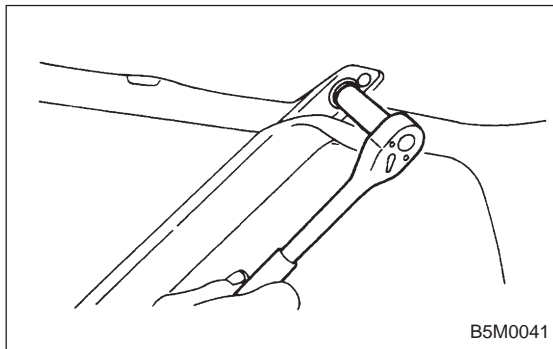
- 1) Remove rear cushion from vehicle.
- 2) Remove rear backrest from vehicle.
- 3) Remove rear pillar upper trim.
- 4) Remove outer anchor bolts.



- 5) Remove ELR.

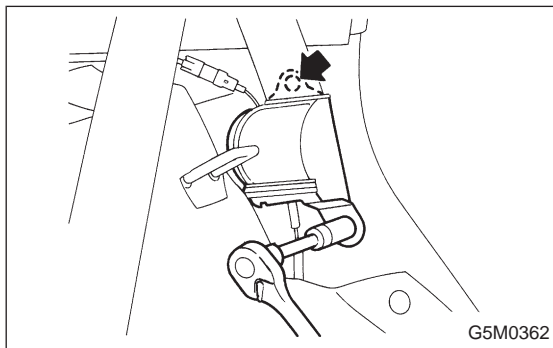


- 6) Remove anchor bolt of outer belt and then remove outer belt assembly.
- 7) Remove inner belt.
- 8) Installation is in the reverse order of removal.



#### 2. WAGON MODEL

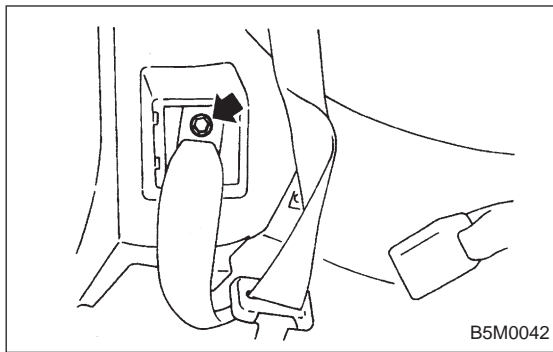
- 1) Raise rear cushion.
- 2) Remove shoulder anchor bolt.
- 3) Remove cap strut.
- 4) Remove rear quarter upper front trim.



- 5) Remove ELR assembly.

#### CAUTION:

Remove outer seat belt and center seat belt in similar manner used to remove those from Sedan model.

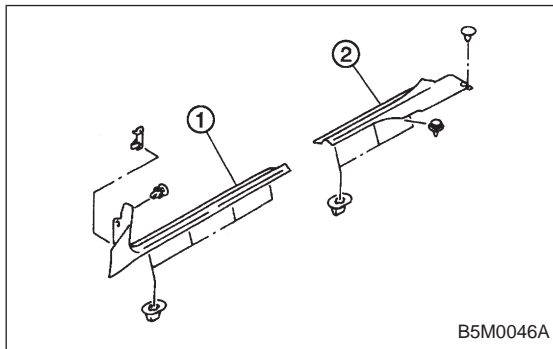


- 6) Remove lap anchor cover and then remove lower anchor bolt.
- 7) Remove outer belt assembly.

8) Installation is in the reverse order of removal. Ensure that seat belt is properly reeled on and off after installation of ELR.

**CAUTION:**

- Be extremely careful not to confuse center seat anchor plate with outer seat anchor plate during installation.
- Ensure that seat belts are free from twisting after installation.
- Ensure that tongues, buckles and belts are properly placed on seat.

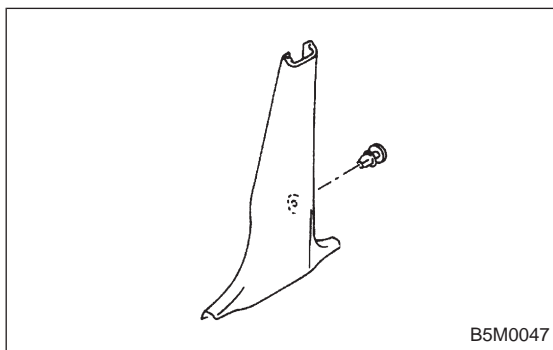


**5. Inner Trim Panel**

**A: REMOVAL AND INSTALLATION**

**1. SIDE SILL COVER**

- 1) Remove front pillar lower trim ①.
- 2) Remove side sill rear upper cover trim ②.



**2. CENTER PILLAR LOWER**

Remove center pillar lower trim.