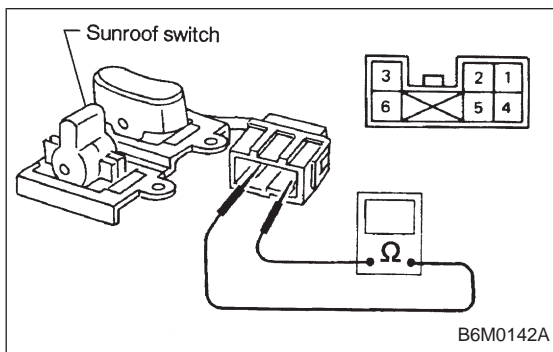
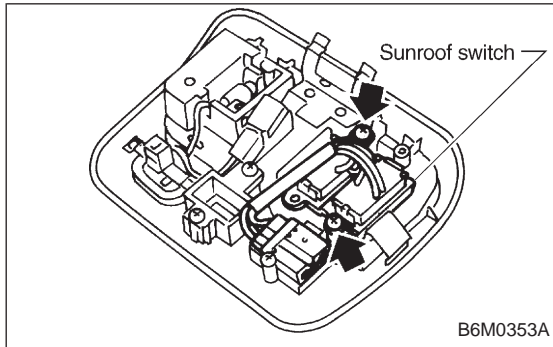


19. Sunroof

A: REMOVAL AND INSTALLATION

1. SUNROOF AND SUNROOF MOTOR

Refer to 5-1 [W16A0] as for removal and installation of sunroof system.



2. SUNROOF SWITCH

NOTE:

The sunroof switch is installed in spot light body.

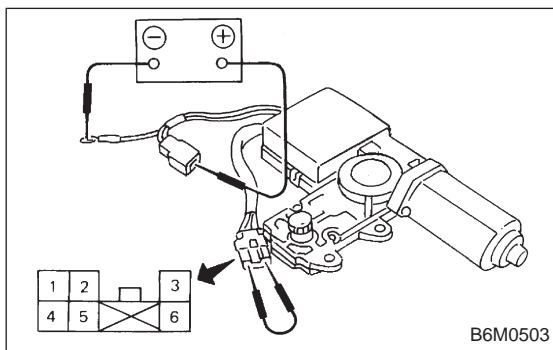
- 1) Pry spot light lens off using a screwdriver.
- 2) Remove screws which secure spot light body.
- 3) Remove spot light body while disconnecting connectors.
- 4) Remove screw which secures sunroof switch, and then remove sunroof switch.

B: INSPECTION

1. SUNROOF SWITCH

Set sunroof switch to each position and check continuity between terminals as indicated in table below:

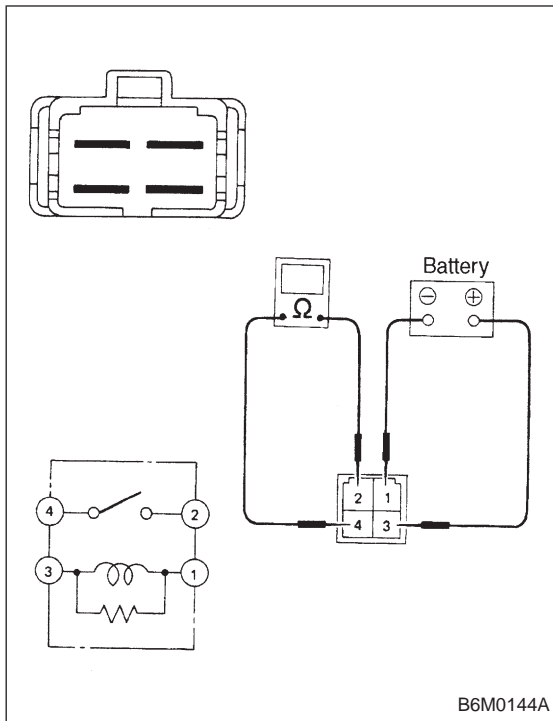
Terminal	4	3	6	5	2
Switch position					
Open	○	○			
Close	○		○		
Tilt up	○			○	
Tilt down	○				○



2. SUNROOF MOTOR

- 1) Apply battery voltage between 1-pin connector and body ground wire.
- 2) Make sure that sunroof motor moves when connecting terminals as described below:

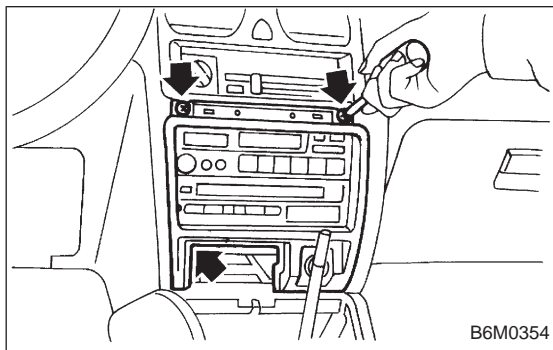
- Connect between terminals No. 3 and 4 (OPEN)
- Connect between terminals No. 6 and 4 (CLOSE)
- Connect between terminals No. 5 and 4 (TILT UP)
- Connect between terminals No. 2 and 4 (TILT DOWN)



3. SUNROOF RELAY

Check continuity between terminals as indicated in table below, when battery voltage is applied between terminals No. 1 and No. 3.

When current flows.	Between terminals No. 2 and No. 4	Continuity exists.
When current does not flow.	Between terminals No. 2 and No. 4	Continuity does not exist.
	Between terminals No. 1 and No. 3	Continuity exists.

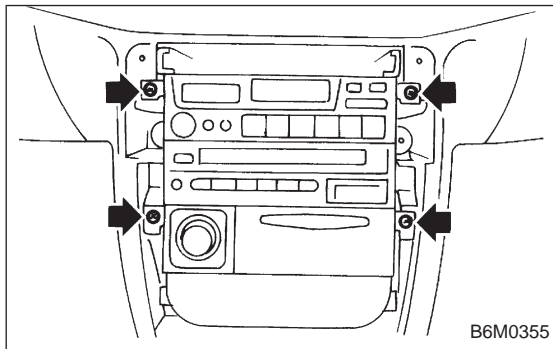


20. Radio, Speaker and Antenna

A: REMOVAL AND INSTALLATION

1. RADIO BODY

- 1) Remove hand brake cover.
- 2) Remove console cover.
- 3) Remove screws which secure center panel. Remove center panel.
- 4) Remove fitting screws, and slightly pull radio out of instrument panel.
- 5) Disconnect connectors and antenna feeder cord.



2. FRONT SPEAKER

- 1) Remove gusset speaker from behind the rearview mirror while disconnecting connector.
- 2) Remove door trim panel. <Ref. to 5-2 [W2A2].>

