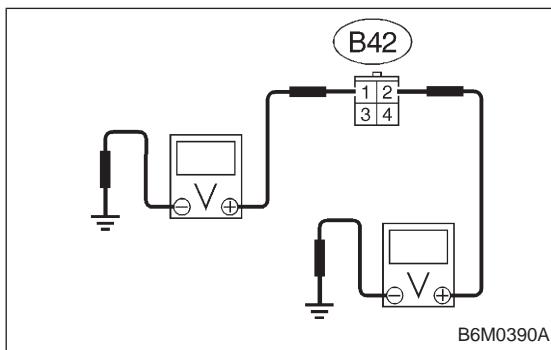
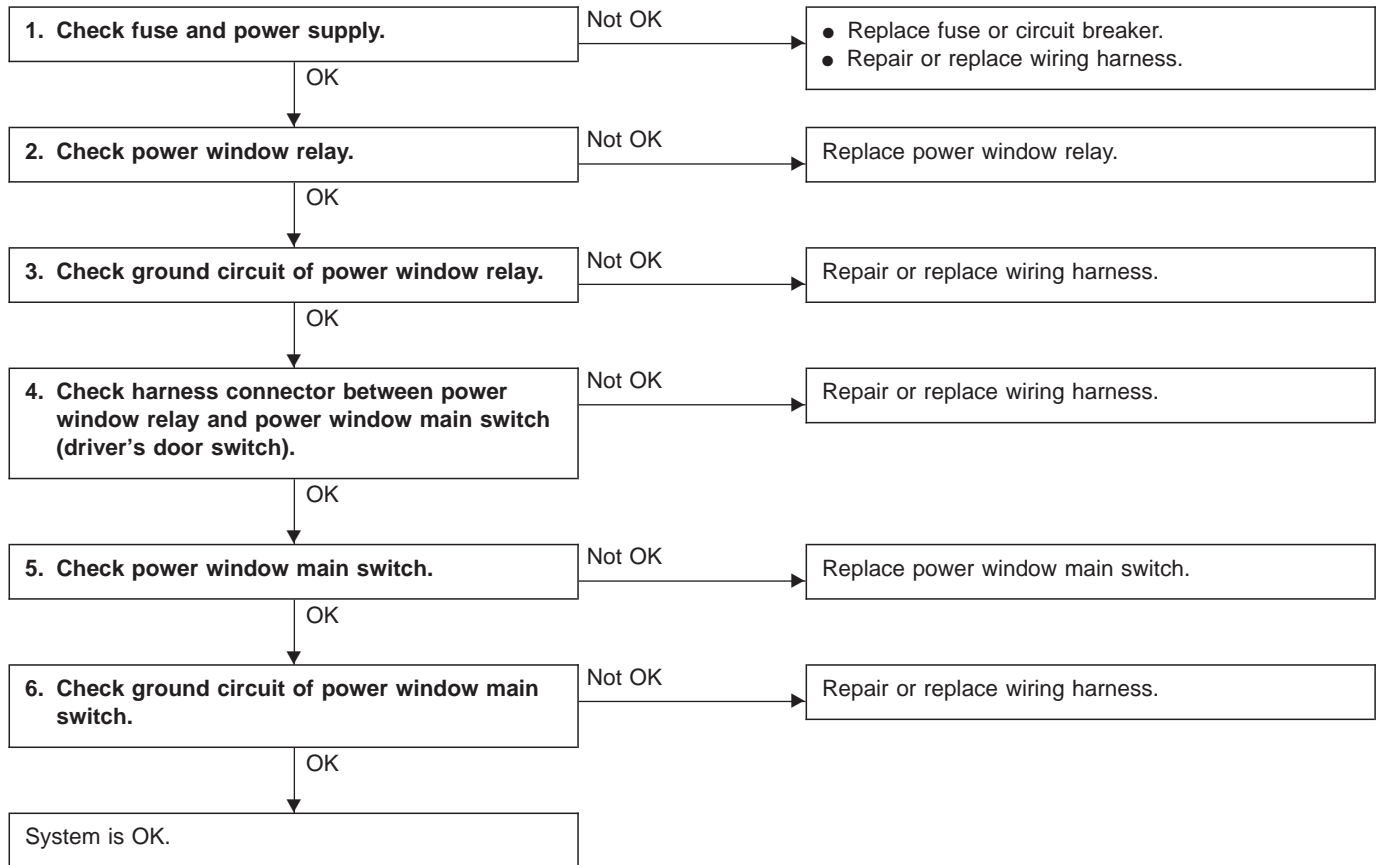


## 4. Power Window

### A: DIAGNOSTICS PROCEDURE-1

Trouble symptom A: All door windows do not operate.

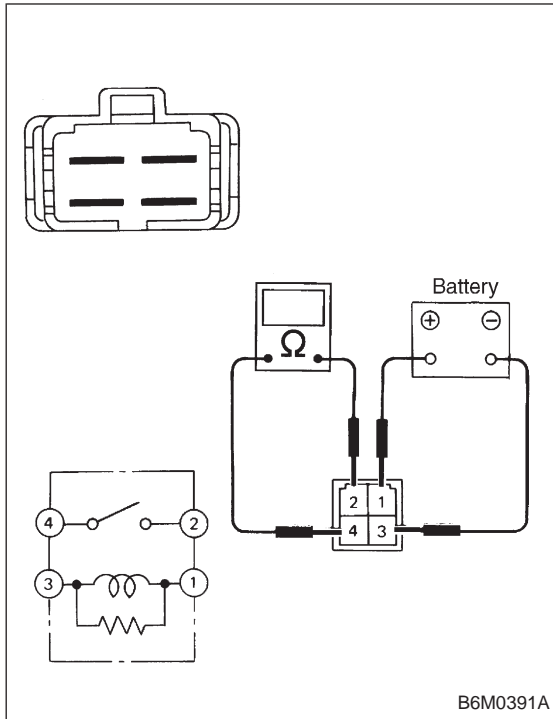


#### 1. CHECK FUSE AND POWER SUPPLY.

- 1) Check fuse No. 15.
- 2) Disconnect connector of power window relay.
- 3) Turn ignition switch to ON.
- 4) Measure voltage between power window relay connector and body.

#### **Connector & terminal / Specified voltage:**

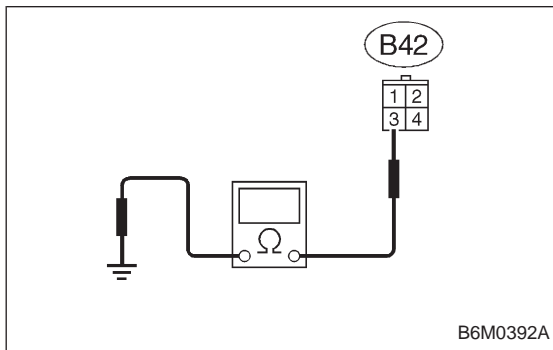
- (B42) No. 1 — Body / 10 V, or more**  
**(B42) No. 2 — Body / 10 V, or more**



## 2. CHECK POWER WINDOW RELAY.

- 1) Disconnect connector of power window relay.
- 2) Connect battery to terminal No. 1 and ground terminal No. 3.
- 3) Check continuity between terminals as indicated in table below:

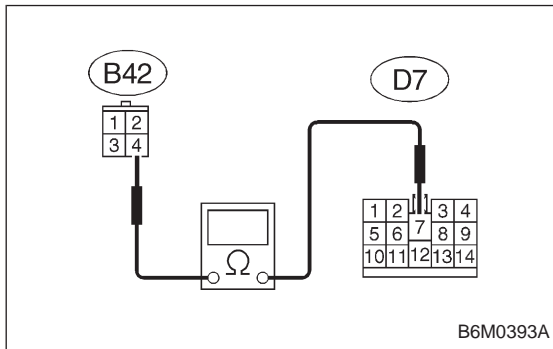
When current flows.	Between terminals No. 2 and No. 4	Continuity exists.
When current does not flow.	Between terminals No. 2 and No. 4	Continuity does not exist.
	Between terminals No. 1 and No. 3	Continuity exists.



## 3. CHECK GROUND CIRCUIT OF POWER WINDOW RELAY.

- 1) Disconnect connector of power window relay.
- 2) Measure resistance of harness connector between power window relay and body.

**Connector & terminal / Specified resistance:**  
**(B42) No. 3 — Body / 10 Ω, max.**



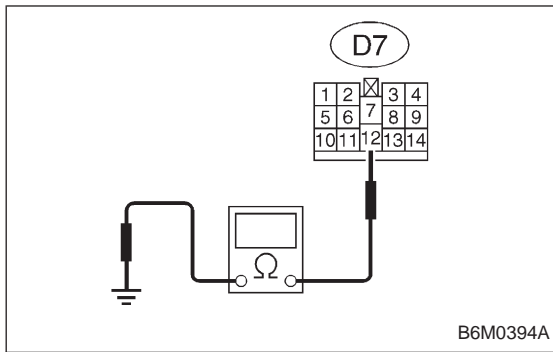
## 4. CHECK HARNESS CONNECTOR BETWEEN POWER WINDOW RELAY AND POWER WINDOW MAIN SWITCH (DRIVER'S DOOR SWITCH).

- 1) Disconnect connectors of power window relay and power window main switch.
- 2) Measure resistance of harness connector between power window relay and power window main switch.

**Connector & terminal / Specified resistance:**  
**(B42) No. 4 — (D7) No. 7 / 10 Ω, max.**

## 5. CHECK POWER WINDOW MAIN SWITCH.

Refer to 6-2 [W16B1] for inspection of power window main switch.



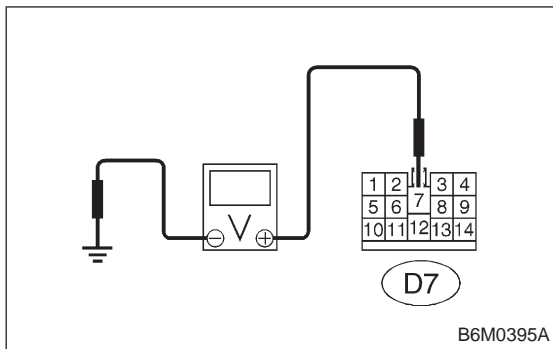
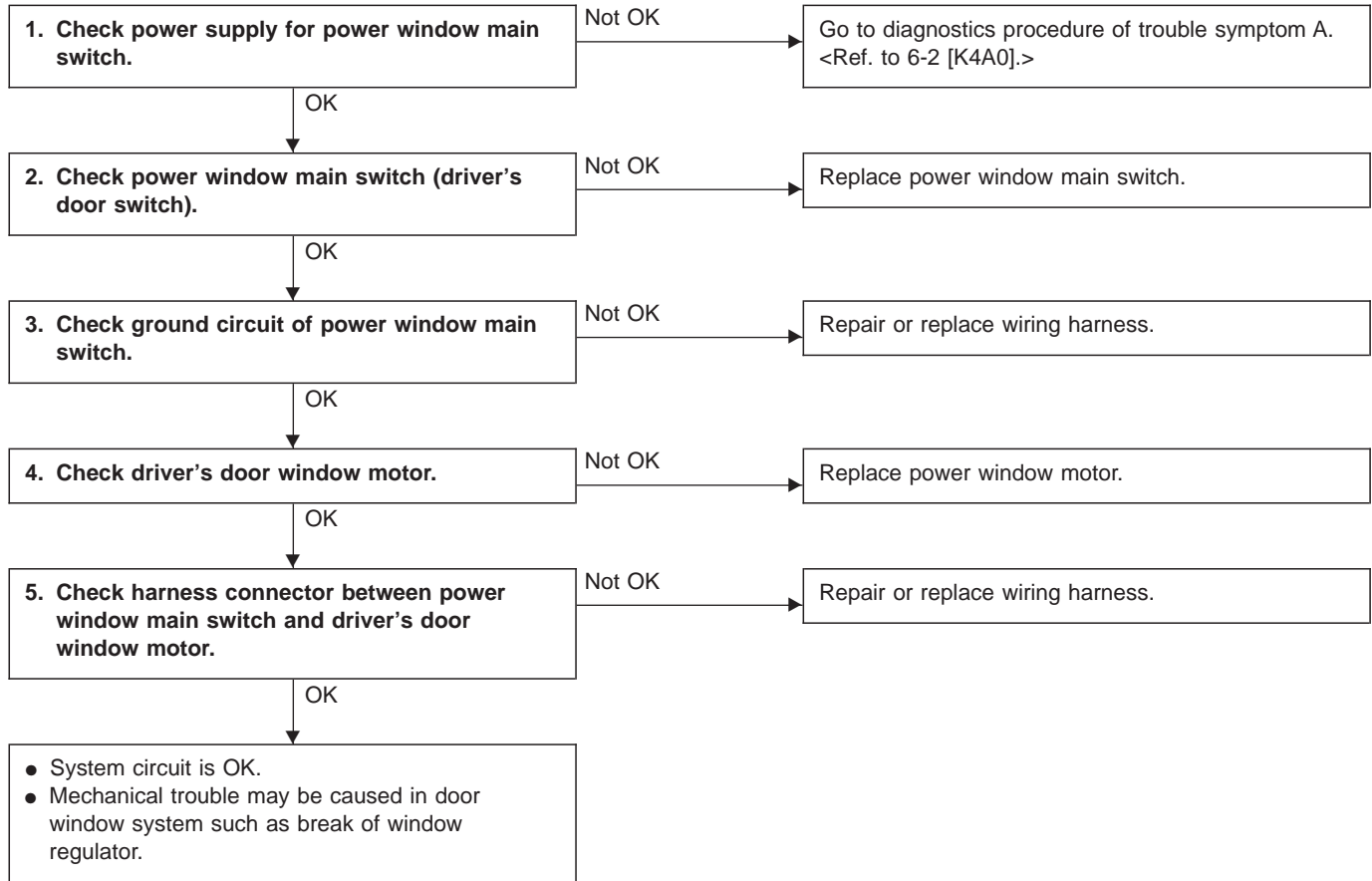
### 6. CHECK GROUND CIRCUIT OF POWER WINDOW MAIN SWITCH.

- 1) Disconnect connector of power window main switch.
- 2) Measure resistance of harness connector between power window main switch and body.

**Connector & terminal / Specified resistance:**  
**(D7) No. 12 — Body / 10 Ω, max.**

**B: DIAGNOSTICS PROCEDURE-2**

Trouble symptom B: Only driver's door window does not operate.

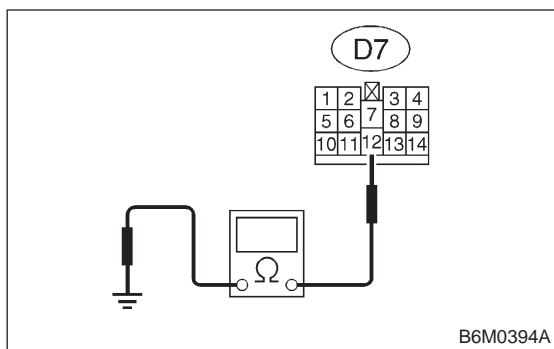
**1. CHECK POWER SUPPLY FOR POWER WINDOW MAIN SWITCH.**

- 1) Disconnect connector of power window main switch.
- 2) Turn ignition switch to ON.
- 3) Measure voltage between power window main switch connector and body.

**Connector & terminal / Specified voltage:**  
**(D7) No. 7 — Body / 10 V, or more**

**2. CHECK POWER WINDOW MAIN SWITCH (DRIVER'S DOOR SWITCH).**

Refer to 6-2 [W16B1] for inspection of power window main switch.



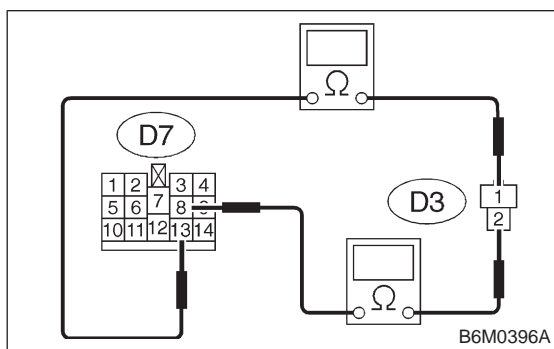
### 3. CHECK GROUND CIRCUIT OF POWER WINDOW MAIN SWITCH.

- 1) Disconnect connector of power window main switch.
- 2) Measure resistance of harness connector between power window main switch and body.

**Connector & terminal / Specified resistance:**  
**(D7) No. 12 — Body / 10 Ω, max.**

### 4. CHECK DRIVER'S DOOR WINDOW MOTOR.

- 1) Disconnect connector of power window motor (driver's door).
- 2) Make sure that power window motor rotates properly when battery voltage is applied to terminals of motor connector.
- 3) Change polarity of battery connections to terminals to ensure that motor rotates in reverse direction.



### 5. CHECK HARNESS CONNECTOR BETWEEN POWER WINDOW MAIN SWITCH AND DRIVER'S DOOR WINDOW MOTOR.

- 1) Disconnect connectors of power window main switch and power window motor (driver's door).
- 2) Measure resistance of harness connector between power window main switch and power window motor.

**Connector & terminal / Specified resistance:**

**LHD model:**

**(D7) No. 8 — (D3) No. 2 / 10 Ω, max.**

**(D7) No. 13 — (D3) No. 1 / 10 Ω, max.**

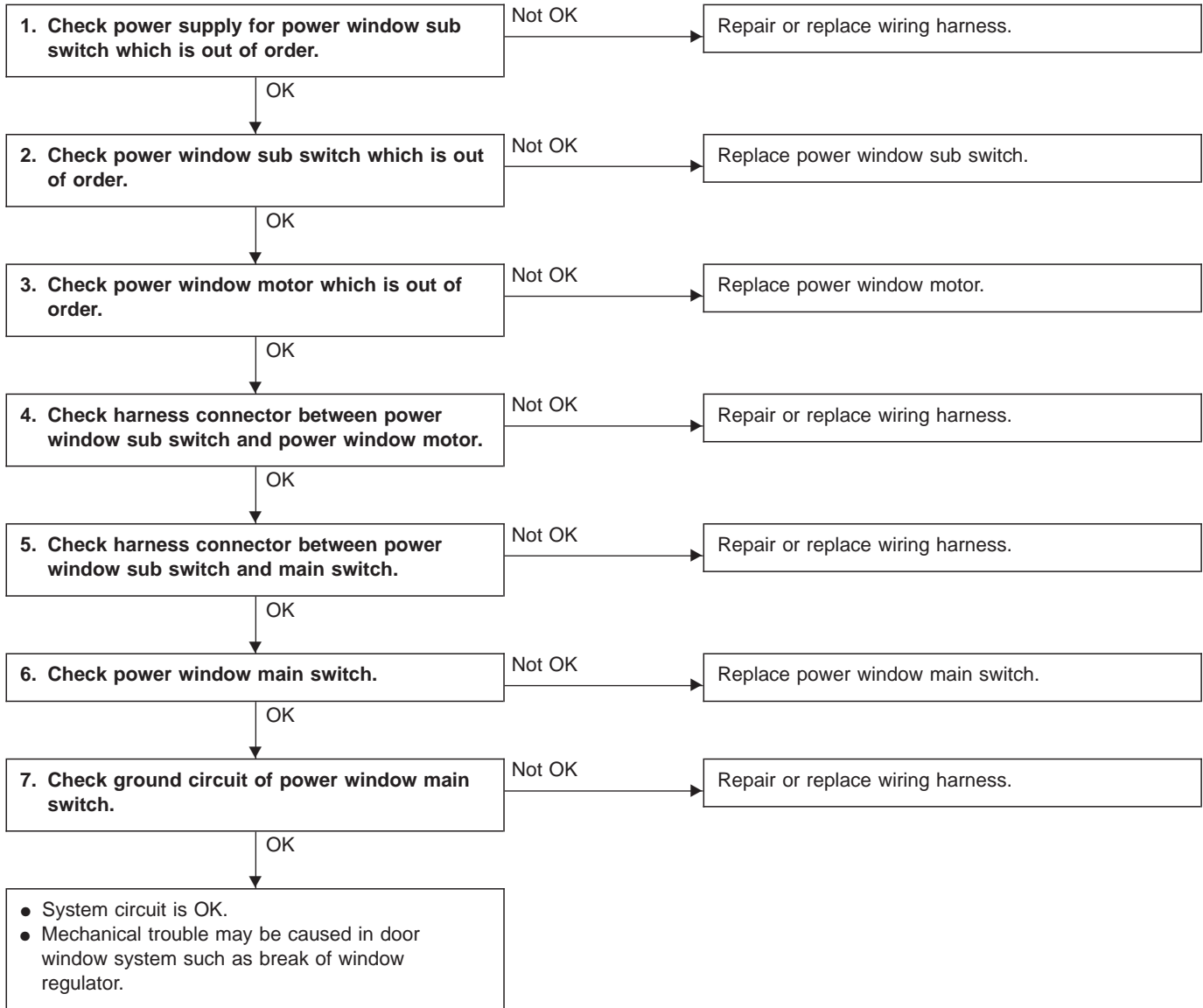
**RHD model:**

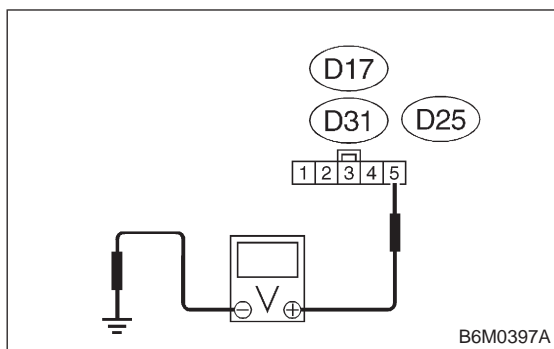
**(D7) No. 6 — (D3) No. 2 / 10 Ω, max.**

**(D7) No. 11 — (D3) No. 1 / 10 Ω, max.**

**C: DIAGNOSTICS PROCEDURE-3**

Trouble symptom C: One or more of passenger's door window do not operate.





### 1. CHECK POWER SUPPLY FOR POWER WINDOW SUB SWITCH WHICH IS OUT OF ORDER.

- 1) Disconnect connector of power window sub switch.
- 2) Turn ignition switch to ON.
- 3) Measure voltage between power window sub switch connector and body.

#### **Connector & terminal / Specified voltage:**

(D17) No. 5 — Body / 10 V, or more

(Front passenger)

(D31) No. 5 — Body / 10 V, or more (Rear RH)

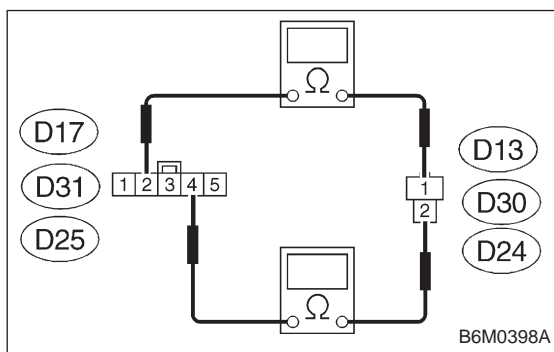
(D25) No. 5 — Body / 10 V, or more (Rear LH)

### 2. CHECK POWER WINDOW SUB SWITCH WHICH IS OUT OF ORDER.

Refer to 6-2 [W16B2] for inspection of power window sub switch.

### 3. CHECK POWER WINDOW MOTOR WHICH IS OUT OF ORDER.

- 1) Disconnect connector of power window motor.
- 2) Make sure that power window motor rotates properly when battery voltage is applied to terminals of motor connector.
- 3) Change polarity of battery connections to terminals to ensure that motor rotates in reverse direction.



### 4. CHECK HARNESS CONNECTOR BETWEEN POWER WINDOW SUB SWITCH AND POWER WINDOW MOTOR.

- 1) Disconnect connectors of power window sub switch and power window motor.
- 2) Measure resistance of harness connector between power window sub switch and power window motor.

#### **Connector & terminal / Specified resistance:**

(D17) No. 2 — (D13) No. 1 / 10 Ω, max.

(Front passenger)

(D17) No. 4 — (D13) No. 2 / 10 Ω, max.

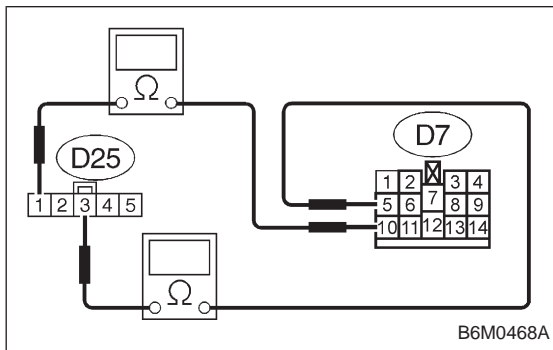
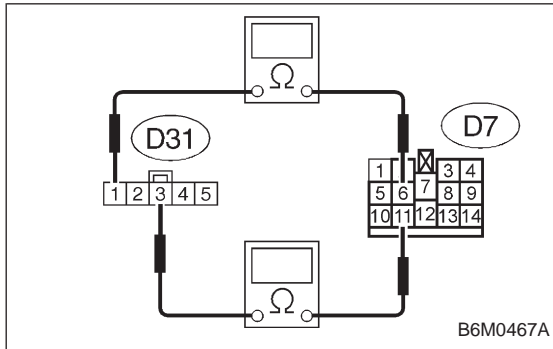
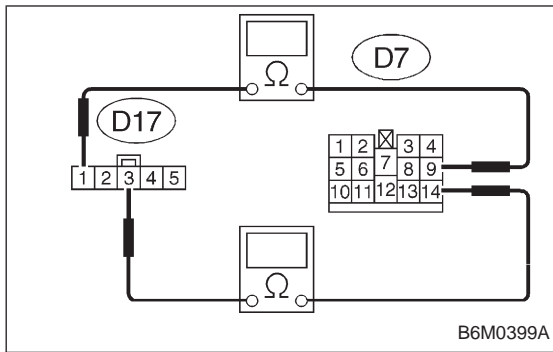
(Front passenger)

(D31) No. 2 — (D30) No. 1 / 10 Ω, max. (Rear RH)

(D31) No. 4 — (D30) No. 2 / 10 Ω, max. (Rear RH)

(D25) No. 2 — (D24) No. 1 / 10 Ω, max. (Rear LH)

(D25) No. 4 — (D24) No. 2 / 10 Ω, max. (Rear LH)



### 5. CHECK HARNESS CONNECTOR BETWEEN POWER WINDOW SUB SWITCH AND MAIN SWITCH.

- 1) Disconnect connectors of power window sub switch and main switch.
- 2) Measure resistance of harness connector between power window sub switch and main switch.

#### Connector & terminal / Specified resistance:

##### LHD model:

(D17) No. 1 — (D7) No. 9 / 10  $\Omega$ , max.

(Front passenger)

(D17) No. 3 — (D7) No. 14 / 10  $\Omega$ , max.

(Front passenger)

(D31) No. 1 — (D7) No. 6 / 10  $\Omega$ , max. (Rear RH)

(D31) No. 3 — (D7) No. 11 / 10  $\Omega$ , max. (Rear RH)

(D25) No. 1 — (D7) No. 10 / 10  $\Omega$ , max. (Rear LH)

(D25) No. 3 — (D7) No. 5 / 10  $\Omega$ , max. (Rear LH)

##### RHD model:

(D17) No. 1 — (D7) No. 10 / 10  $\Omega$ , max.

(Front passenger)

(D17) No. 3 — (D7) No. 5 / 10  $\Omega$ , max.

(Front passenger)

(D31) No. 1 — (D7) No. 9 / 10  $\Omega$ , max. (Rear RH)

(D31) No. 3 — (D7) No. 14 / 10  $\Omega$ , max. (Rear RH)

(D25) No. 1 — (D7) No. 13 / 10  $\Omega$ , max. (Rear LH)

(D25) No. 3 — (D7) No. 8 / 10  $\Omega$ , max. (Rear LH)

### 6. CHECK POWER WINDOW MAIN SWITCH.

Refer to 6-2 [W16B1] for inspection of power window main switch.

### 7. CHECK GROUND CIRCUIT OF POWER WINDOW MAIN SWITCH.

- 1) Disconnect connector of power window main switch.
- 2) Measure resistance of harness connector between power window main switch and body.

#### Connector & terminal / Specified resistance:

(D7) No. 12 — Body / 10  $\Omega$ , max.

