

B: INSPECTION

Using accurate tester, inspect the following items, and replace if defective.

- 1) Primary resistance
- 2) Secondary coil resistance

CAUTION:

If the resistance is extremely low, this indicates the presence of a short-circuit.

Specified resistance:

[Primary side]

Between ① and ②

Between ③ and ④

0.69 Ω±10%

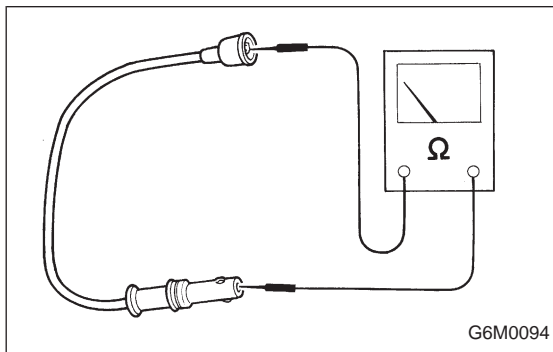
[Secondary side]

Between terminal No. 1 and No. 2

Between terminal No. 2 and No. 3

21.0 kΩ±15%

- 3) Insulation between primary terminal and case: 10 MΩ or more.



5. Spark Plug Cord

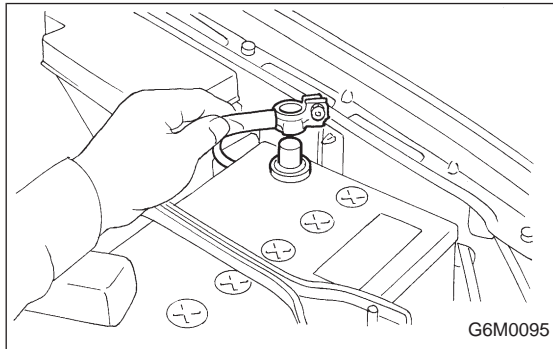
A: INSPECTION

Check for:

- 1) Damage to cords, deformation, burning or rust formation of terminals
- 2) Resistance values of cords

Resistance value:

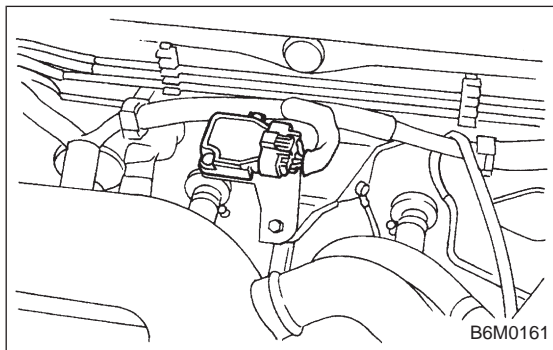
5.12 — 12.34 kΩ



6. Ignitor

A: REMOVAL AND INSTALLATION

- 1) Disconnect battery ground cable.



- 2) Disconnect connector from ignitor.
- 3) Remove screws which hold ignitor onto body.
- 4) Installation is in the reverse order of removal.