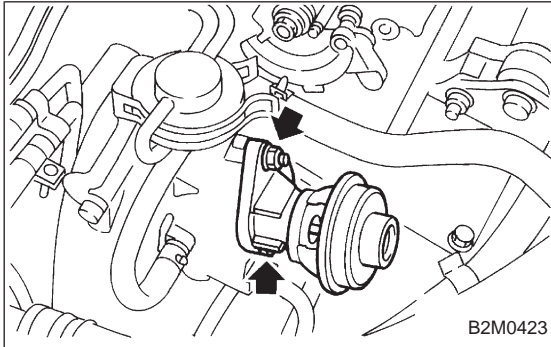


4) Installation is in the reverse order of removal.

Tightening torque:

$16 \pm 1.5 \text{ N}\cdot\text{m}$ ($1.6 \pm 0.15 \text{ kg}\cdot\text{m}$, $11.6 \pm 1.1 \text{ ft}\cdot\text{lb}$)



5. EGR Valve

A: REMOVAL AND INSTALLATION

- 1) Disconnect vacuum hose from EGR valve.
- 2) Remove bolts which install EGR valve onto intake manifold.

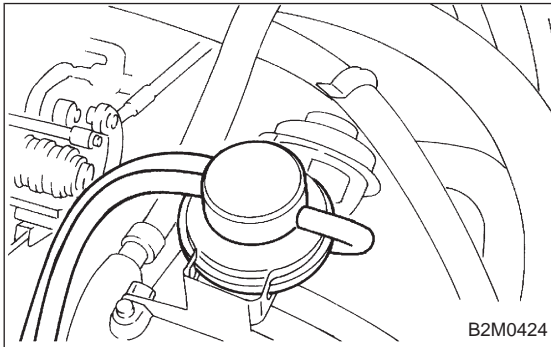
3) Installation is in the reverse order of removal.

CAUTION:

Replace gasket with a new one.

Tightening torque:

$17.1 - 20.1 \text{ N}\cdot\text{m}$ ($1.74 - 2.05 \text{ kg}\cdot\text{m}$, $12.6 - 14.8 \text{ ft}\cdot\text{lb}$)



6. Back-Pressure Transducer (BPT)

A: REMOVAL AND INSTALLATION

- 1) Disconnect vacuum hoses from BPT.
- 2) Remove BPT from bracket.
- 3) Installation is in the reverse order of removal.