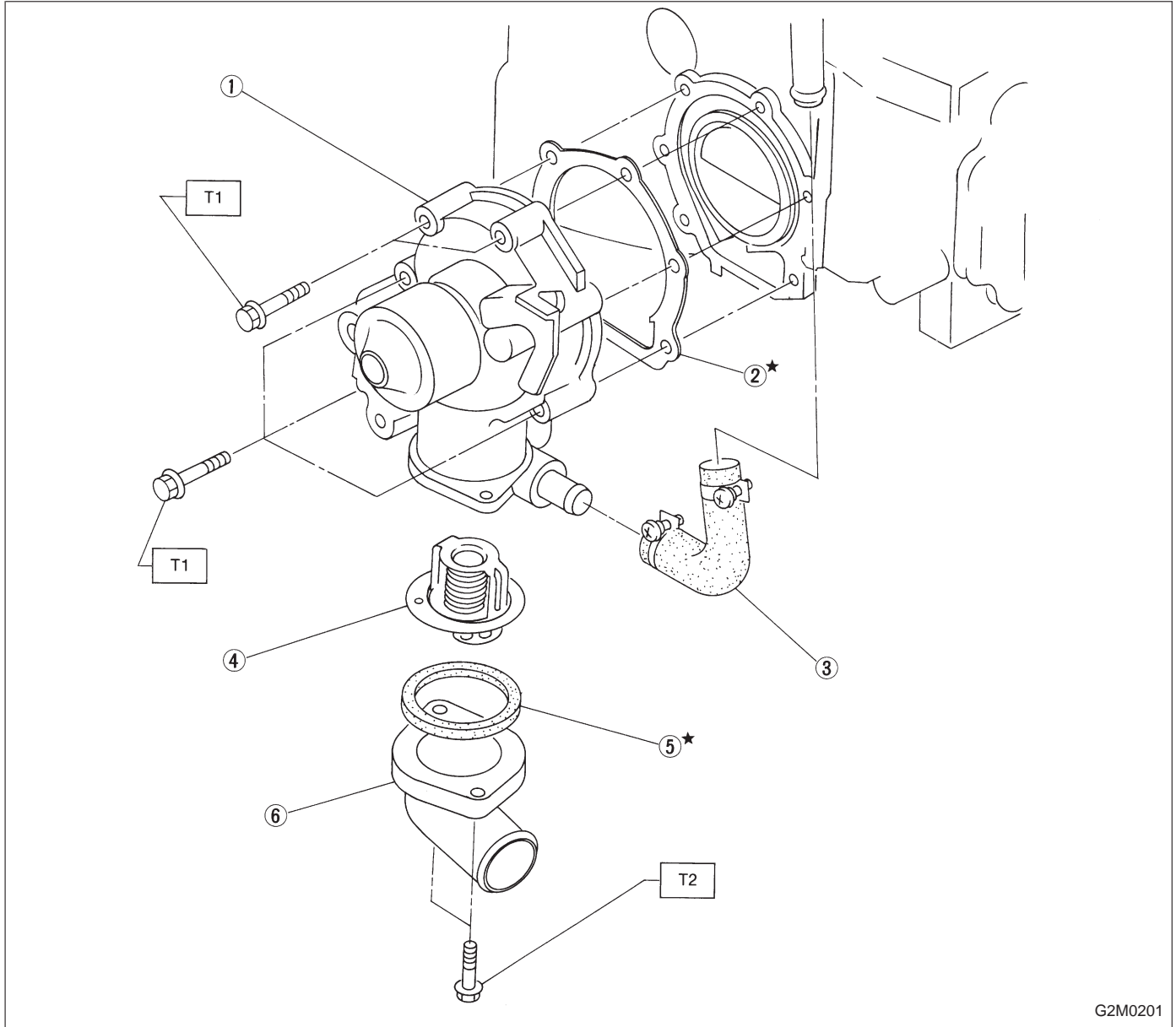


1. Engine Coolant Pump



- ① Engine coolant pump ASSY
- ② Gasket
- ③ Heater hose
- ④ Thermostat
- ⑤ Gasket
- ⑥ Thermostat case

Tightening torque: N·m (kg-m, ft-lb)

T1: First 10^{+4}_{-0} (1.0^{+0.4}, 7.2^{+2.9})

Second 10^{+4}_{-0} (1.0^{+0.4}, 7.2^{+2.9})

T2: 6.4 ± 0.5 (0.65 \pm 0.05, 4.7 \pm 0.4)