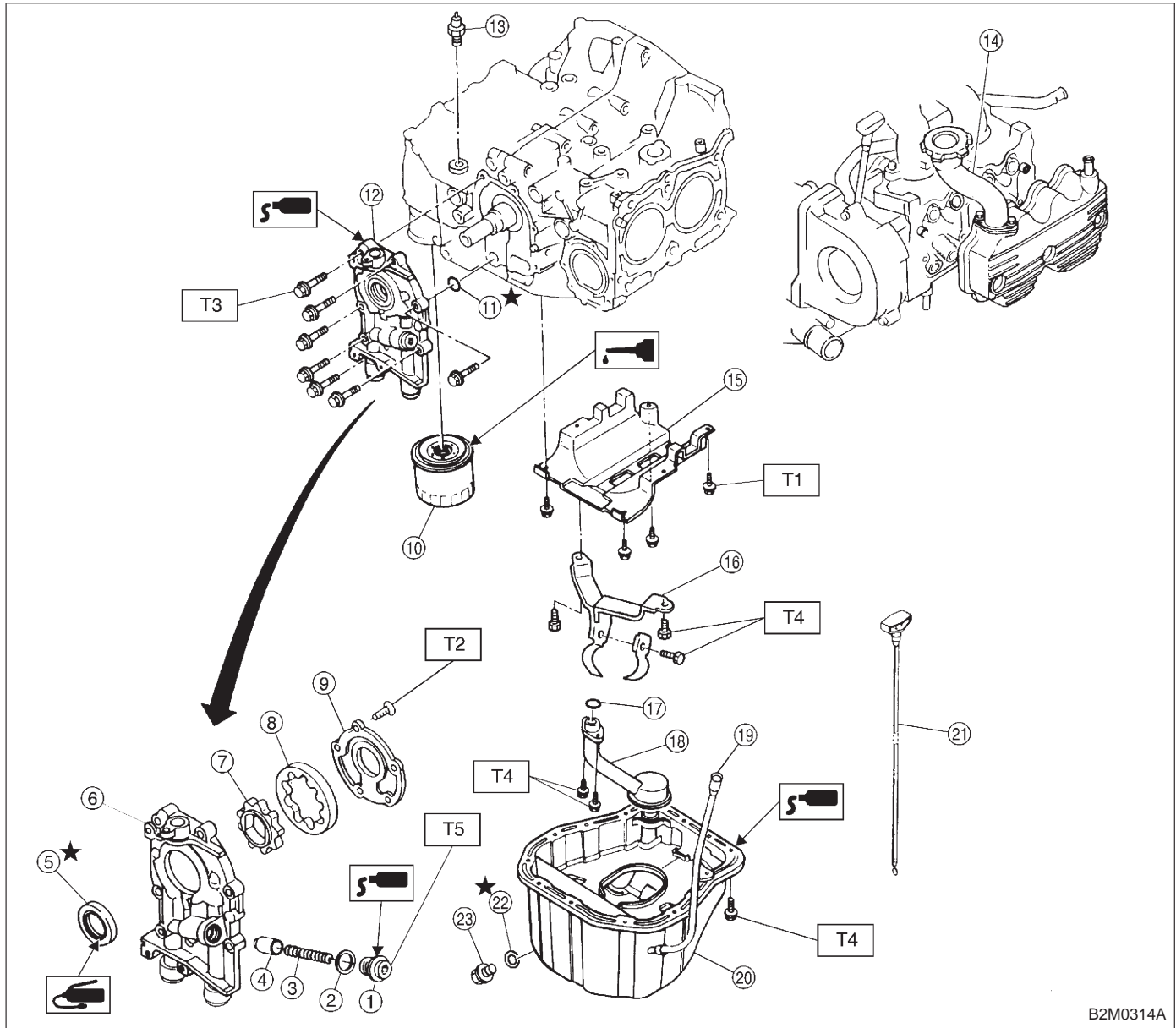


1. Lubrication System



B2M0314A

- ① Plug
- ② Washer
- ③ Relief valve spring
- ④ Relief valve
- ⑤ Oil seal
- ⑥ Oil pump case
- ⑦ Inner rotor
- ⑧ Outer rotor
- ⑨ Oil pump cover
- ⑩ Oil filter
- ⑪ O-ring
- ⑫ Oil pump ASSY
- ⑬ Oil pressure switch
- ⑭ Oil filler duct

- ⑮ Baffle plate
- ⑯ Oil strainer stay
- ⑰ O-ring
- ⑱ Oil strainer
- ⑲ Oil level gauge guide
- ⑳ Oil pan
- ㉑ Oil level gauge
- ㉒ Washer
- ㉓ Drain plug

**Tightening torque: N·m (kg·m, ft·lb)**

**T1: 5 (0.5, 3.6)**

**T2:  $5_{-0}^{+1}$  ( $0.5_{-0}^{+0.1}$ ,  $3.6_{-0}^{+0.7}$ )**

**T3: 6.4 (0.65, 4.7)**

**T4: 9.8 (1.0, 7.0)**

**T5:  $44.1 \pm 3.4$  ( $4.5 \pm 0.35$ ,  $32.5 \pm 2.5$ )**