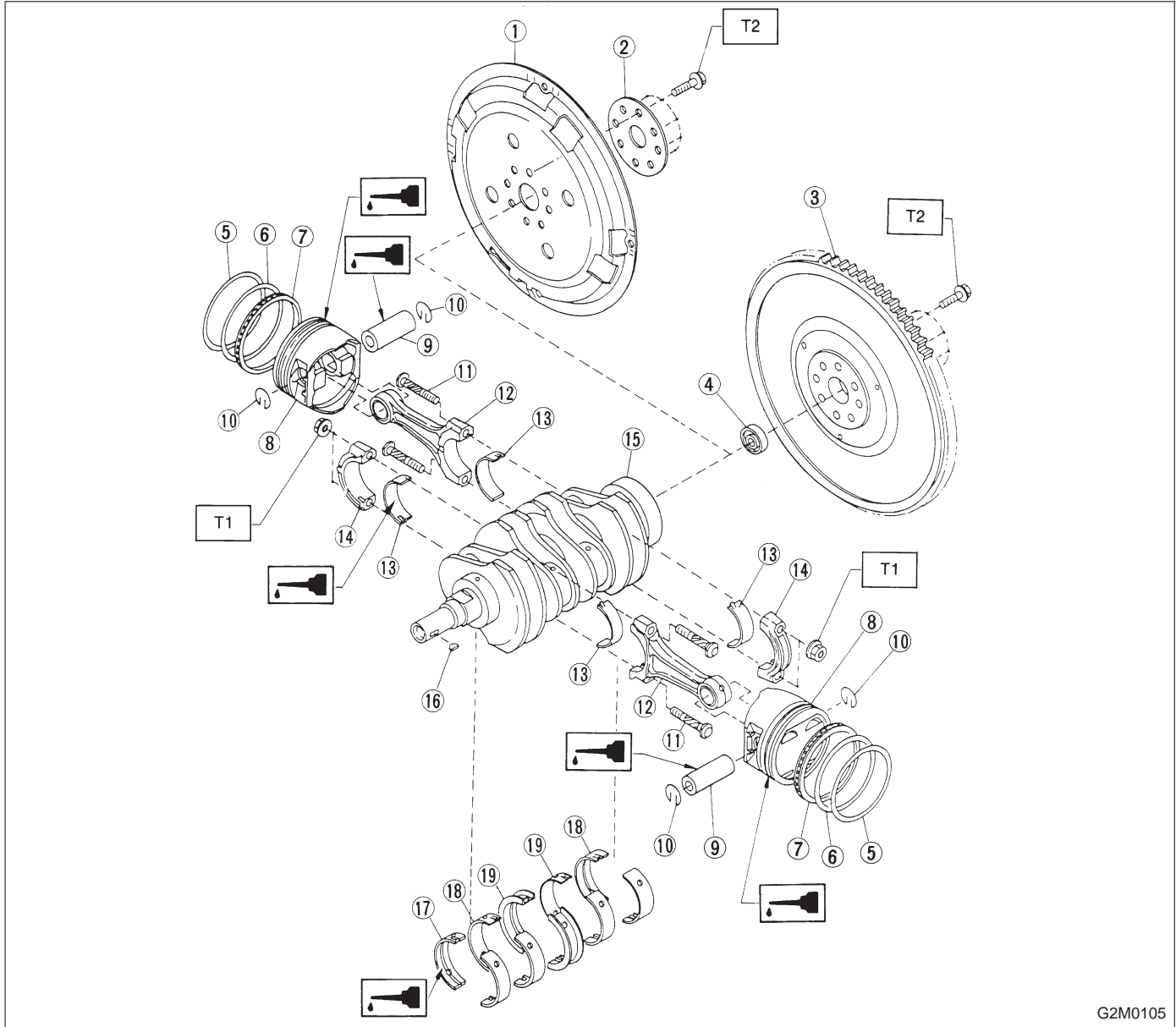


5. Crankshaft and Piston



G2M0105

- ① Drive plate (AT)
- ② Reinforcement (AT)
- ③ Flywheel (MT)
- ④ Bell bearing (MT)
- ⑤ Top ring
- ⑥ Second ring
- ⑦ Oil ring
- ⑧ Piston
- ⑨ Piston pin
- ⑩ Circlip
- ⑪ Connecting rod bolt
- ⑫ Connecting rod

- ⑬ Connecting rod bearing
- ⑭ Connecting rod cap
- ⑮ Crankshaft
- ⑯ Woodruff key
- ⑰ Crankshaft bearing #1, #5
- ⑱ Crankshaft bearing #2, #4
- ⑲ Crankshaft bearing #3

**Tightening torque: N·m (kg·m, ft·lb)**  
**T1: 44±2 (4.5±0.2, 32.5±1.4)**  
**T2: 72±3 (7.3±0.3, 52.8±2.2)**