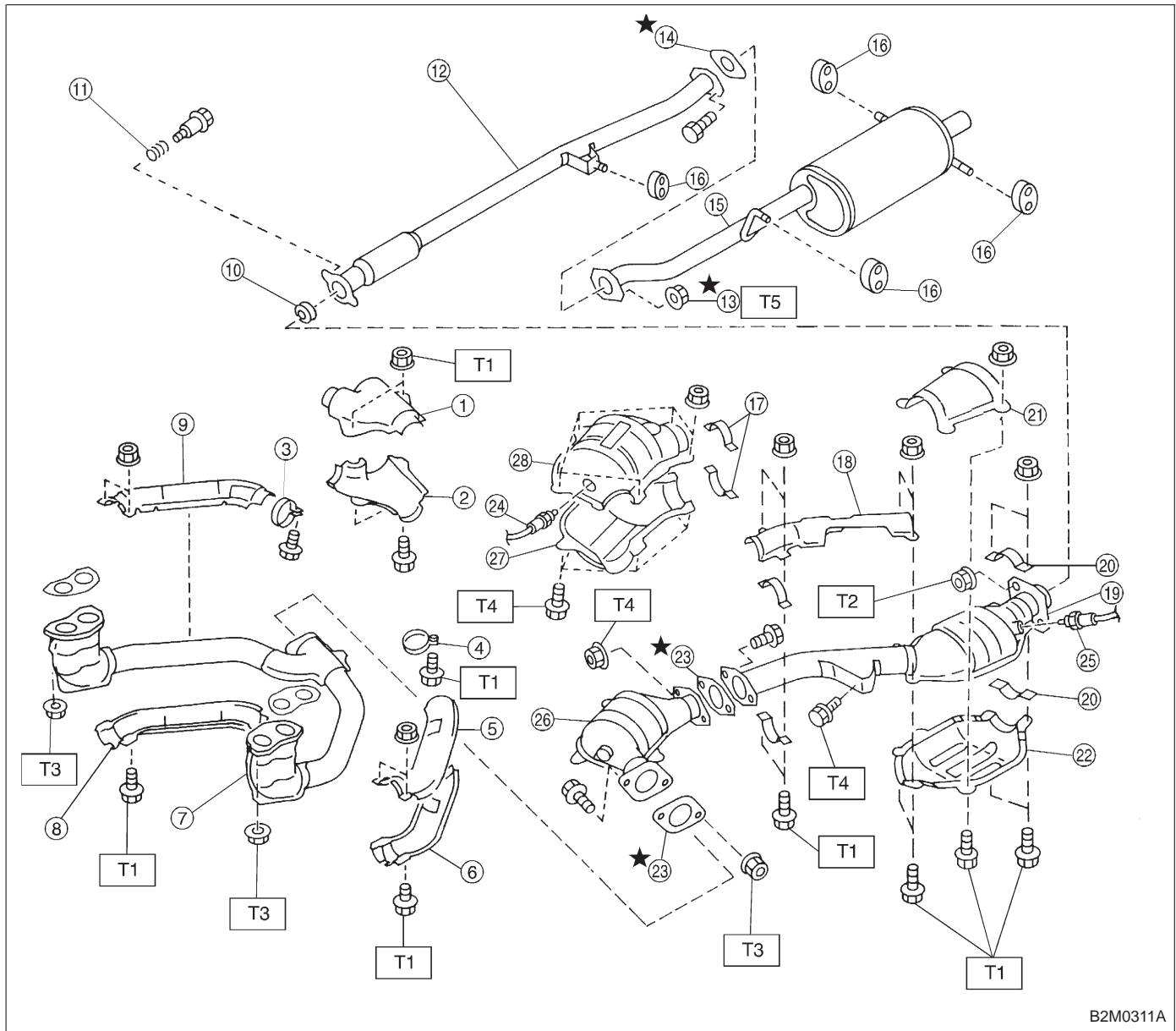


1. Exhaust System

1. 2500 cc MODEL



B2M0311A

- ① Upper front exhaust pipe cover CTR
- ② Lower front exhaust pipe cover CTR
- ③ Band RH
- ④ Band LH
- ⑤ Upper front exhaust pipe cover LH
- ⑥ Lower front exhaust pipe cover LH
- ⑦ Front exhaust pipe
- ⑧ Lower front exhaust pipe cover RH
- ⑨ Upper front exhaust pipe cover RH
- ⑩ Gasket
- ⑪ Spring
- ⑫ Rear exhaust pipe

- ⑬ Self-locking nut
- ⑭ Gasket
- ⑮ Muffler
- ⑯ Cushion rubber
- ⑰ Clamp
- ⑱ Upper center exhaust pipe cover
- ⑲ Center exhaust pipe
- ⑳ Clamp B
- ㉑ Upper rear catalytic converter cover
- ㉒ Lower rear catalytic converter cover
- ㉓ Gasket
- ㉔ Front oxygen sensor

- ㉕ Rear oxygen sensor
- ㉖ Front catalytic converter
- ㉗ Lower front catalytic converter cover
- ㉘ Upper front catalytic converter cover

Tightening torque: N·m (kg·m, ft·lb)

T1: 13±3 (1.3±0.3, 9.4±2.2)

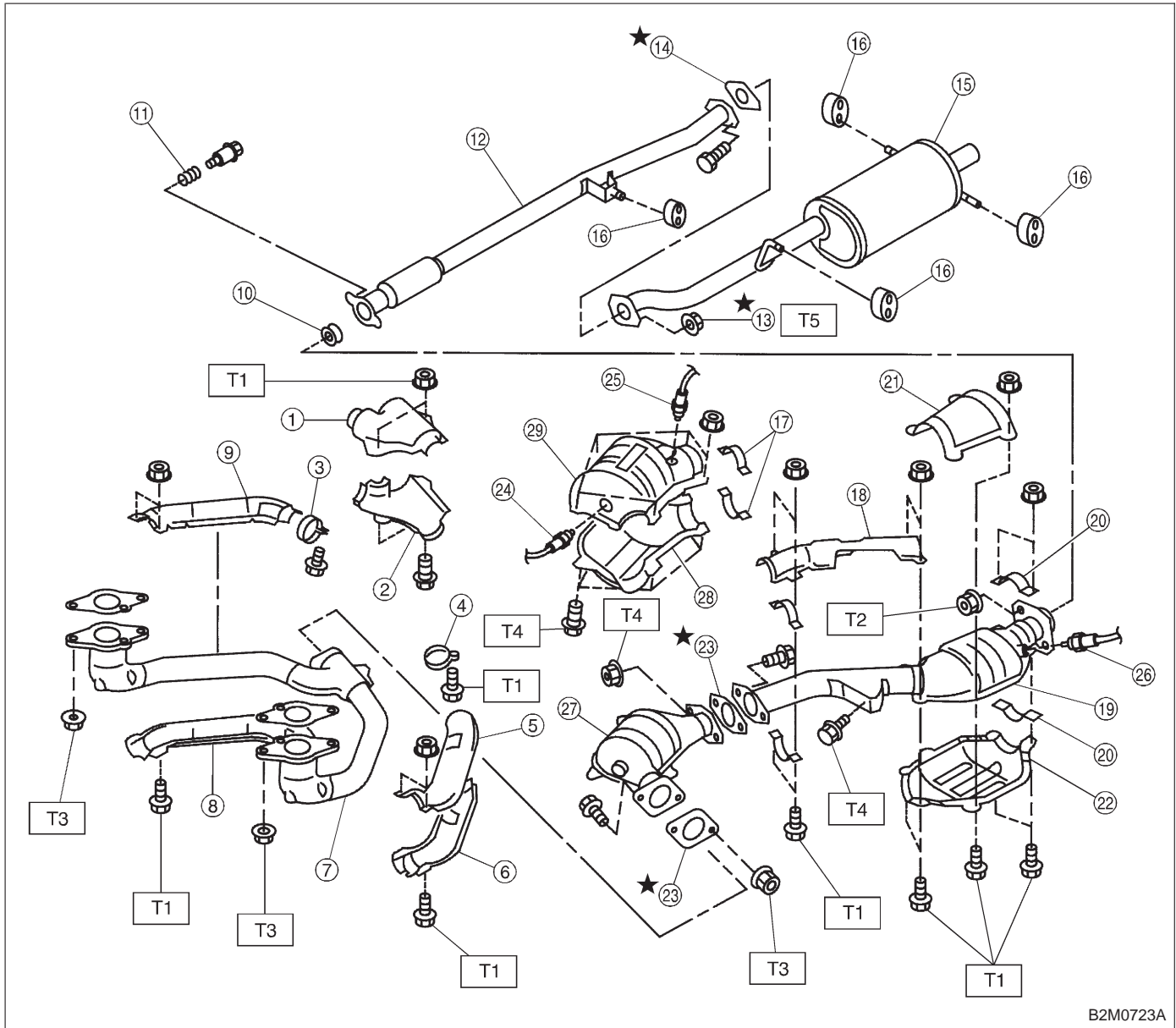
T2: 18±5 (1.8±0.5, 13.0±3.6)

T3: 30±5 (3.1±0.5, 22.4±3.6)

T4: 35±5 (3.6±0.5, 26.0±3.6)

T5: 48±5 (4.9±0.5, 35.4±3.6)

2. 2200 cc MODEL



- ① Upper front exhaust pipe cover CTR
- ② Lower front exhaust pipe cover CTR
- ③ Band RH
- ④ Band LH
- ⑤ Upper front exhaust pipe cover LH
- ⑥ Lower front exhaust pipe cover LH
- ⑦ Front exhaust pipe
- ⑧ Lower front exhaust pipe cover RH
- ⑨ Upper front exhaust pipe cover RH
- ⑩ Gasket
- ⑪ Spring
- ⑫ Rear exhaust pipe
- ⑬ Self-locking nut

- ⑭ Gasket
- ⑮ Muffler
- ⑯ Cushion rubber
- ⑰ Clamp
- ⑱ Upper center exhaust pipe cover
- ⑲ Center exhaust pipe
- ⑳ Clamp B
- ㉑ Upper rear catalytic converter cover
- ㉒ Lower rear catalytic converter cover
- ㉓ Gasket
- ㉔ Front oxygen sensor
- ㉕ Rear oxygen sensor (California 2200 cc model)

- ㉖ Rear oxygen sensor (Except California 2200 cc model)
- ㉗ Front catalytic converter
- ㉘ Lower front catalytic converter cover
- ㉙ Upper front catalytic converter cover

Tightening torque: N·m (kg·m, ft·lb)

- T1: 13±3 (1.3±0.3, 9.4±2.2)**
- T2: 18±5 (1.8±0.5, 13.0±3.6)**
- T3: 30±5 (3.1±0.5, 22.4±3.6)**
- T4: 35±5 (3.6±0.5, 26.0±3.6)**
- T5: 48±5 (4.9±0.5, 35.4±3.6)**