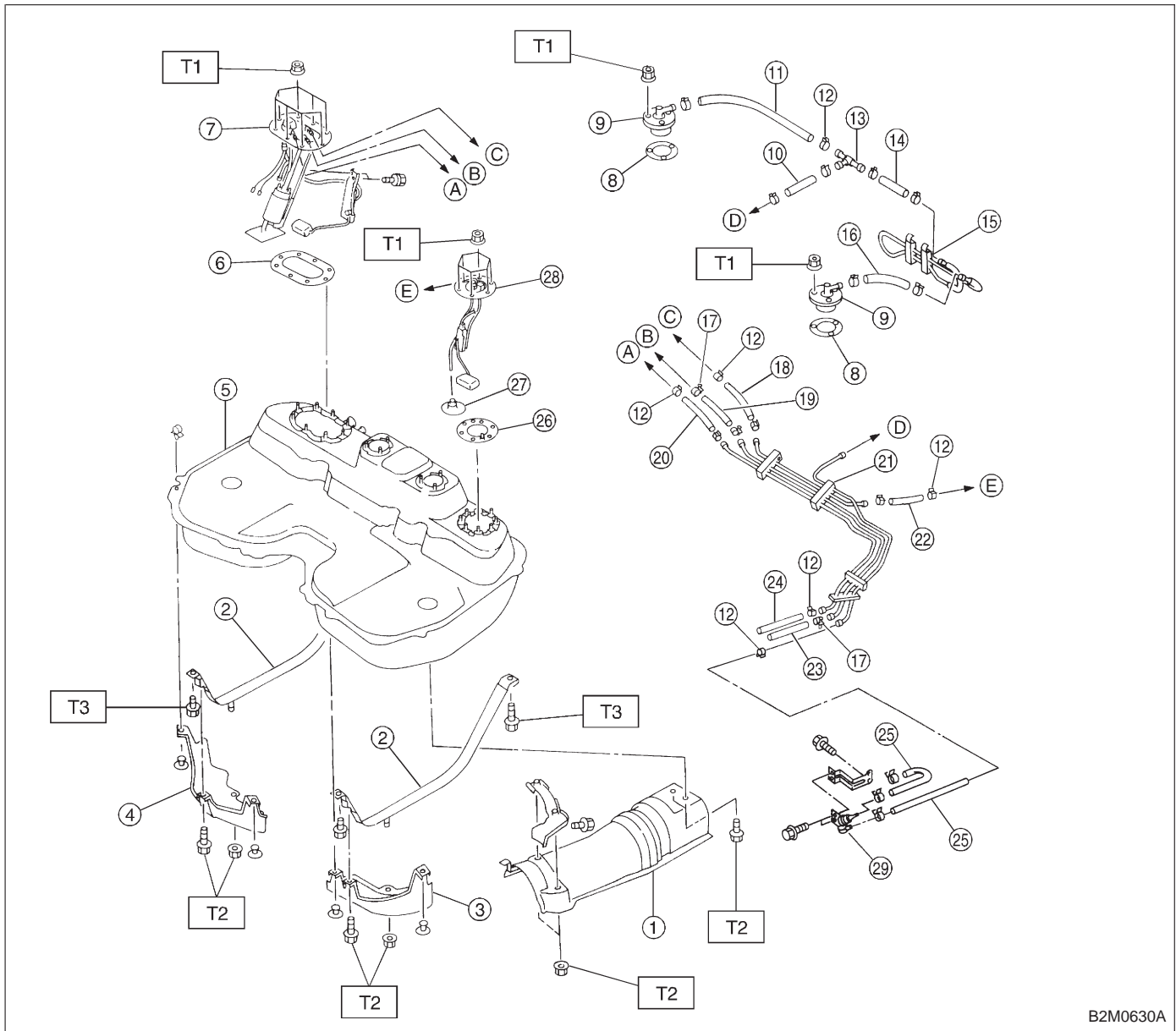


1. Fuel Tank

1. 2500 cc AWD MODEL



B2M0630A

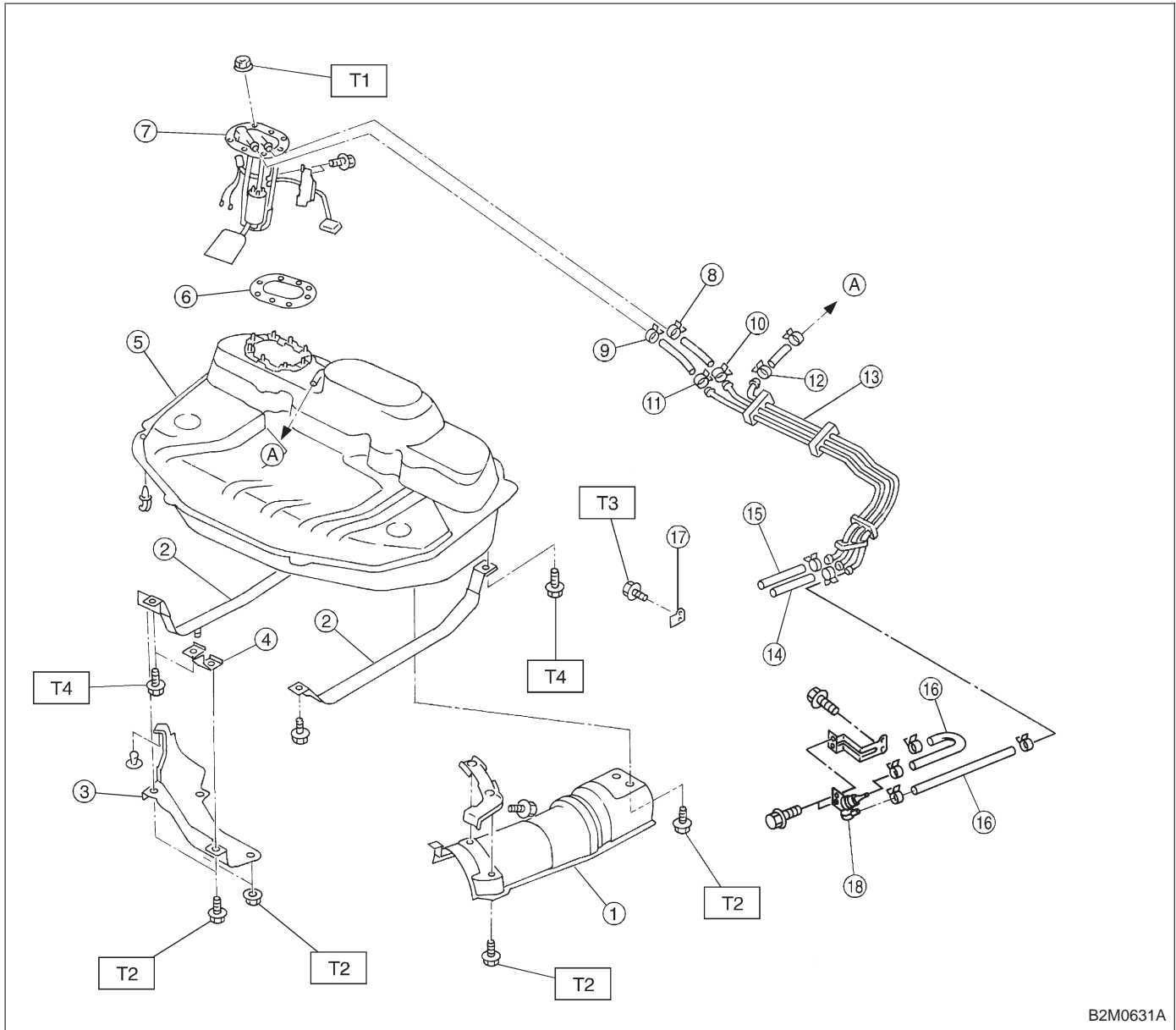
- ① Heat sealed cover
- ② Fuel tank band
- ③ Protector LH
- ④ Protector RH
- ⑤ Fuel tank
- ⑥ Fuel pump gasket
- ⑦ Fuel pump ASSY
- ⑧ Fuel cut valve gasket
- ⑨ Fuel cut valve
- ⑩ Evaporation hose C
- ⑪ Evaporation hose A

- ⑫ Clip
- ⑬ Joint pipe
- ⑭ Evaporation hose B
- ⑮ Evaporation pipe ASSY
- ⑯ Evaporation hose D
- ⑰ Clamp
- ⑱ Jet pump hose A
- ⑲ Fuel delivery hose A
- ⑳ Fuel return hose A
- ㉑ Fuel pipe ASSY
- ㉒ Jet pump hose B

- ㉓ Fuel delivery hose B
- ㉔ Fuel return hose B
- ㉕ Evaporation hose E
- ㉖ Fuel sub meter gasket
- ㉗ Jet pump filter
- ㉘ Fuel sub meter unit
- ㉙ Roll over valve

**Tightening torque: N·m (kg-m, ft-lb)**  
**T1: 4.4±1.5 (0.45±0.15, 3.3±1.1)**  
**T2: 7.4±2.0 (0.75±0.2, 5.4±1.4)**  
**T3: 33±10 (3.4±1.0, 25±7)**

2. FWD MODEL



B2M0631A

- ① Heat seated cover
- ② Fuel tank band
- ③ Protector
- ④ Protector bracket
- ⑤ Fuel tank
- ⑥ Fuel pump gasket
- ⑦ Fuel pump ASSY
- ⑧ Clamp
- ⑨ Clip
- ⑩ Fuel delivery hose A
- ⑪ Fuel return hose A
- ⑫ Evaporation hose A
- ⑬ Fuel pipe ASSY

- ⑭ Fuel delivery hose B
- ⑮ Fuel return hose B
- ⑯ Evaporation hose B
- ⑰ Plate
- ⑱ Roll over valve

**Tightening torque: N·m (kg·m, ft·lb)**

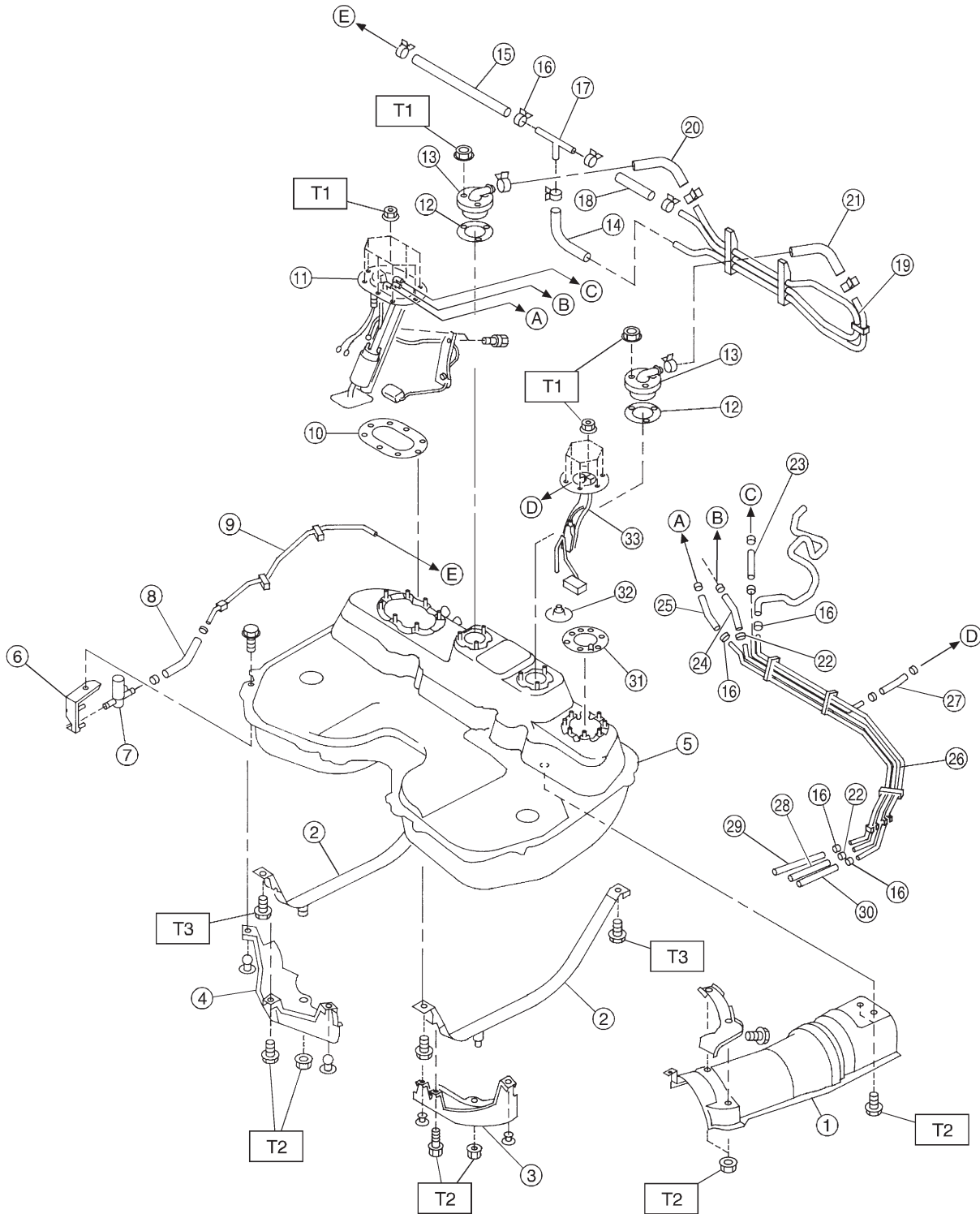
**T1: 4.4±1.5 (0.45±0.15, 3.3±1.1)**

**T2: 7.4±0.2 (0.75±0.2, 5.4±1.4)**

**T3: 18±5 (1.8±0.5, 13.0±3.6)**

**T4: 33±10 (3.4±1.0, 25±7)**

### 3. 2200 cc AWD MODEL



B2M0975A

## 1. Fuel Tank

- |   |                         |
|---|-------------------------|
| ① Heat sealed cover                       | ⑳ Evaporation hose D    |
| ② Fuel tank band                          | ㉑ Evaporation hose E    |
| ③ Protector LH                            | ㉒ Clamp                 |
| ④ Protector RH                            | ㉓ Jet pump hose A       |
| ⑤ Fuel tank                               | ㉔ Fuel delivery hose A  |
| ⑥ Pressure control solenoid valve bracket | ㉕ Fuel return hose A    |
| ⑦ Pressure control solenoid valve         | ㉖ Fuel pipe ASSY        |
| ⑧ Evaporation hose G                      | ㉗ Jet pump hose B       |
| ⑨ Evaporation pipe A                      | ㉘ Fuel delivery hose B  |
| ⑩ Fuel pump gasket                        | ㉙ Fuel return hose B    |
| ⑪ Fuel pump ASSY                          | ㉚ Evaporation hose F    |
| ⑫ Fuel cut valve gasket                   | ㉛ Fuel sub meter gasket |
| ⑬ Fuel cut valve                          | ㉜ Jet pump filter       |
| ⑭ Evaporation hose C                      | ㉝ Fuel sub meter unit   |
| ⑮ Evaporation hose A                      |                         |
| ⑯ Clip                                    |                         |
| ⑰ Joint pipe                              |                         |
| ⑱ Evaporation hose B                      |                         |
| ㉞ Evaporation pipe ASSY                   |                         |

**Tightening torque: N·m (kg·m, ft·lb)****T1: 4.4±1.5 (0.45±0.15, 3.3±1.1)****T2: 7.4±2.0 (0.75±0.2, 5.4±1.4)****T3: 33±10 (3.4±1.0, 25±7)**