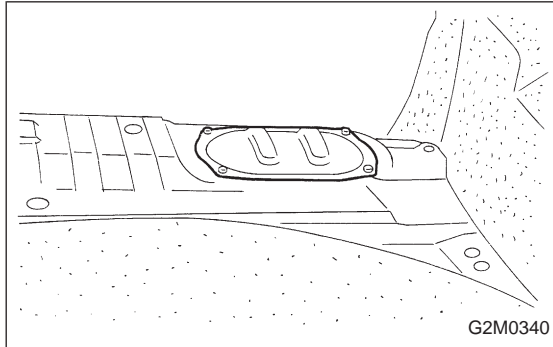


## 1. Precautions

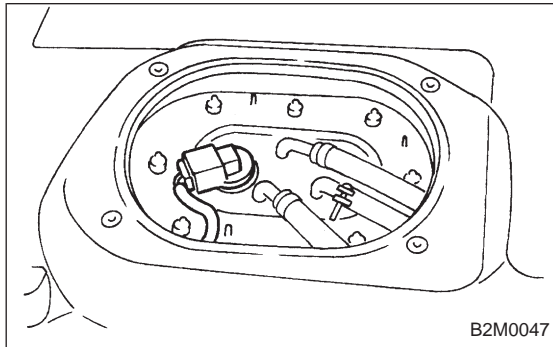
### WARNING:

- Place “No fire” signs near the working area.
- Disconnect ground terminal from battery.
- Be careful not to spill fuel on the floor.

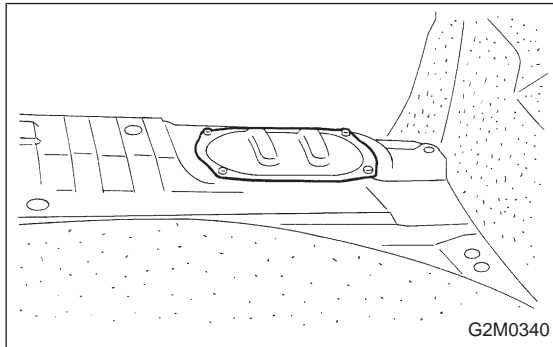


### A: RELEASING OF FUEL PRESSURE

- 1) Take off floor mat.
- 2) Remove access hole lid.

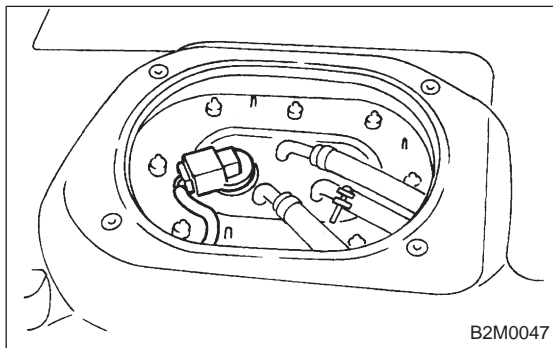


- 3) Disconnect connector from fuel pump.
- 4) Start the engine, and run it until it stalls.
- 5) After the engine stalls, crank it for five more seconds.
- 6) Turn ignition switch OFF.

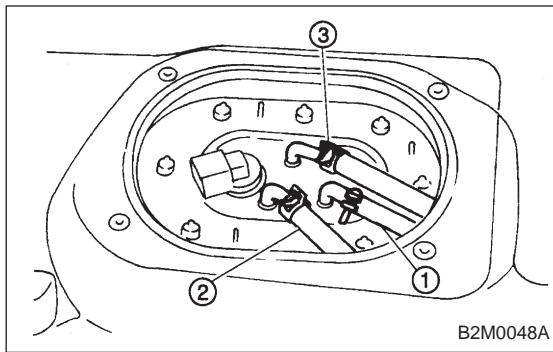


### B: DRAINING OF FUEL

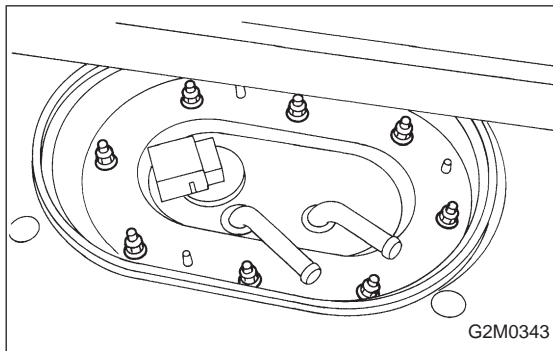
- 1) Remove rear seat and seat back.
- 2) Remove access hole lid.



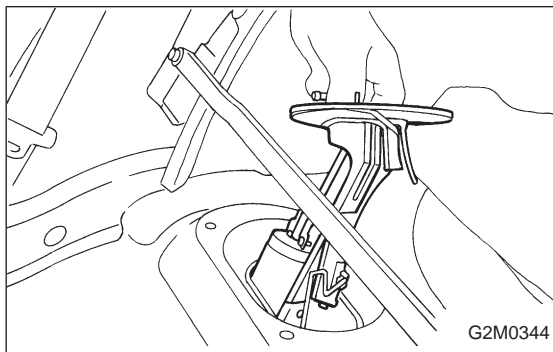
- 3) Disconnect connector from fuel pump.
- 4) Release fuel pressure. <Ref. to 2-8 [W1A0].>



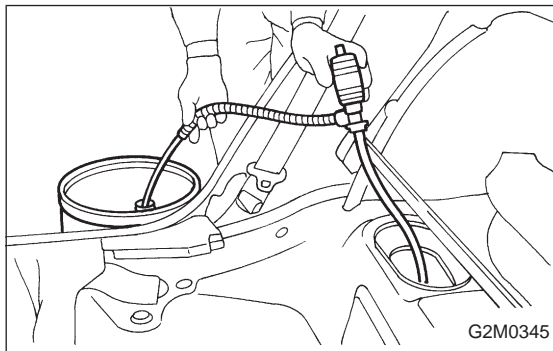
- 5) Disconnect fuel delivery hose ① and return hose ②.
- 6) Disconnect jet pump hose ③. (AWD model)



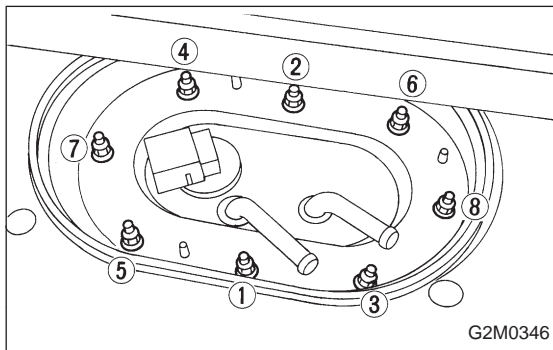
- 7) Remove nuts which install fuel pump assembly onto fuel tank.



- 8) Take off fuel pump from fuel tank.

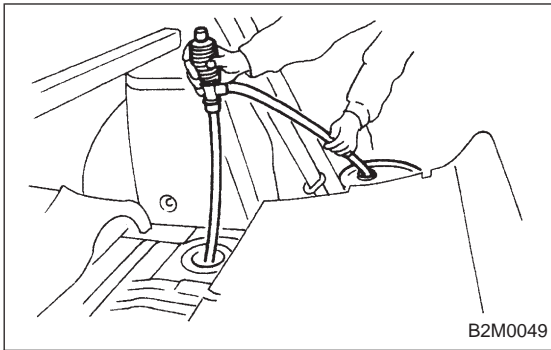


- 9) Drain fuel from fuel tank by using a hand pump.  
**WARNING:**  
Do not use a motor pump when draining fuel.



- 10) After draining fuel, reinstall fuel pump. Tighten nuts in numerical sequence shown in Figure to specified torque.

**Tightening torque:**  
 $4.4 \pm 1.5 \text{ N}\cdot\text{m}$  ( $0.45 \pm 0.15 \text{ kg}\cdot\text{m}$ ,  $3.3 \pm 1.1 \text{ ft}\cdot\text{lb}$ )



11) On AWD model, after removing fuel sub meter unit, drain fuel from there.

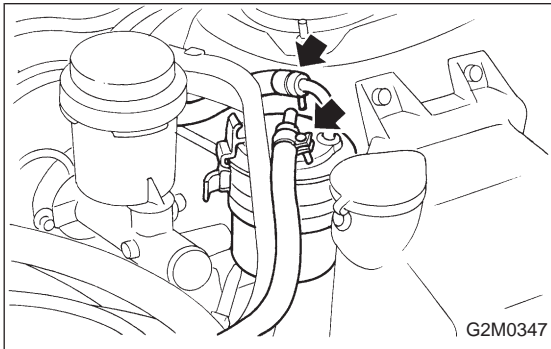
**WARNING:**

**Do not use a motor pump when draining fuel.**

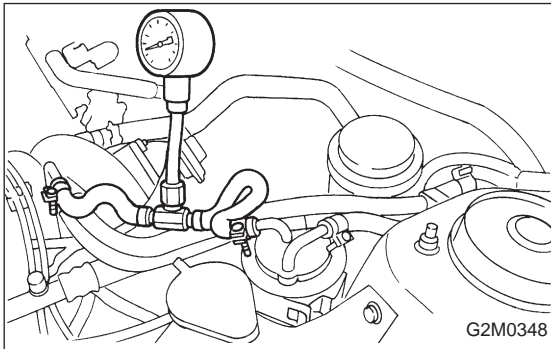
## 2. On-Car Services

### A: MEASUREMENT OF FUEL PRESSURE

- 1) Release fuel pressure. <Ref. to 2-8 [W1A0].>
- 2) Connect connector to fuel pump.



3) Disconnect fuel delivery hoses from fuel filter, and connect fuel pressure gauge.



- 4) Start the engine.
- 5) Measure fuel pressure while disconnecting pressure regulator vacuum hose from collector chamber.

**Fuel pressure:**

**235 — 265 kPa (2.4 — 2.7 kg/cm<sup>2</sup>, 34 — 38 psi)**

6) After connecting pressure regulator vacuum hose, measure fuel pressure.

**Fuel pressure:**

**177 — 206 kPa (1.8 — 2.1 kg/cm<sup>2</sup>, 26 — 30 psi)**

**WARNING:**

**Before removing fuel pressure gauge, release fuel pressure.**

**NOTE:**

If out of specification as measured at step 6), check or replace pressure regulator and pressure regulator vacuum hose.