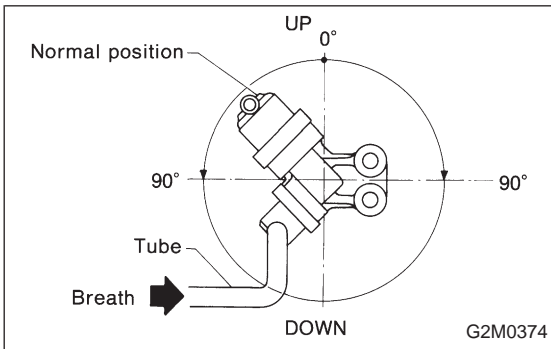


## 9. Roll Over Valve

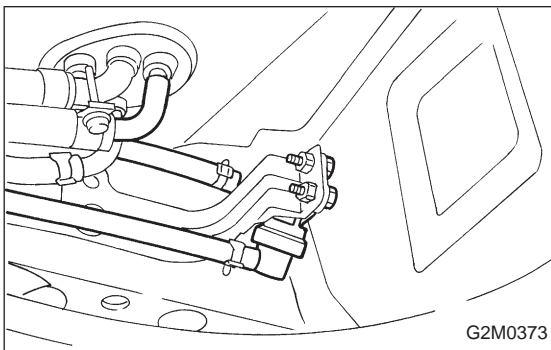
### A: REMOVAL

- 1) Lift up the vehicle.
- 2) Remove roll over valve with bracket.
- 3) Disconnect hoses from roll over valve, and remove it from bracket.



### B: INSPECTION

- 1) Connect hoses to roll over valve as shown in Figure.
- 2) While blowing through open end of hose, tilt valve at least 90° left and right from normal position.
- 3) Ensure that there is no air flow when hose is tilted greater than 90°.

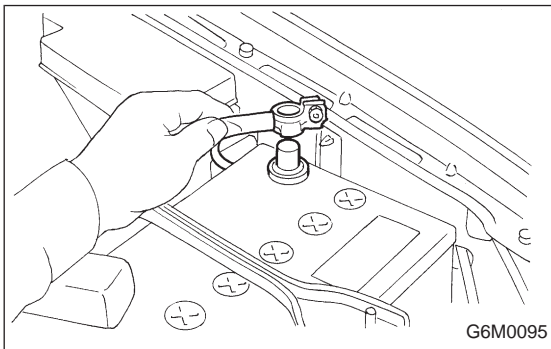


### C: INSTALLATION

Installation is in the reverse order of removal.

#### CAUTION:

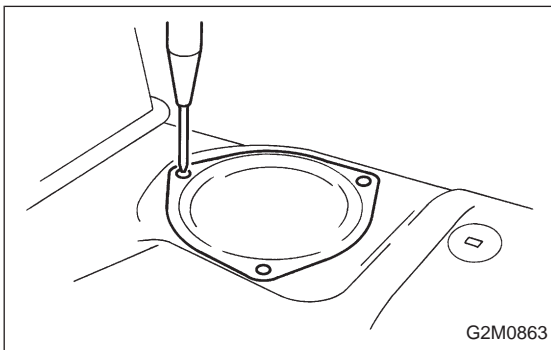
- Do not install top side of valve down.
- Before installing bracket on body, securely fit concave part of bracket to hole in body.



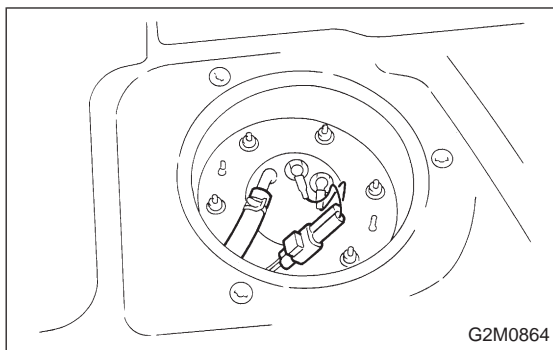
## 10. Fuel Sub Meter Unit (AWD model only)

### A: REMOVAL AND INSTALLATION

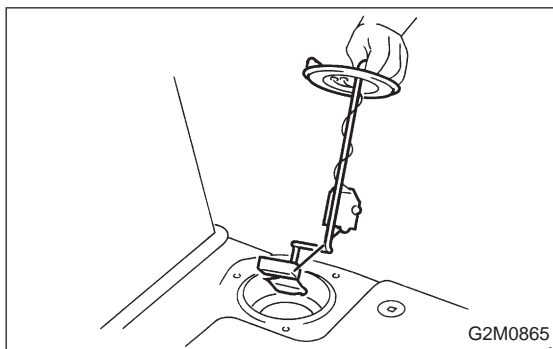
- 1) Disconnect battery ground cable.



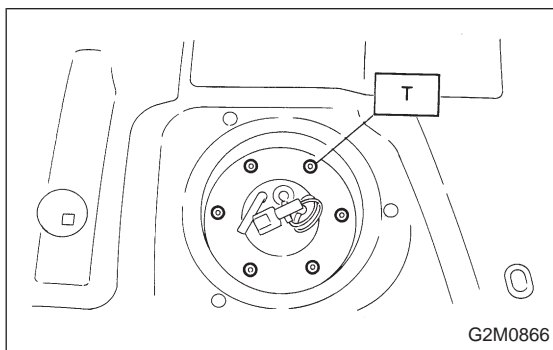
- 2) Remove rear seat.
- 3) Remove service hole cover.



- 4) Disconnect connector from fuel sub meter.
- 5) Disconnect jet pump hose.



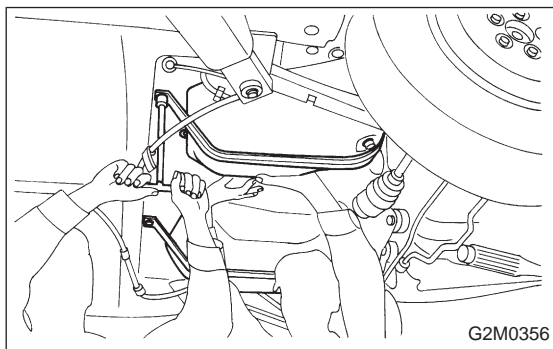
- 6) Remove fuel sub meter unit.



- 7) Installation is in the reverse order of removal procedure.

**Tightening torque:**

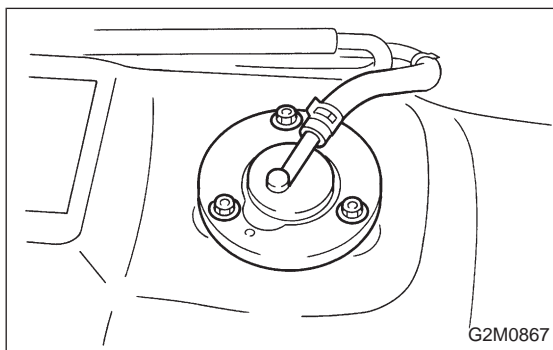
***T: 3 — 6 N·m (0.3 — 0.6 kg·m, 2.2 — 4.3 ft·lb)***



## 11. Fuel Cut Valve (AWD model only)

### A: REMOVAL AND INSTALLATION

- 1) Remove fuel tank. <Ref. to 2-8 [W3A0].>



- 2) Disconnect evaporation hose from fuel cut valve.
- 3) Remove fuel cut valve.
- 4) Installation is in the reverse order of removal procedure.

**Tightening torque:**

***4.4±1.5 N·m (0.45±0.15 kg·m, 3.3±1.1 ft·lb)***