

- 3) Disconnect the connection between the expansion valve and pipe from receiver drier.
- 4) Remove the expansion valve from pipes.
- 5) To install expansion valve, reverse removal procedures. Properly wrap capillary tube of expansion valve with seal.
- 6) Check to see if the evaporator fins are clogged. If they are, clean them with compressed air.

CAUTION:

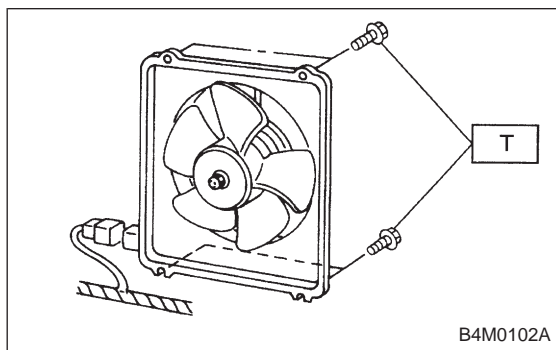
Water must never be used to clean the evaporator.

- 7) Check parts that have been removed for cracks or scratches, and repair or replace them with new ones, if necessary.

- 8) Reassemble the evaporator in the reverse order of disassembly.

NOTE:

Confirm that the O-ring is inserted in the specified position.



15. Condenser Fan Assembly

A: REMOVAL AND INSTALLATION

- 1) Disconnect battery negative terminal.
- 2) Disconnect harness connector from fan motor.
- 3) Remove condenser fan bolt from radiator.
- 4) Pull condenser fan assembly.
- 5) Install the condenser fan assembly in the reverse order of removal.

Tightening torque:

T: 7.4±2.0 N·m (0.75±0.2 kg-m, 5.4±1.4 ft-lb)