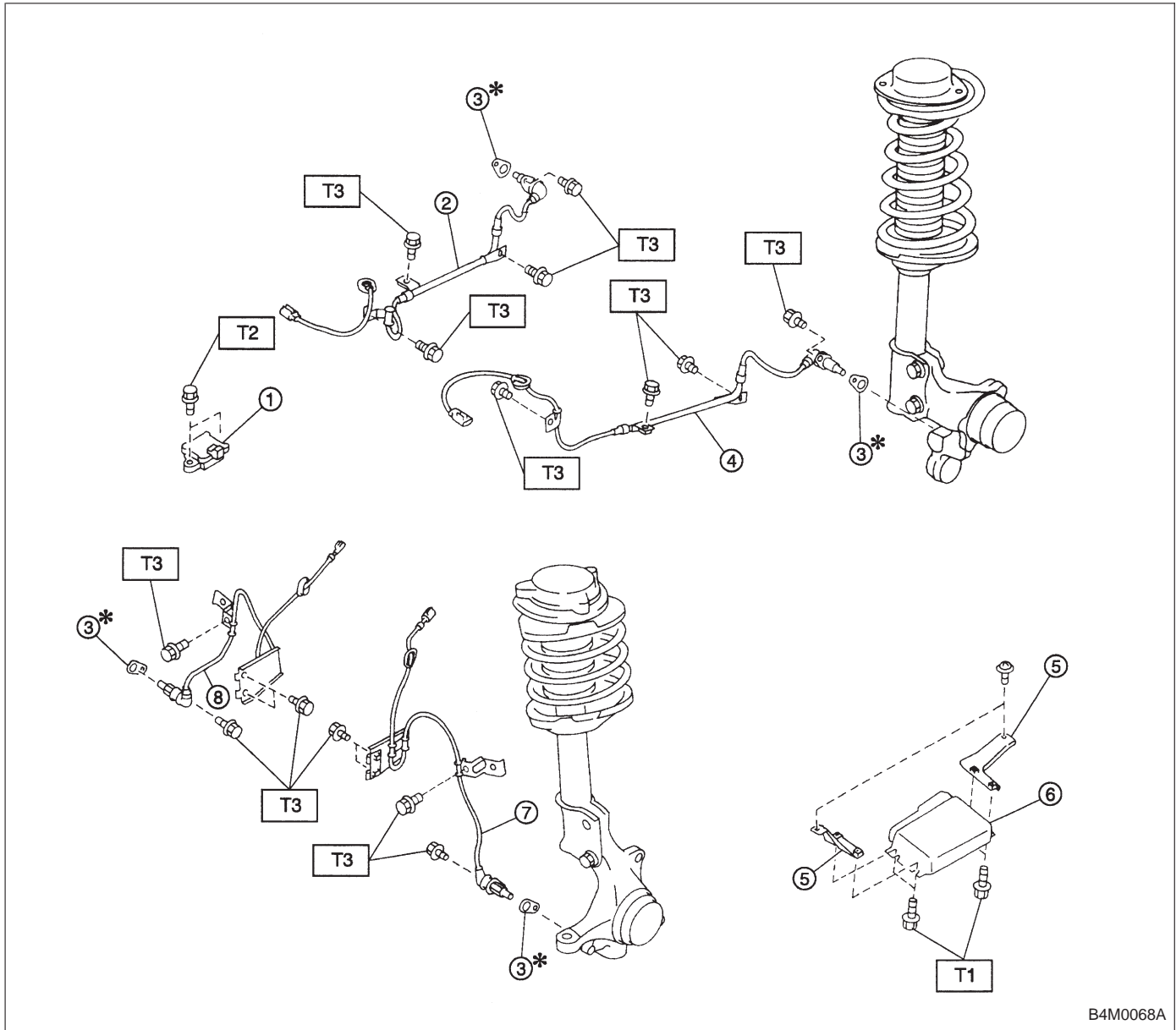


6. ABS System

1. SENSOR AND CONTROL MODULE (EXCEPT ABS 5.3 TYPE)

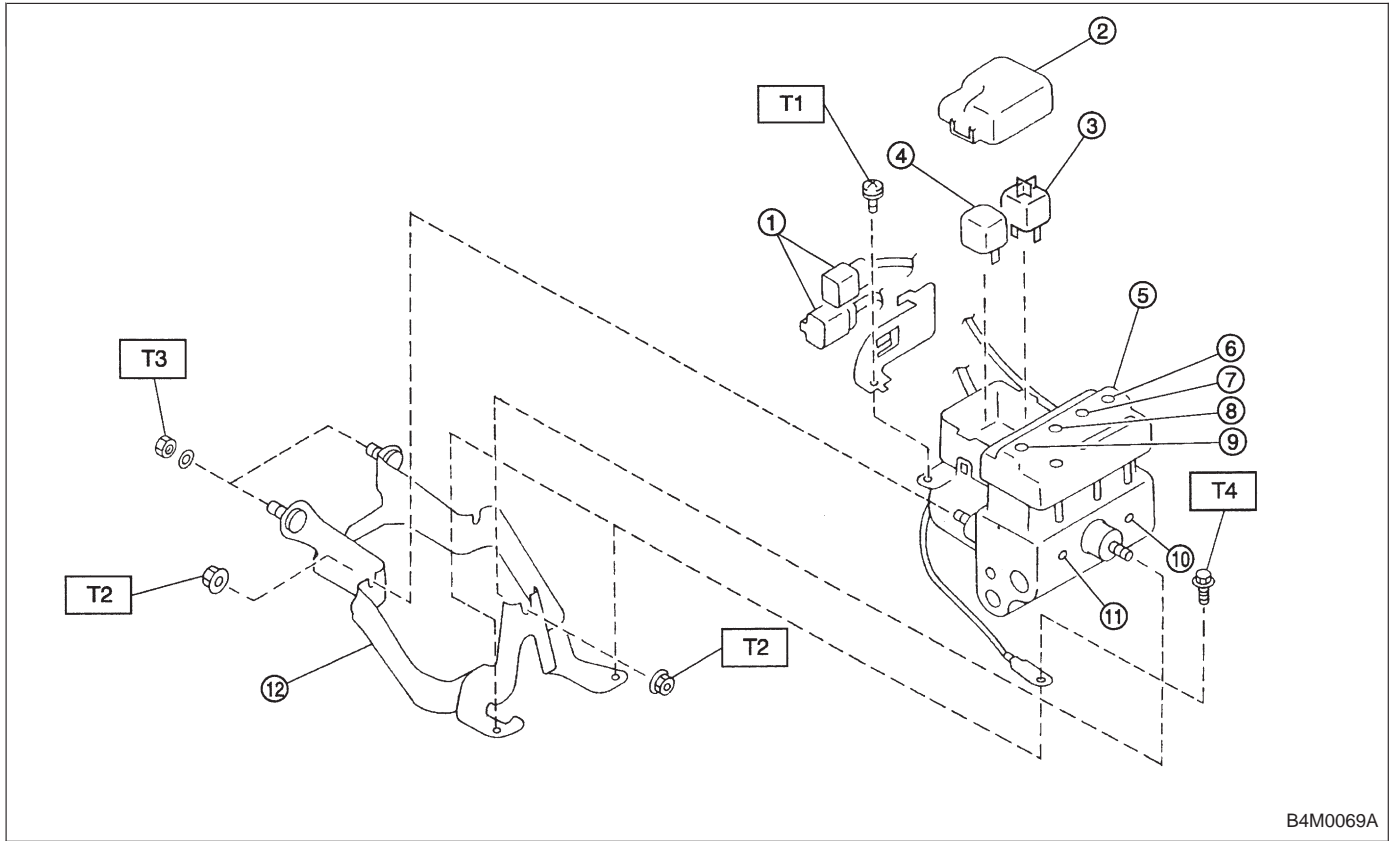


B4M0068A

- ① G sensor (AWD MT only)
- ② Rear ABS sensor RH
- ③ ABS spacer
- ④ Rear ABS sensor LH
- ⑤ Bracket
- ⑥ ABS control module
- ⑦ Front ABS sensor LH
- ⑧ Front ABS sensor RH

Tightening torque: N·m (kg·m, ft·lb)
T1: 5.9±1.5 (0.60±0.15, 4.3±1.1)
T2: 7.4±2.0 (0.75±0.2, 5.4±1.4)
T3: 32±10 (3.3±1.0, 24±7)

2. HYDRAULIC CONTROL UNIT (EXCEPT ABS 5.3 TYPE)



B4M0069A

- ① Connector
- ② Cap
- ③ Motor relay
- ④ Valve relay
- ⑤ Hydraulic control unit
- ⑥ Front-RH outlet
- ⑦ Rear-LH outlet
- ⑧ Rear-RH outlet

- ⑨ Front-LH outlet
- ⑩ Primary inlet
- ⑪ Secondary inlet
- ⑫ Bracket

Tightening torque: N·m (kg·m, ft·lb)

T1: 1.2±0.2

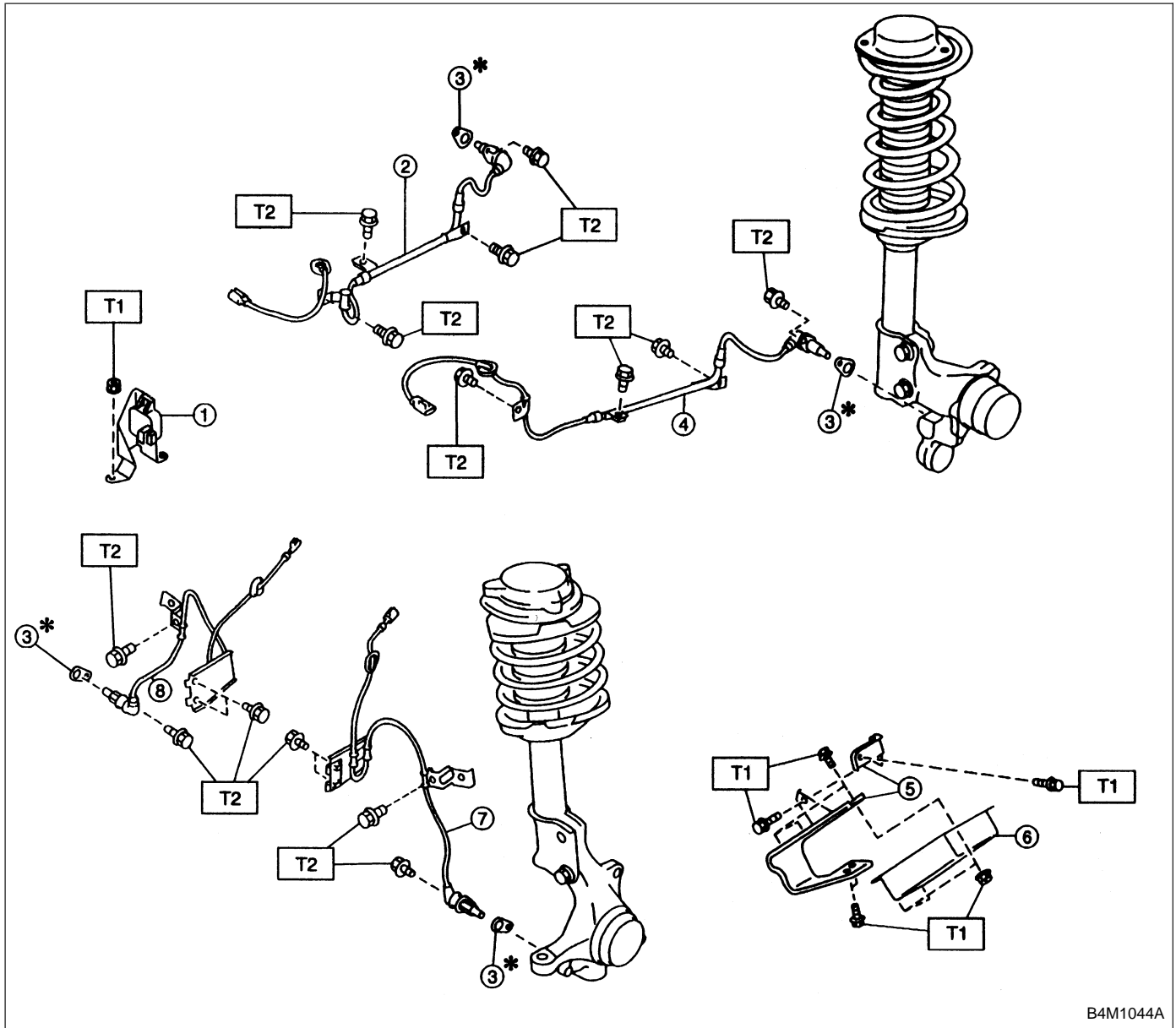
(0.125±0.025, 0.9±0.2)

T2: 18±5 (1.8±0.5, 13.0±3.6)

T3: 29±7 (3.0±0.7, 21.7±5.1)

T4: 32±10 (3.3±1.0, 24±7)

3. SENSOR AND CONTROL MODULE (ABS 5.3 TYPE)

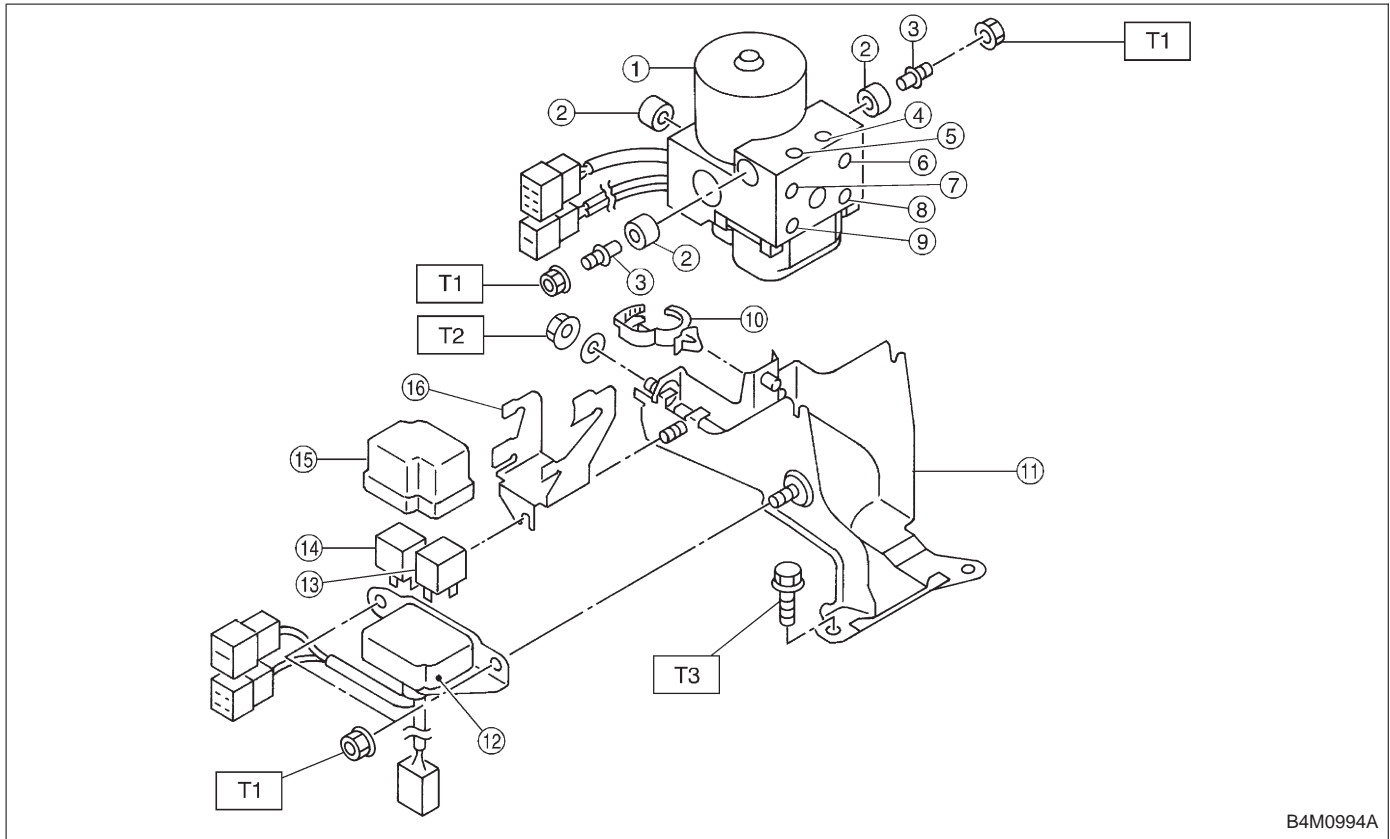


- ① G sensor (AWD only)
- ② Rear ABS sensor RH
- ③ ABS spacer
- ④ Rear ABS sensor LH
- ⑤ Bracket

- ⑥ ABS control module
- ⑦ Front ABS sensor LH
- ⑧ Front ABS sensor RH

Tightening torque: N·m (kg·m, ft·lb)
T1: 7.4±2.0 (0.75±0.2, 5.4±1.4)
T2: 32±10 (3.3±1.0, 24±7)

4. HYDRAULIC CONTROL UNIT (ABS 5.3 TYPE)



B4M0994A

- ① Hydraulic control unit
- ② Damper
- ③ Stud bolt
- ④ Rear-RH outlet
- ⑤ Rear-LH outlet
- ⑥ Secondary inlet
- ⑦ Primary inlet

- ⑧ Front-LH outlet
- ⑨ Front-RH outlet
- ⑩ Cable clip
- ⑪ Bracket
- ⑫ Relay box
- ⑬ Motor relay
- ⑭ Valve relay

- ⑮ Cap
- ⑯ Connector bracket

Tightening torque: N·m (kg·m, ft·lb)

T1: 18±5 (1.8±0.5, 13.0±3.6)

T2: 29±7 (3.0±0.7, 21.7±5.1)

T3: 32±10 (3.3±1.0, 24±7)