**D: INSTALLATION**

- 1) Install relay box cover on hydraulic unit.
- 2) Install hydraulic unit to bracket.

**Tightening torque:**

$18 \pm 5 \text{ N}\cdot\text{m}$  ( $1.8 \pm 0.5 \text{ kg}\cdot\text{m}$ ,  $13.0 \pm 3.6 \text{ ft}\cdot\text{lb}$ )

- 3) Tighten bracket and motor ground lead as a unit.

**Tightening torque:**

$32 \pm 10 \text{ N}\cdot\text{m}$  ( $3.3 \pm 1.0 \text{ kg}\cdot\text{m}$ ,  $24 \pm 7 \text{ ft}\cdot\text{lb}$ )

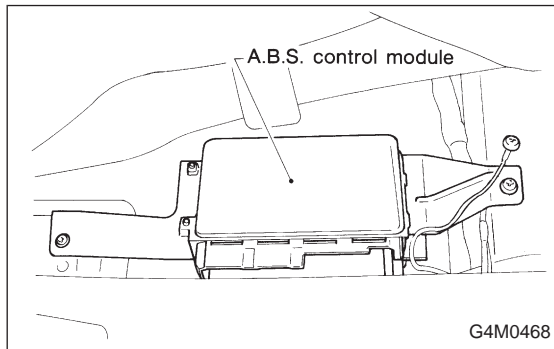
- 4) Connect brake pipes to their correct hydraulic unit connections.

**Tightening torque:**

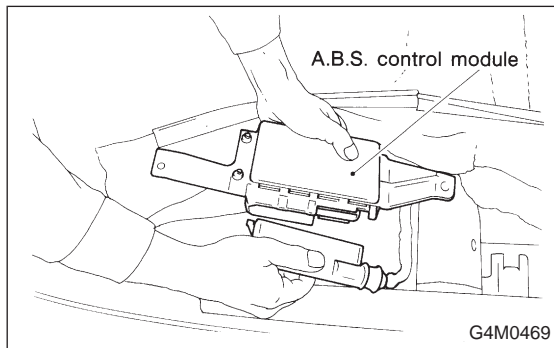
$15^{+3}_{-2} \text{ N}\cdot\text{m}$  ( $1.5^{+0.3}_{-0.2} \text{ kg}\cdot\text{m}$ ,  $10.8^{+2.2}_{-1.4} \text{ ft}\cdot\text{lb}$ )

**16. ABS Control Module (Except ABS 5.3 Type)****A: REMOVAL**

- 1) Remove floor mat located under lower right side of front seat.



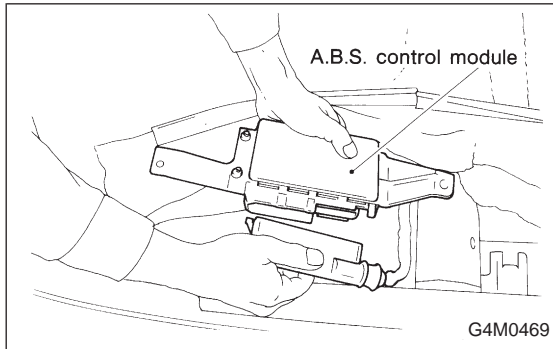
- 2) Remove screw which secure ABS control module from the body.



- 3) Disconnect connector from ABS control module.

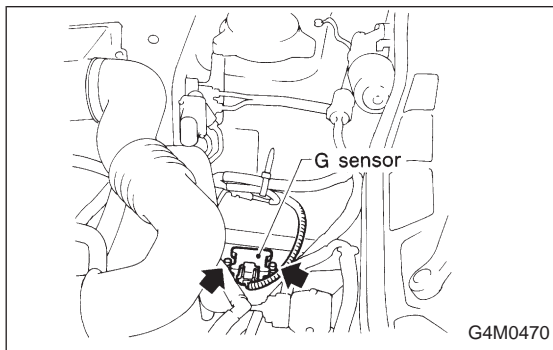
**B: INSPECTION**

Check that connector is connected correctly and that connector terminal sliding resistance is correct.



**C: INSTALLATION**

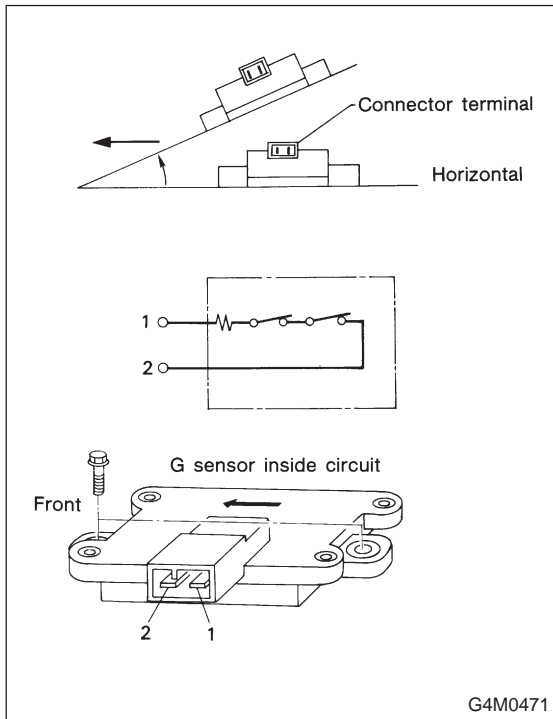
- 1) Connect connector to ABS control module.
- 2) Install ABS control module on the body.



**17. G Sensor for ABS System (Except ABS 5.3 Type)**

**A: REMOVAL AND INSTALLATION**

The G sensor is located on the right front wheel apron.



**B: INSPECTION**

- 1) Check to ensure that G sensor is securely installed on front wheel apron, and that connector is properly installed.
- 2) Disconnect connector from G sensor and measure contact resistance between terminals.

Condition of G sensor	Standard
On flat surface	610±60 Ω
* When slanting about 14° — 21.3° (θ)	610±60 Ω → More than 100 kΩ

**NOTE:**

- Tilt G sensor forward as shown in Figure. If it is tilted backward, it will not operate.
- Hysteresis occurs during ON-OFF operation of sensor. Sensor should turn OFF from ON (610 Ω → More than 100 kΩ) when it is tilted in a range from 14° to 21.3°.

**Tightening torque:**

**7.4±2.0 N·m (0.75±0.2 kg·m, 5.4±1.4 ft·lb)**