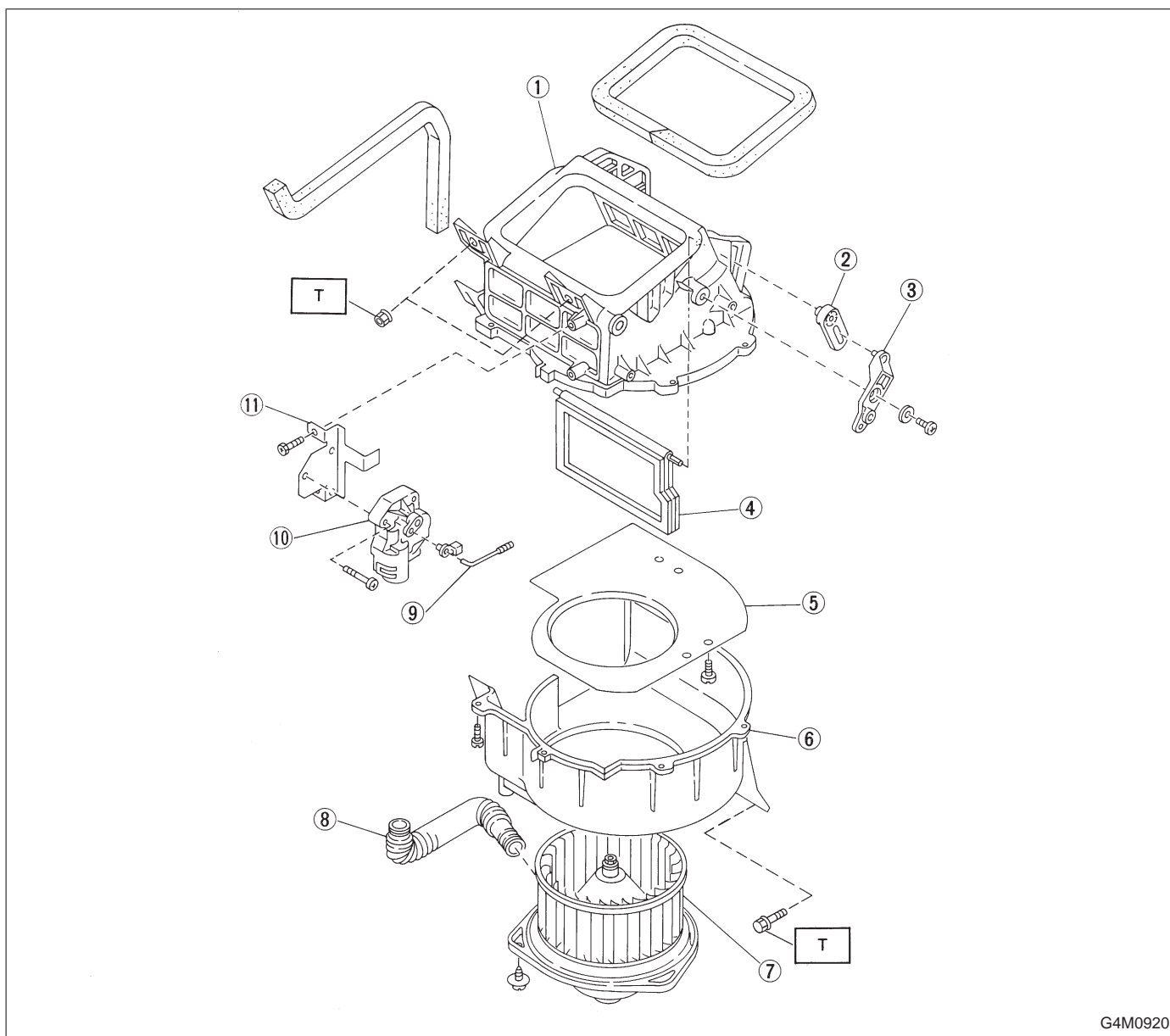


3. Intake Unit

1. LHD MODEL

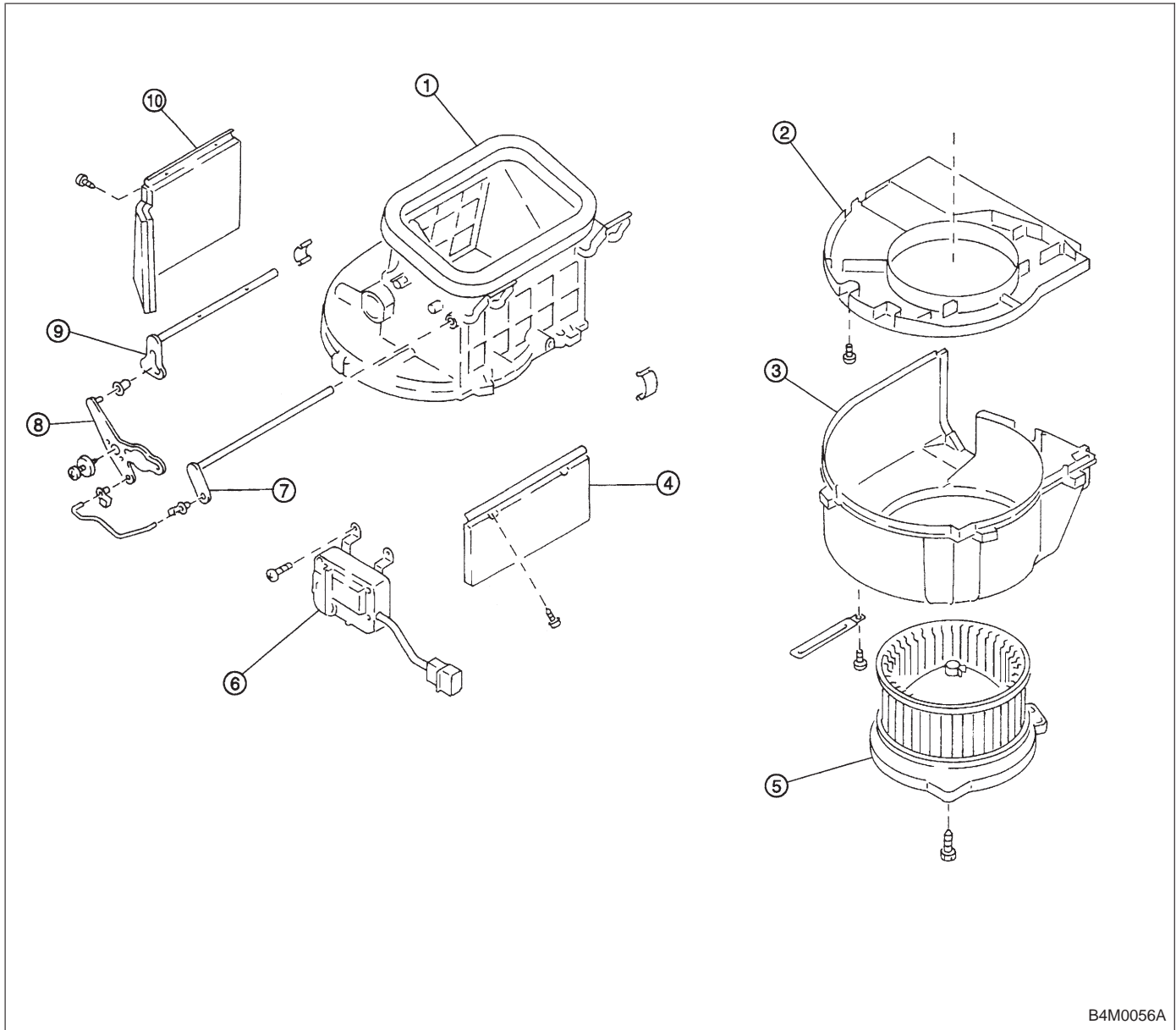


- ① Intake unit case upper
- ② Lever (A)
- ③ Link
- ④ Door (A)
- ⑤ Bell mouth-intake
- ⑥ Intake unit case lower

- ⑦ Blower motor ASSY
- ⑧ Hose
- ⑨ Actuator rod
- ⑩ Actuator motor
- ⑪ Actuator bracket

Tightening torque: N·m (kg·m, ft·lb)
T: 7.35±1.96
(0.750±0.200, 5.421±1.446)

2. RHD MODEL



B4M0056A

- ① Intake unit case upper
- ② Bell mouth intake
- ③ Intake unit case lower
- ④ Intake door A
- ⑤ Blower motor ASSY

- ⑥ Intake door motor
- ⑦ Lever A
- ⑧ Link
- ⑨ Lever B
- ⑩ Intake door B