

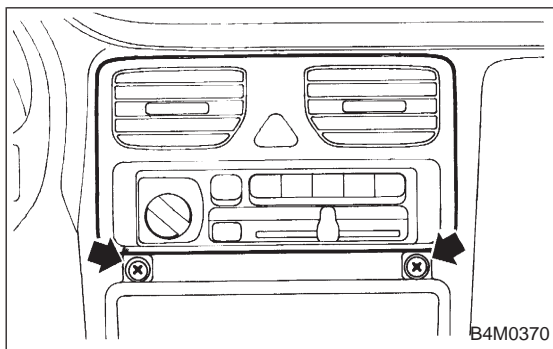
4. Control Unit

A: REMOVAL

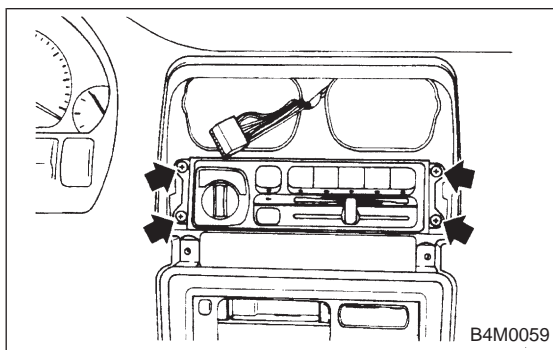
- 1) Disconnect GND cable from battery.
- 2) Set temperature control lever to "FULL COLD" position.
- 3) Remove temperature control cable from heater unit.

NOTE:

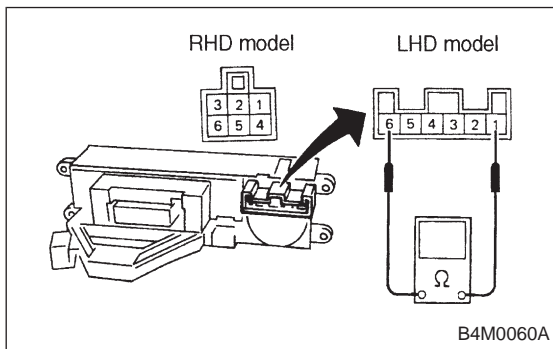
Do not attempt to move link of heater unit during installation.



- 4) Remove cup holder.
- 5) Remove center panel and then disconnect connector.



- 6) Remove control unit assembly and disconnect connector.



B: INSPECTION

1. FAN SWITCH

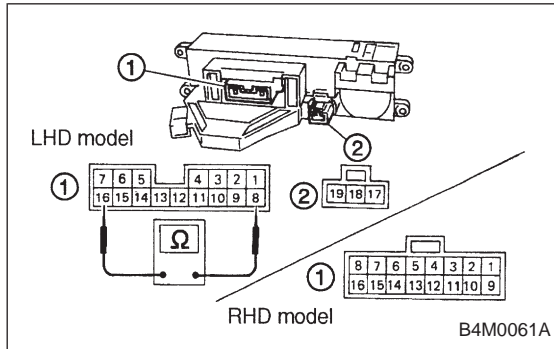
Check continuity between terminals at each switch position.

LHD model

Switch position	Terminals					
	1	2	3	4	5	6
1	○	○				○
2	○		○			○
3	○			○		○
4	○				○	○
	GND					IGN

RHD model

Switch position	Terminals					
	1	2	3	4	5	6
1			○	○		○
2		○	○	○		○
3	○		○	○		○
4			○	○	○	○
				GND		IGN



2. CONTROL UNIT

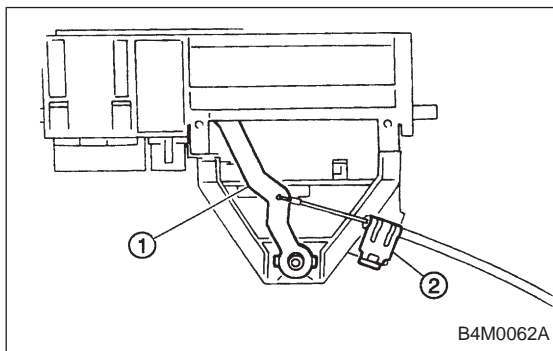
Check circuit continuity between each terminal, when push control switch is turned ON.

LHD model

Terminal No.	Mode selector switch					RECIRC switch		A/C switch	Illumi.
	VENT	BI-LEV	HEAT	DEF/HEAT	DEF	RECIRC	FRESH		
1									
2									
3									○
4									
5					○				
6			○	○	○				
7	○	○	○	○	○				
8	○	○	○	○	○	○	○		
9	○	○	○	○	○		○		
10	○	○	○	○	○	○			
11	○	○	○	○	○				○
12	○	○	○	○	○				
13	○	○	○	○	○				
14	○	○	○	○	○				
15	○	○	○	○	○				
16	○	○	○	○	○				
17								○	
18								○	
19								○	

RHD model

Terminal No.	Mode selector switch					RECIRC switch		A/C switch	Illumi.
	VENT	BI-LEV	HEAT	DEF/HEAT	DEF	RECIRC	FRESH		
1	○								
2		○							
3			○						
4				○					
5					○				
6							○		
7						○			
8								○	
9	○	○	○	○	○			○	
10									○
11									
12									○
13	○	○	○	○	○	○	○	○	
14								○	
15									
16								○	



C: ADJUSTMENT

- 1) Operate temperature control lever to "FULL COLD" position.
- 2) Install control cable to lever ①. While pushing outer cable, secure control cable with clip ②.

D: INSTALLATION

Installation is in the reverse order of removal.

NOTE:

Before control unit installation, set temperature control lever to "FULL COLD" position.