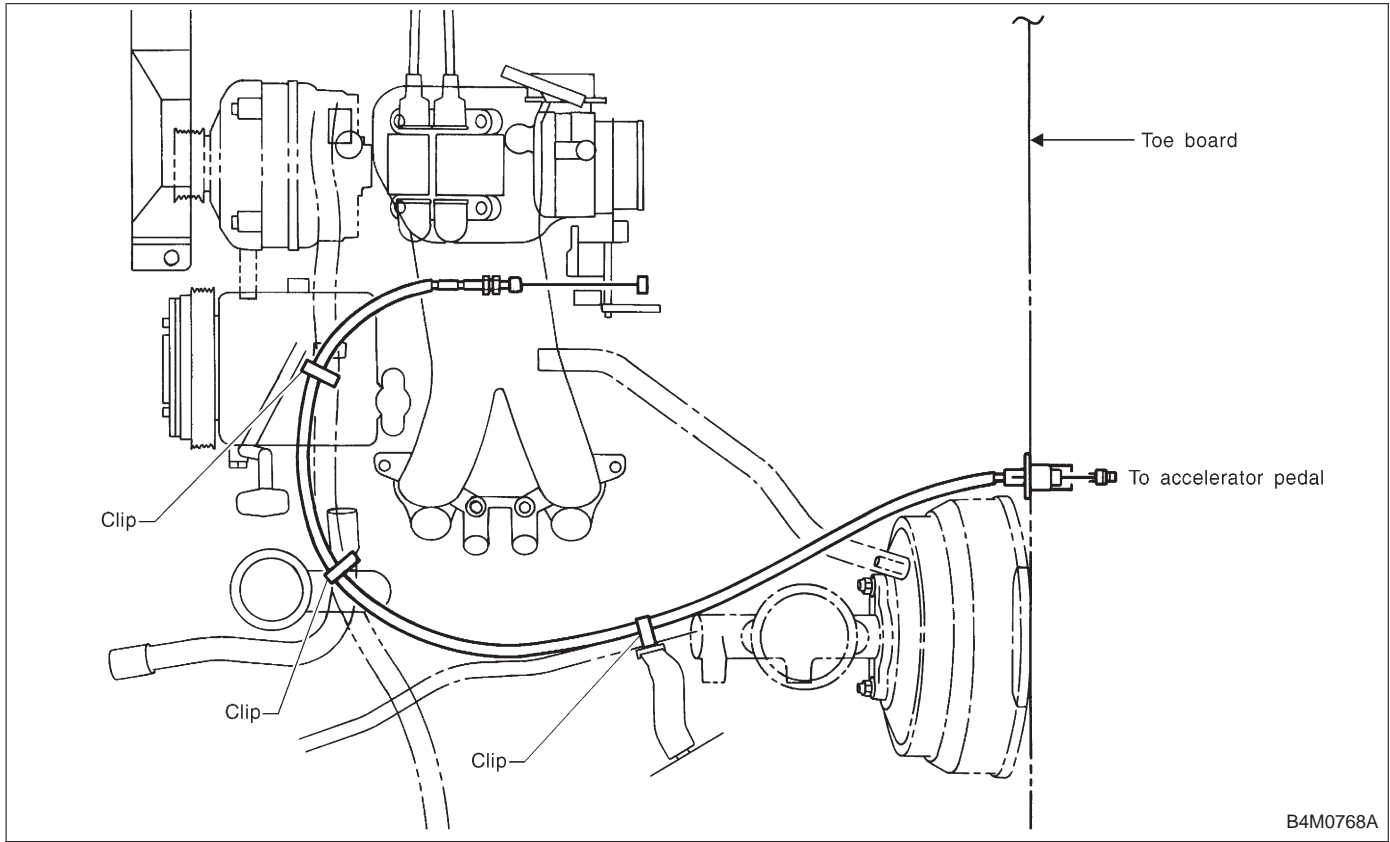
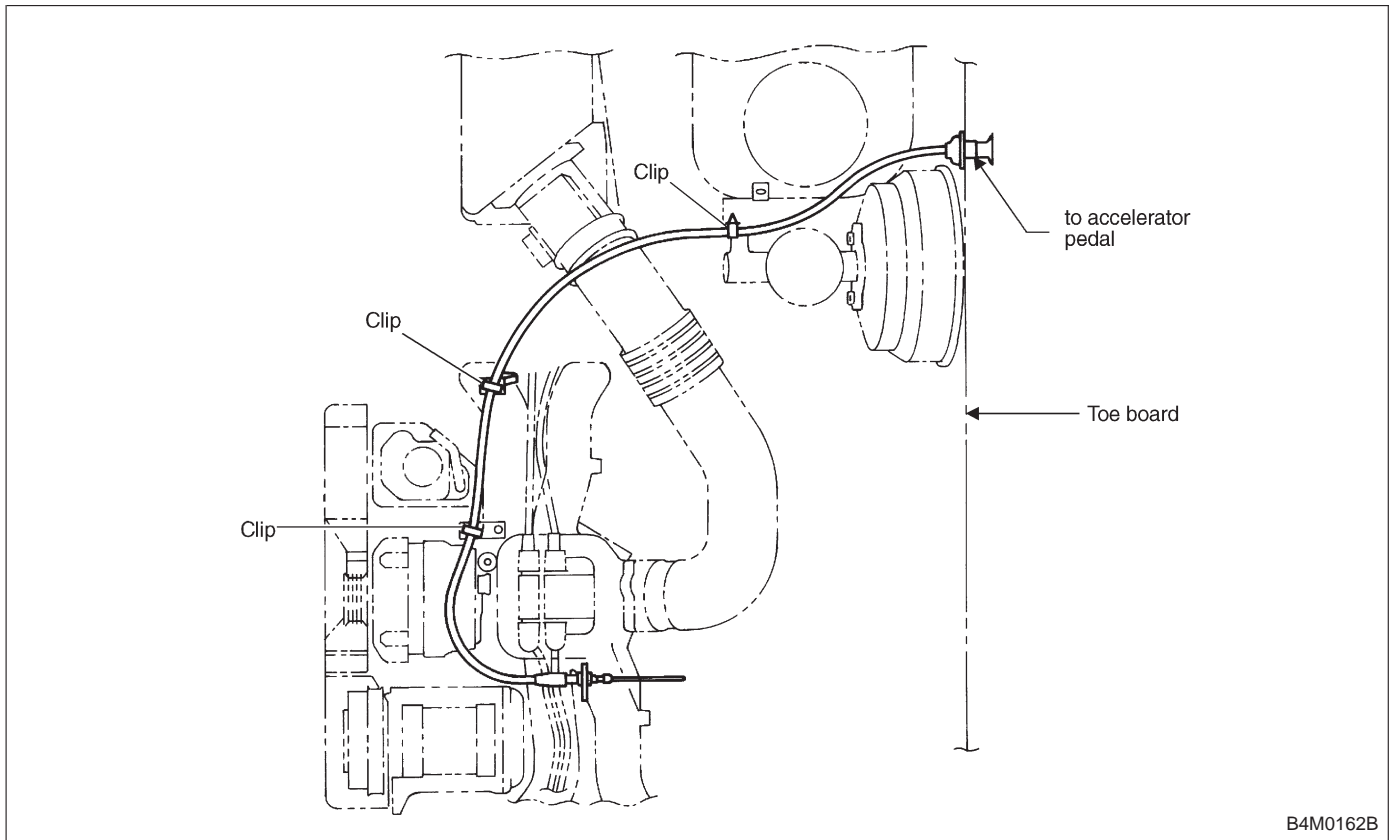


3. Accelerator Cable

1. LHD MODEL

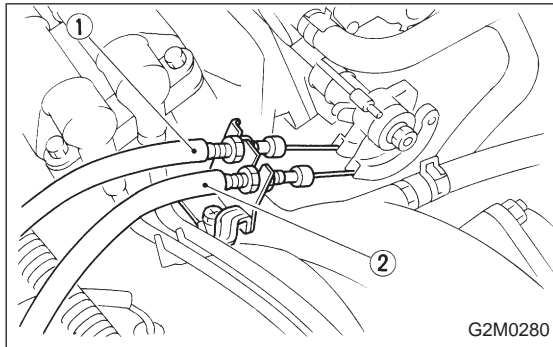


2. RHD MODEL



A: REMOVAL

1) Disconnect accelerator cable from connector inside engine compartment first.

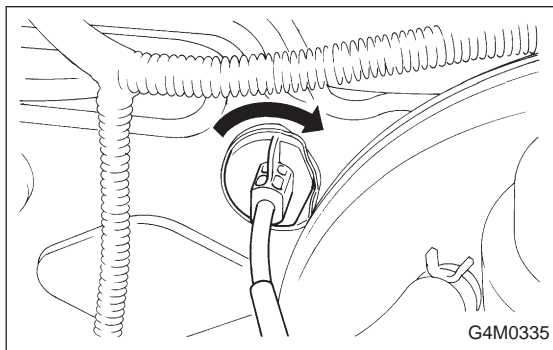


2) Remove lock nut from accelerator cable bracket.
 3) Separate accelerator cable ① from bracket, then unlock inner cable.
 4) Remove cable end from throttle cam using your fingertips.

CAUTION:

Be careful not to bend inner cable.

5) Disconnect cable end from accelerator cable bracket inside driver compartment.
 6) Remove clip inside engine compartment.



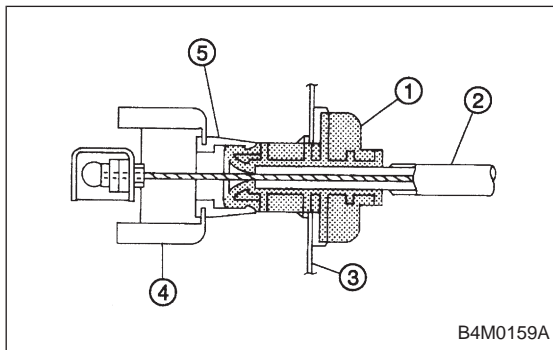
7) Working inside engine compartment, remove the casing cap out of the toe board by turning it clockwise.
 8) Pull out the cable from the toe board hole.

B: INSTALLATION

1) Installation is in the reverse order of removal procedures.

CAUTION:

- Be careful not to kink accelerator cable.
- Make sure that holder and casing cap are securely connected.



- ① Casing cap
 - ② Accelerator cable
 - ③ Toe board
 - ④ Accelerator pedal bracket
 - ⑤ Holder
- 2) Adjustment after cable installation.
 <Ref. to 4-5 [W1A3].>