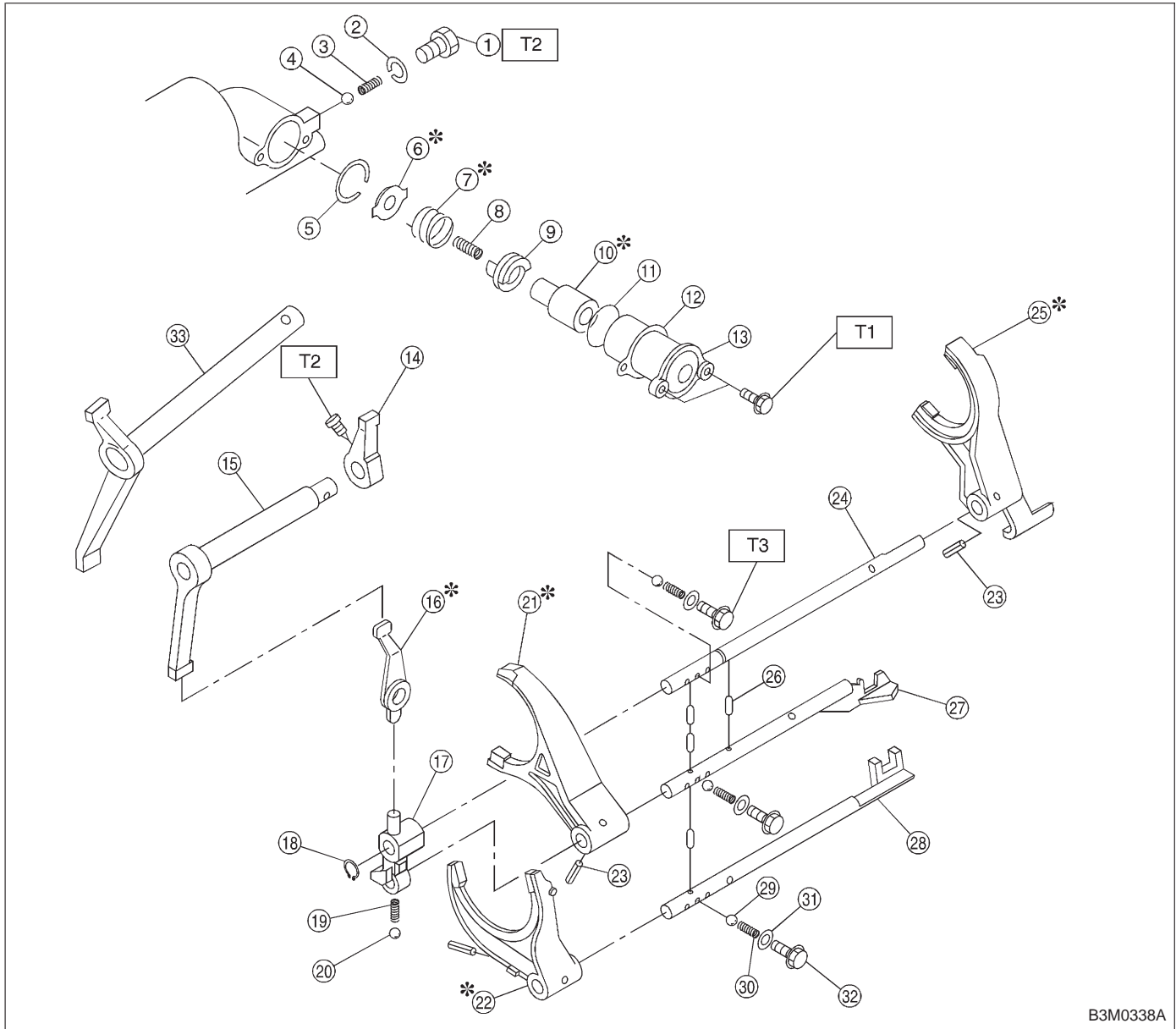


4. Shifter Fork and Shifter Rod



B3M0338A

- ① Plug
- ② Gasket
- ③ Reverse accent spring
- ④ Ball
- ⑤ Snap ring (Inner)
- ⑥ Reverse check plate
- ⑦ Reverse check spring
- ⑧ Reverse return spring
- ⑨ Reverse check cam
- ⑩ Reverse accent shaft
- ⑪ O-ring
- ⑫ Adjusting select shim
- ⑬ Reverse check sleeve

- ⑭ Selector arm (AWD model)
- ⑮ Shifter arm (AWD model)
- ⑯ Reverse shifter lever
- ⑰ Reverse fork rod arm
- ⑱ Snap ring (Outer)
- ⑲ Spring
- ⑳ Ball
- ㉑ 3rd-4th shifter fork
- ㉒ 1st-2nd shifter fork
- ㉓ Straight pin
- ㉔ Reverse fork rod
- ㉕ 5th shifter fork
- ㉖ Interlock plunger

- ㉗ 3rd-4th fork rod
- ㉘ 1st-2nd fork rod
- ㉙ Ball
- ㉚ Checking ball spring
- ㉛ Gasket
- ㉜ Checking ball plug
- ㉝ Shifter arm (FWD model)

Tightening torque: N·m (kg·m, ft·lb)
T1: 6.4±0.5 (0.65±0.05, 4.7±0.4)
T2: 10±1 (1.0±0.1, 7.2±0.7)
T3: 19.6±1.5
(2.00±0.15, 14.5±1.1)