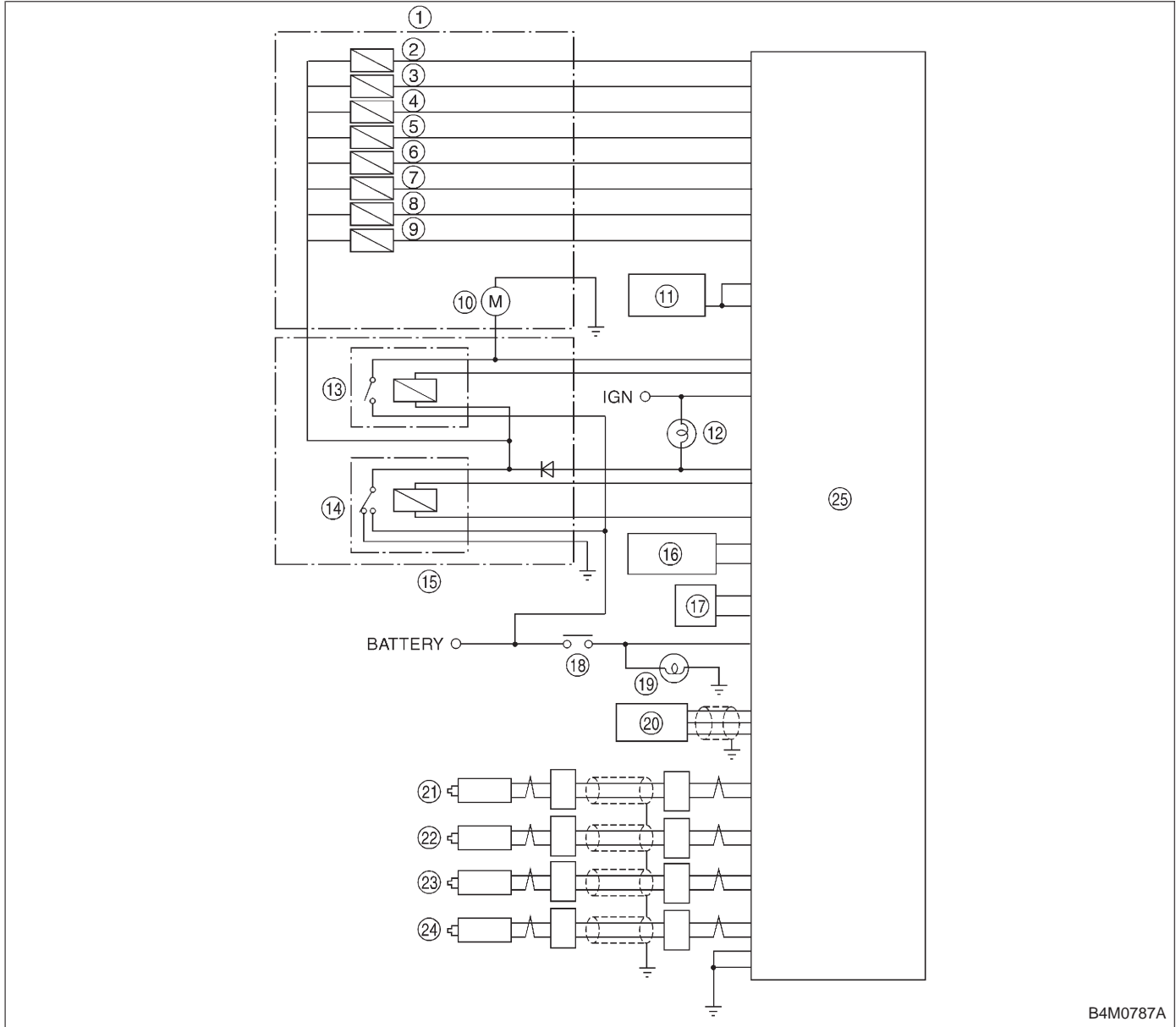


4. Schematic



B4M0787A

- | | |
|---|------------------------------|
| ① Hydraulic control unit (H/U) | ⑭ Valve relay |
| ② Front left inlet solenoid valve | ⑮ Relay box |
| ③ Front left outlet solenoid valve | ⑯ Data link connector |
| ④ Front right inlet solenoid valve | ⑰ Diagnosis connector |
| ⑤ Front right outlet solenoid valve | ⑱ Stop light switch |
| ⑥ Rear left inlet solenoid valve | ⑲ Stop light |
| ⑦ Rear left outlet solenoid valve | ⑳ G sensor (only AWD model) |
| ⑧ Rear right inlet solenoid valve | ㉑ Front left ABS sensor |
| ⑨ Rear right outlet solenoid valve | ㉒ Front right ABS sensor |
| ⑩ Motor | ㉓ Rear left ABS sensor |
| ⑪ Transmission control module (only AT model) | ㉔ Rear right ABS sensor |
| ⑫ ABS warning light | ㉕ ABS control module (ABSCM) |
| ⑬ Motor relay | |