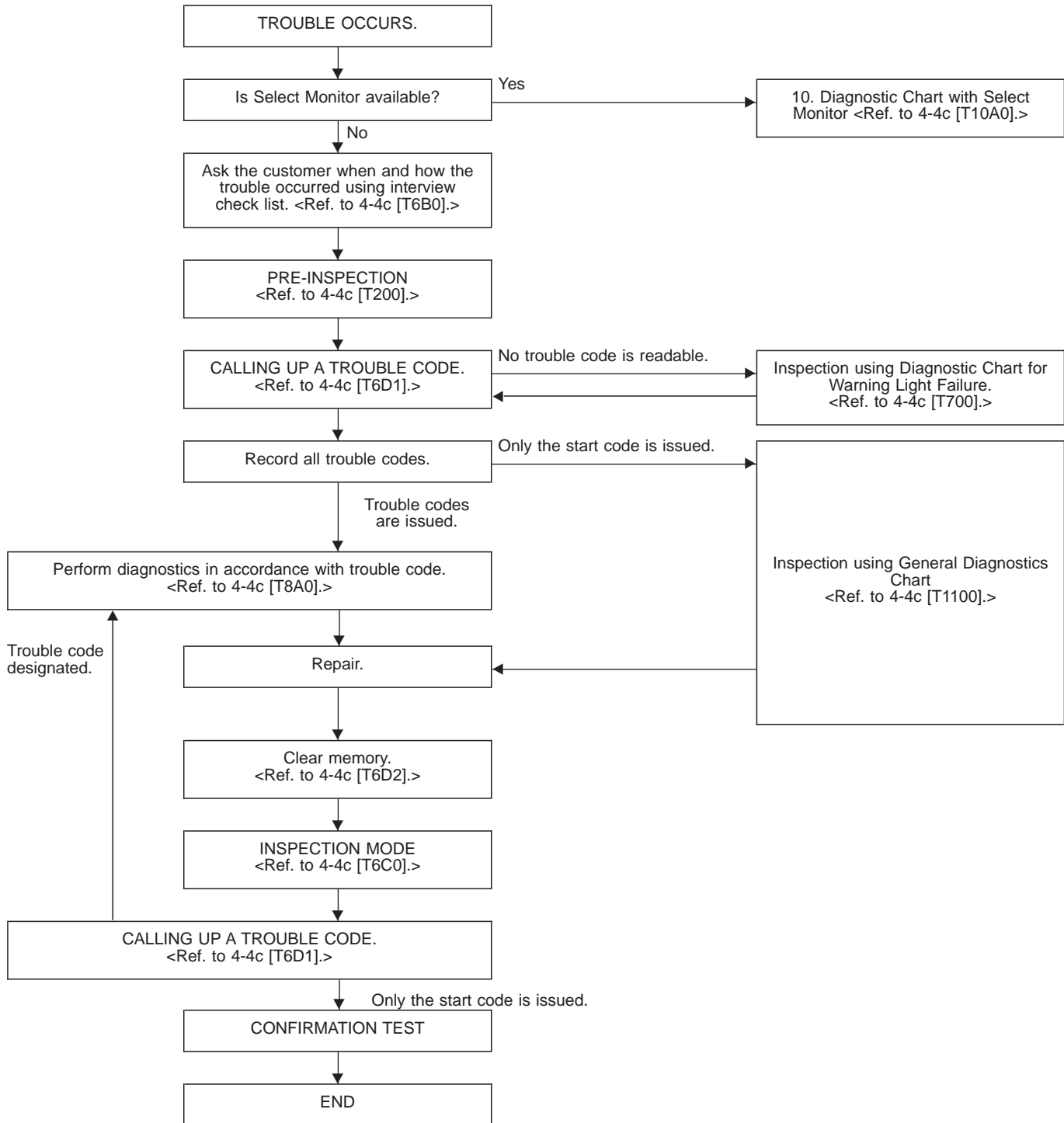


6. Diagnostics Chart for On-board Diagnosis System

A: BASIC DIAGNOSTICS PROCEDURE



NOTE:

- To check harness for broken wires or short circuits, shake it while holding it or the connector.
- When ABS warning light illuminates, read and record trouble code indicated by ABS warning light.

B: CHECK LIST FOR INTERVIEW

Check the following items about the vehicle's state.

1. THE STATE OF THE WARNING LIGHTS

| | |
|---|---|
| a. ABS warning light | |
| ① Is always on. ② Sometimes comes on. ③ Comes on only once. ④ Does not come on. | |
| When/how long does it come on? | |
| Ignition key position | ① Lock ② Acc ③ On (before starting engine) ④ Start ⑤ On after starting (Engine: run) ⑥ On after starting (Engine: stop) |
| Timing | ① Immediately after ignition is on. ② Immediately after ignition starts. ③ When advancing (Speed__miles/h → __miles/h) ④ While traveling at a constant speed (Speed__miles/h) ⑤ When decelerating (Speed__miles/h → __miles/h) ⑥ When turning (To right, to left, steering angle__deg., steering time__sec) ⑦ When moving other electrical parts (Part name:____, Operating condition_____) |

2. SYMPTOMS

| | |
|-------------------------|---|
| ABS operating condition | ① Performs no work. ② Operates only when abruptly applying brakes. (Conditions: vehicle speed__miles/h, how to step on brake pedal__) ③ Operating time (__sec., etc._____) ④ Operating noise (Produced/Not produced) ⑤ What kind of noise? (Knock, gong gong, bong, buzz, gong gong buzz, etc._____) ⑥ Reaction force of brake pedal (Stick, pressed down once with a clunk, pressed and released, etc._____) |
| Behavior of vehicle | ① Directional stability cannot be obtained or steering arm refuses to work when applying brakes (vehicle turns to right, turns to left, spins, etc._____. ② Directional stability cannot be obtained or steering arm refuses to work when accelerating (vehicle turns to right, turns to left, spins, etc._____. ③ Brakes are out of order (braking distance is long, brakes lock or drag, pedal stroke is long, pedal sticks, etc._____. ④ Poor acceleration (fails to accelerate, engine stalls, etc._____. ⑤ Vibration, abnormal noise (operating noise is loud, noise is produced during operation from the front of vehicle (right, left) (tones:____), noise is produced during operation from the rear of vehicle (tones:____, others____) ⑥ Other phenomena (concrete symptoms_____) |

3. CONDITIONS UNDER WHICH TROUBLE OCCURS

| | |
|-------------|---|
| Environment | ① Weather (fine, cloudy, rain, snow, etc. ____) ② Ambient temperature (____°C/°F) ③ Road (urban area, suburbs, highway, general road, ascending slope, descending slope, paved road, gravel road, muddy road, sandy place, etc. ____) ④ Road surface (dry, wet, new-fallen snow, compressed snow, frozen slope, etc._____) |
| Conditions | ① Brakes (deceleration__g, continuous/intermittent) ② Accelerator (acceleration__g, continuous/intermittent) ③ Travel speed (__miles, advancing, accelerating, reducing speed, low speed, turning, etc._____) ④ Condition of tire of each wheel (air pressure____, degree of wear____, whether or not genuine parts are used, whether or not chain is passed around tires, whether or not T tire is used.) others (_____) ⑤ Condition of suspension alignment (_____) ⑥ Loading state (_____) |

4. REPAIRED PARTS ARE USED OR NOT

C: INSPECTION MODE

Reproduce the condition under which the problem has occurred as much as possible.
 Drive the vehicle at a speed more than 40 km/h (25 MPH) for at least one minute.

D: TROUBLE CODES

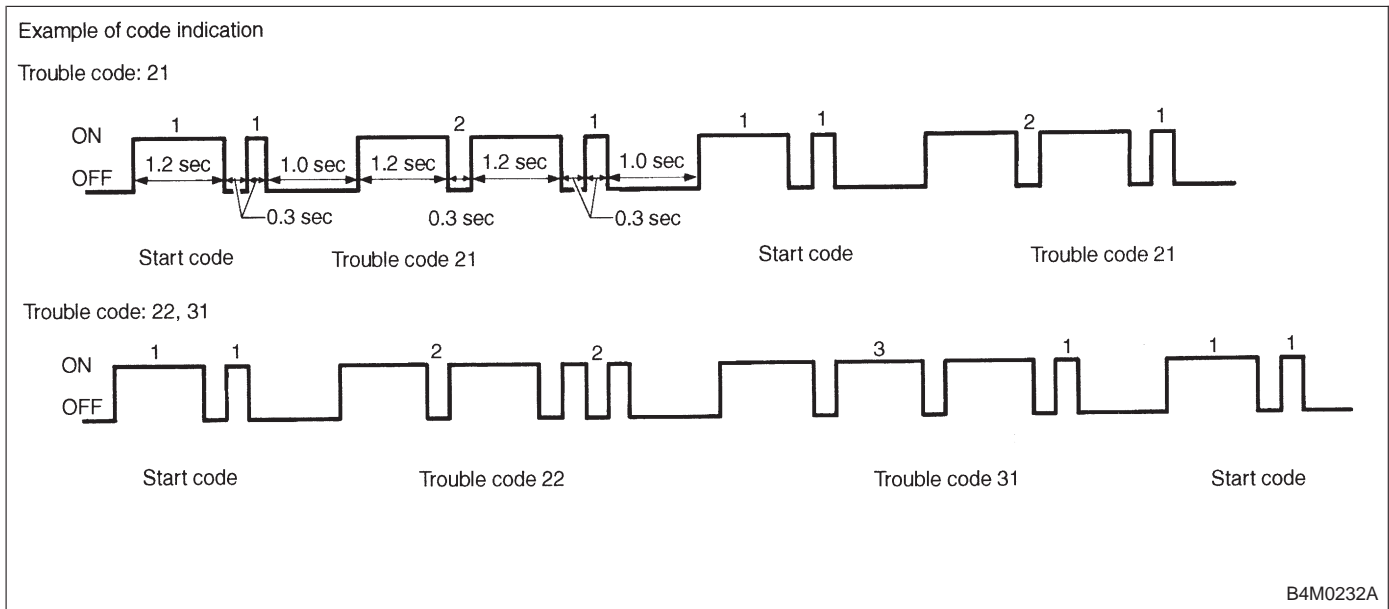
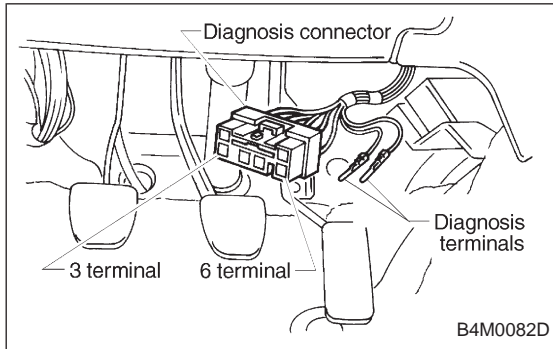
When on-board diagnosis of the ABS control module detects a problem, the information (up to a maximum of three) will be stored in the EEP ROM as a trouble code. When there are more than three, the most recent three will be stored. (Stored codes will stay in memory until they are cleared.)

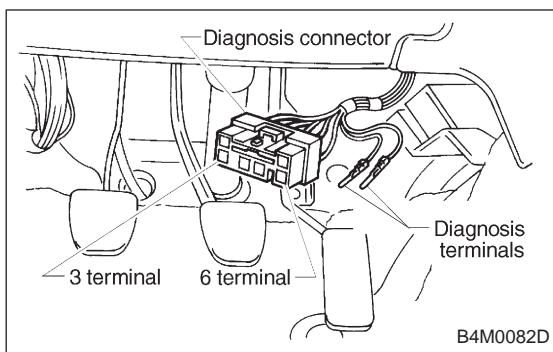
1. CALLING UP A TROUBLE CODE

- 1) Take out diagnosis connector from side of driver's seat heater unit.
- 2) Turn ignition switch OFF.
- 3) Connect diagnosis connector terminal 6 to diagnosis terminal.
- 4) Turn ignition switch ON.
- 5) ABS warning light is set in the diagnostic mode and blinks to identify trouble code.
- 6) After the start code (11) is shown, the trouble codes will be shown in order of the last information first. These repeat for a maximum of 5 minutes.

NOTE:

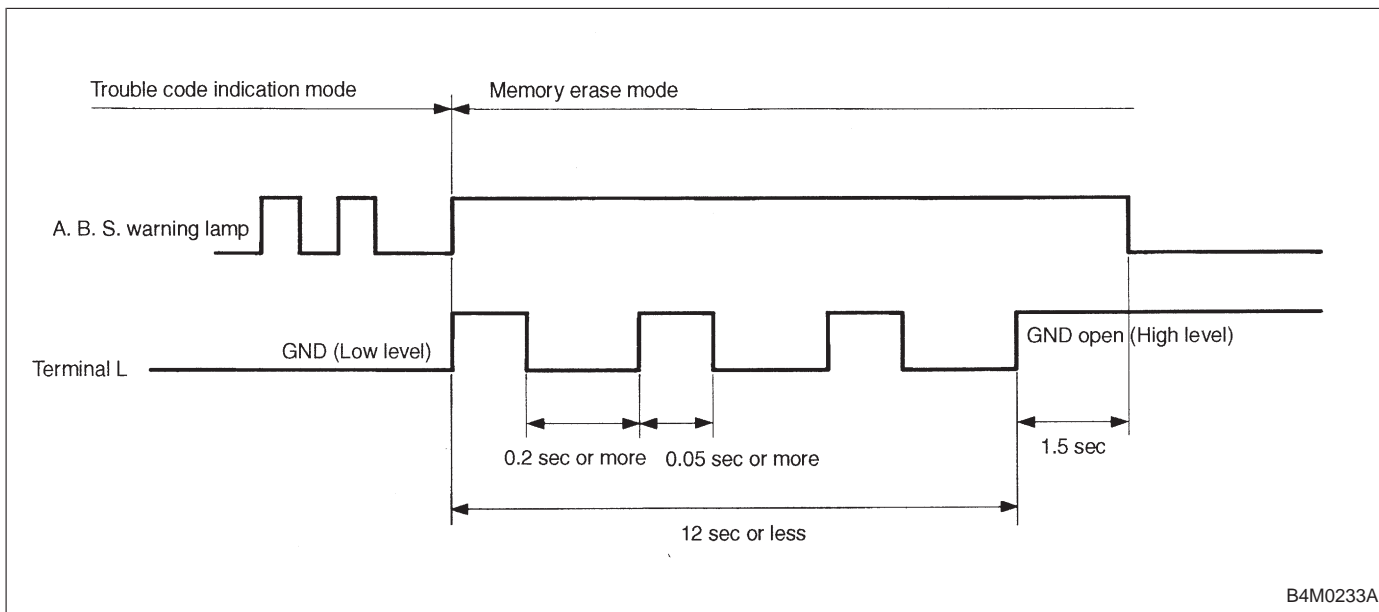
When there are no trouble codes in memory, only the start code (11) is shown.





2. CLEARING MEMORY

- 1) After calling up a trouble code, disconnect diagnosis connector terminal 6 from diagnosis terminal.
- 2) Repeat 3 times within approx. 12 seconds; connecting and disconnecting terminal 6 and diagnosis terminal for at least 0.05 seconds each time.



NOTE:
 After diagnostics is completed, make sure to clear memory. Make sure only start code (11) is shown after memory is cleared.