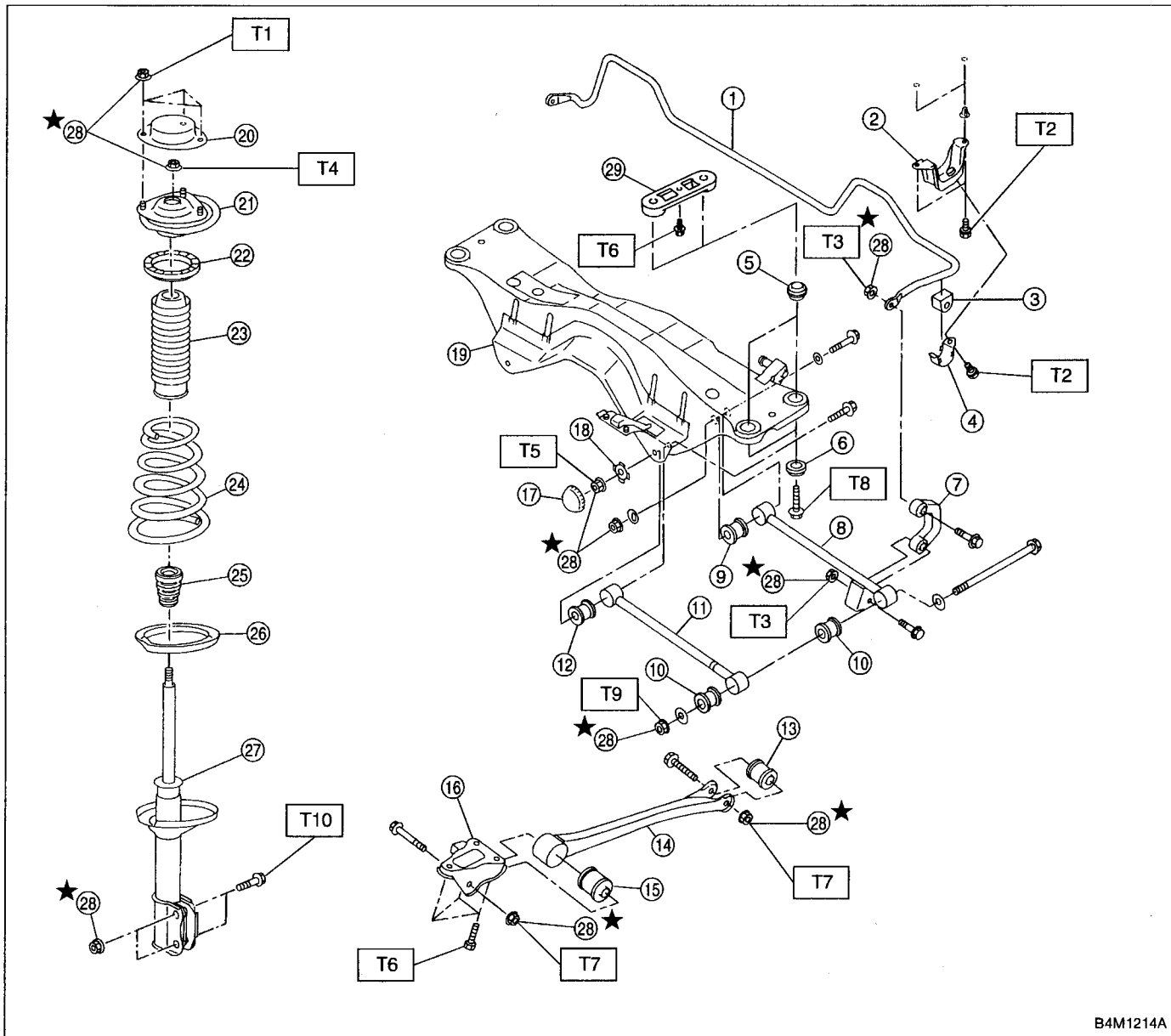


1. Conventional Suspension

4. REAR SUSPENSION (SUS MODEL)



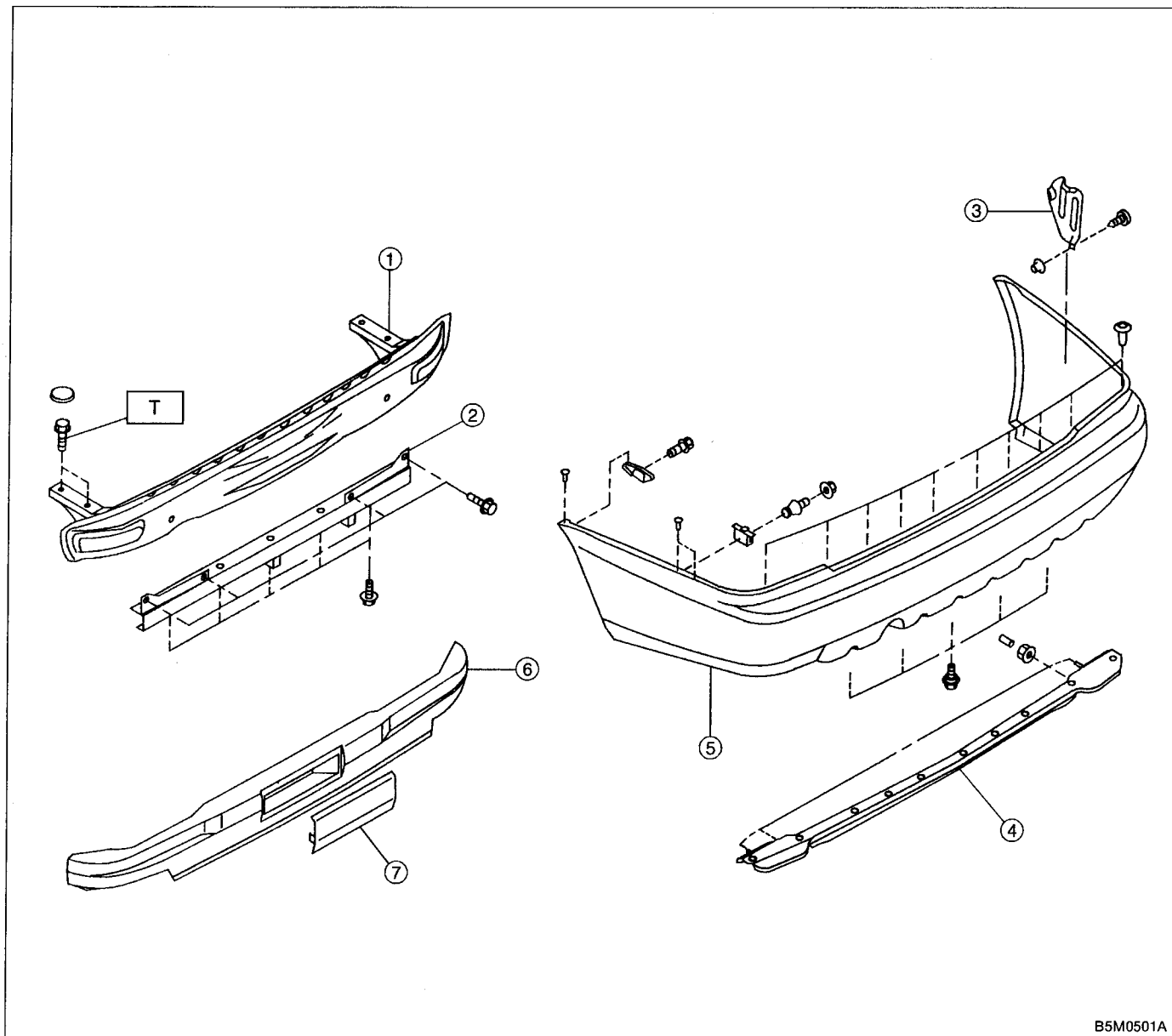
B4M1214A

- ① Stabilizer
- ② Stabilizer bracket
- ③ Stabilizer bushing
- ④ Clamp
- ⑤ Floating bushing
- ⑥ Stopper
- ⑦ Stabilizer link
- ⑧ Rear lateral link
- ⑨ Bushing (C)
- ⑩ Bushing (A)
- ⑪ Front lateral link
- ⑫ Bushing (B)
- ⑬ Trailing link rear bushing
- ⑭ Trailing link
- ⑮ Trailing link front bushing
- ⑯ Trailing link bracket
- ⑰ Cap (Protection)
- ⑱ Washer
- ⑲ Rear crossmember
- ⑳ Strut mount cap
- ㉑ Strut mount
- ㉒ Rubber seat upper
- ㉓ Dust cover
- ㉔ Coil spring
- ㉕ Helper
- ㉖ Rubber seat lower
- ㉗ Damper strut
- ㉘ Self-locking nut
- ㉙ Adapter rear crossmember (OUTBACK model)

Tightening torque: N·m (kg·m, ft·lb)

- T1: 20 ± 6 (2.0 ± 0.6, 14.5 ± 4.3)
- T2: 25 ± 7 (2.5 ± 0.7, 18.1 ± 5.1)
- T3: 44 ± 6 (4.5 ± 0.6, 32.5 ± 4.3)
- T4: 59 ± 10 (6.0 ± 1.0, 43 ± 7)
- T5: 98 ± 15 (10.0 ± 1.5, 72 ± 11)
- T6: 98 ± 20 (10.0 ± 2.0, 72 ± 14)
- T7: 113 ± 15 (11.5 ± 1.5, 83 ± 11)
- T8: 127 ± 20 (13.0 ± 2.0, 94 ± 14)
- T9: 137 ± 20 (14.0 ± 2.0, 101 ± 14)
- T10: 196 ⁺³⁹/₋₁₀ (20.0 ^{+4.0}/_{-1.0}, 145 ⁺²⁹/₋₇)

11. Rear Bumper (SUS)



- ① Beam complete rear
- ② Beam lower complete rear
- ③ Bracket side rear
- ④ Beam upper rear
- ⑤ Bumper face
- ⑥ E-A foam
- ⑦ E-A honeycomb

Tightening torque: N·m (kg·m, ft·lb)
T: 95 ± 25 (9.5 ± 2.5, 69 ± 18)

8. Electrical Wiring Harness and Ground Point

Connector				Connecting to	
No.	Pole	Color	Area	No.	Name
R17	1	Black	A-3		Rear defogger (Power)
R18	2	Black	B-3		Rear speaker RH
R19	2	*	B-3		High-mounted stop light
R20	2	Blue	B-2		Trunk room light
R21	2	Black	B-2		Rear speaker LH
R22	1	Brown	B-1		Rear door switch LH
R23	3	*	B-2		Power antenna
R24	6	*	B-3	R60	Trunk lid cord (Without security system)
	8	*	B-3	R60	Trunk lid cord (With security system)
R25	2	Black	B-4		Rear defogger condenser
R26	4	*	B-4		Rear combination light RH
R27	2	*	B-4		Trunk room light switch
R28	4	*	B-3		Rear combination light LH
R45	6	*	B-4		Trailer connector (SUS model)
R47	3	*	B-3		Fuel tank pressure sensor
R60	6	*	B-4	R24	Rear wiring harness (Without security system)
	8	*	B-4	R24	Rear wiring harness (With security system)
R61	3	*	B-4		Key switch (Security)
R62	4	*	B-4		Rear finisher light RH
R63	2	*	B-3		License plate light
R64	4	*	B-3		Rear finisher light LH
R65	1	Black	A-2		Rear defogger (Ground)
R66	2	Black	B-4		High-mounted stop light (Rear spoiler)

*: Non-colored

8. I

A

B

C

D