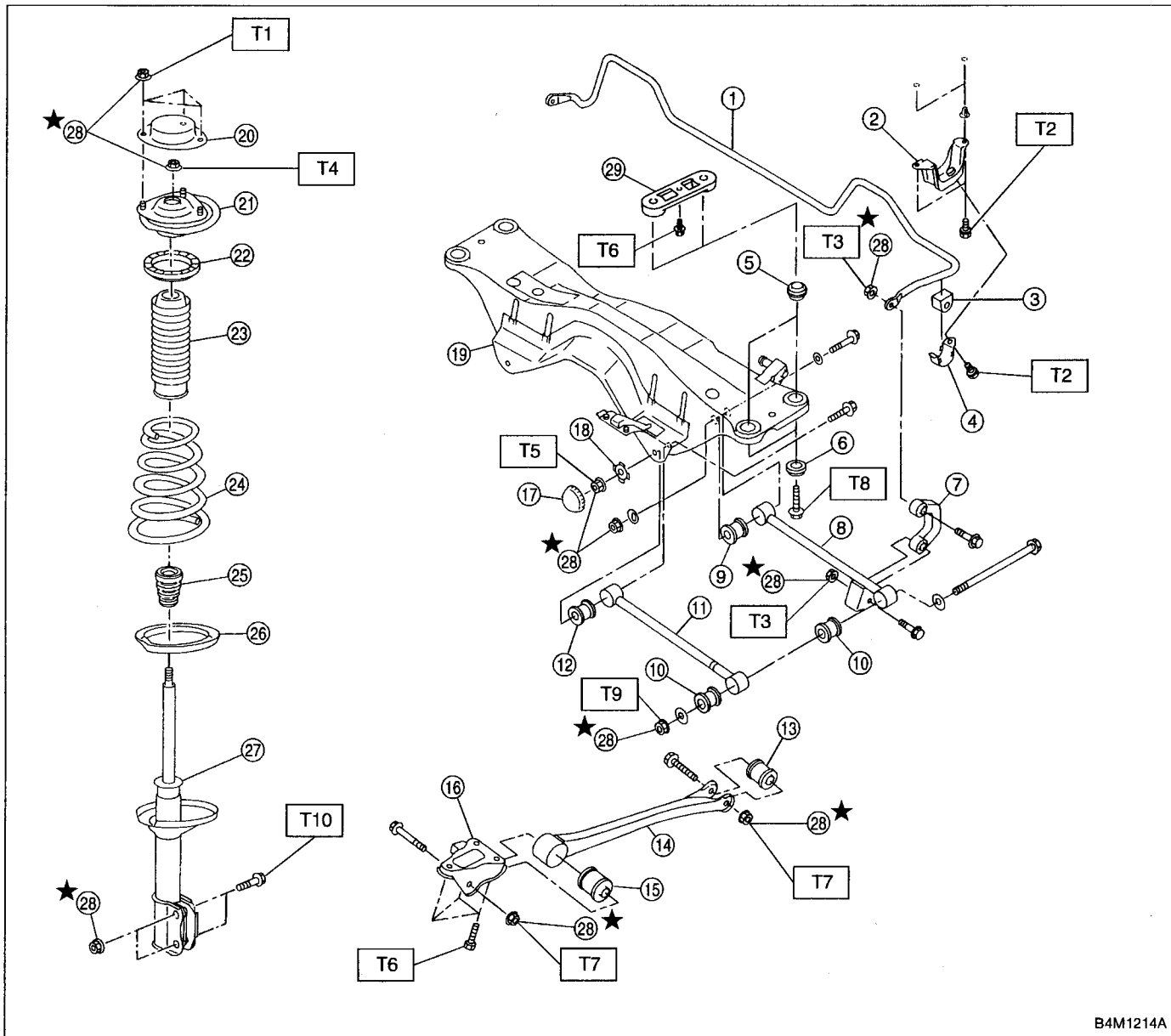


1. Conventional Suspension

4. REAR SUSPENSION (SUS MODEL)



B4M1214A

- ① Stabilizer
- ② Stabilizer bracket
- ③ Stabilizer bushing
- ④ Clamp
- ⑤ Floating bushing
- ⑥ Stopper
- ⑦ Stabilizer link
- ⑧ Rear lateral link
- ⑨ Bushing (C)
- ⑩ Bushing (A)
- ⑪ Front lateral link
- ⑫ Bushing (B)
- ⑬ Trailing link rear bushing
- ⑭ Trailing link
- ⑮ Trailing link front bushing
- ⑯ Trailing link bracket
- ⑰ Cap (Protection)
- ⑱ Washer
- ⑲ Rear crossmember
- ⑳ Strut mount cap
- ㉑ Strut mount
- ㉒ Rubber seat upper
- ㉓ Dust cover
- ㉔ Coil spring
- ㉕ Helper
- ㉖ Rubber seat lower
- ㉗ Damper strut
- ㉘ Self-locking nut
- ㉙ Adapter rear crossmember (OUTBACK model)

Tightening torque: N·m (kg·m, ft·lb)

- T1: 20 ± 6 (2.0 ± 0.6, 14.5 ± 4.3)
- T2: 25 ± 7 (2.5 ± 0.7, 18.1 ± 5.1)
- T3: 44 ± 6 (4.5 ± 0.6, 32.5 ± 4.3)
- T4: 59 ± 10 (6.0 ± 1.0, 43 ± 7)
- T5: 98 ± 15 (10.0 ± 1.5, 72 ± 11)
- T6: 98 ± 20 (10.0 ± 2.0, 72 ± 14)
- T7: 113 ± 15 (11.5 ± 1.5, 83 ± 11)
- T8: 127 ± 20 (13.0 ± 2.0, 94 ± 14)
- T9: 137 ± 20 (14.0 ± 2.0, 101 ± 14)
- T10: 196⁺³⁹₋₁₀ (20.0^{+4.0}_{-1.0}, 145⁺²⁹₋₇)