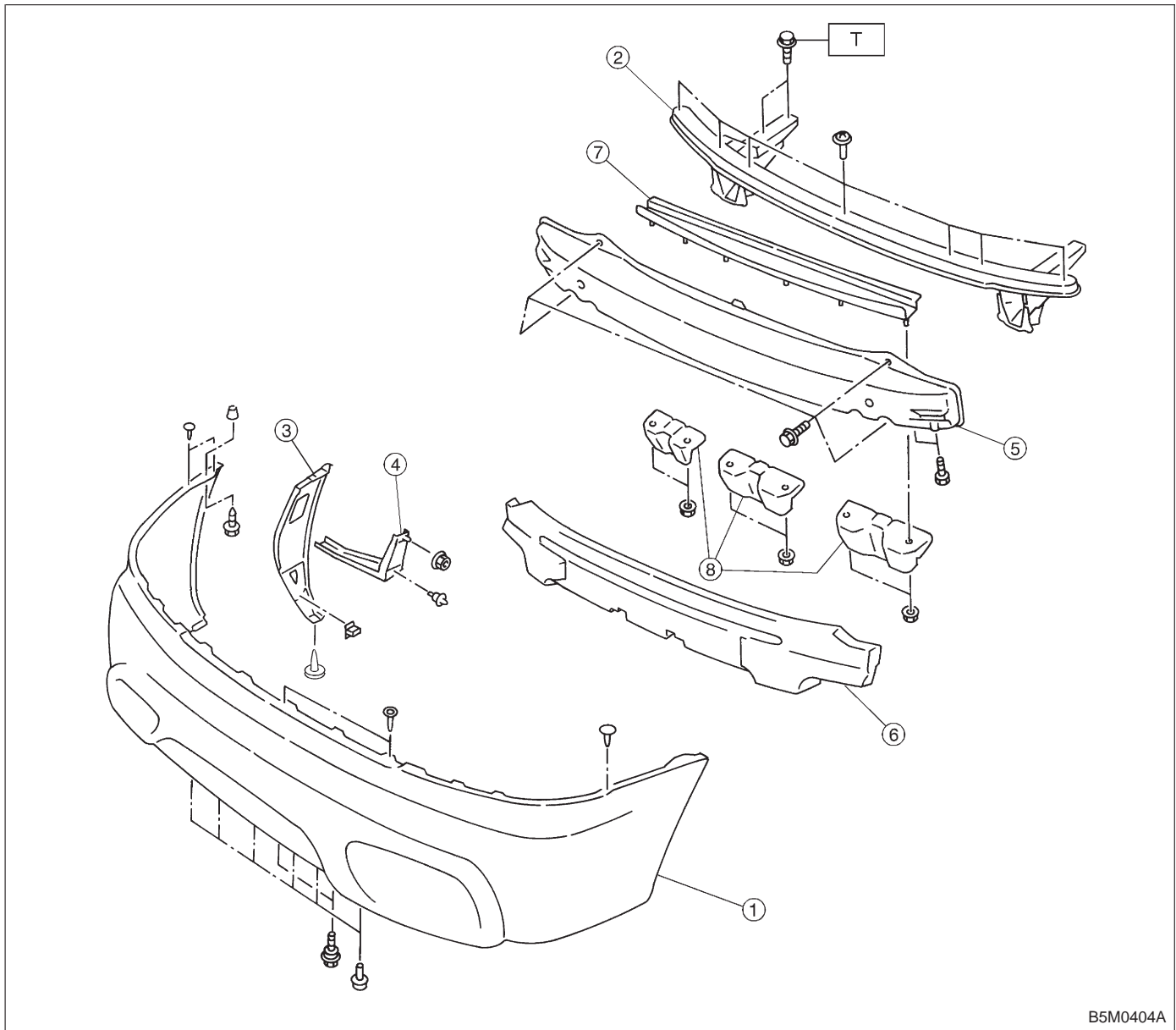


9. Front Bumper (Outback with step roof)



B5M0404A

- ① Bumper face
- ② Front bumper beam
- ③ Bracket
- ④ Stay
- ⑤ Back beam (Front)
- ⑥ E-A foam (Front)
- ⑦ Holder
- ⑧ Back beam bracket

Tightening torque: N·m (kg·m, ft·lb)
T: 93±25 (9.5±2.5, 69±18)