

**B: INSTALLATION**

- 1) Installation is in the reverse order of removal.
- 2) Check for alignment of front fender with hood and front door with front fender at all points. Adjust, if necessary.

**9. Mud Guard and Rear Arch Protector** **AIRBAG**

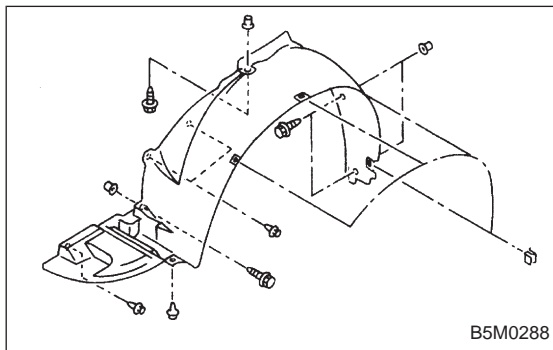
**A: REMOVAL**

**SUPPLEMENTAL RESTRAINT SYSTEM "AIRBAG"**

Airbag system wiring harness is routed near the mud guard.

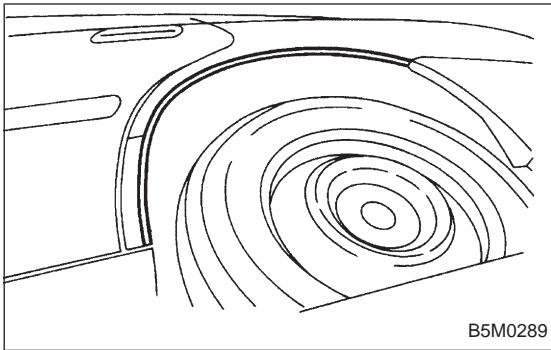
**CAUTION:**

- All Airbag system wiring harness and connectors are colored yellow. Do not use electrical test equipment on these circuits.
- Be careful not to damage Airbag system wiring harness when servicing the mud guard.



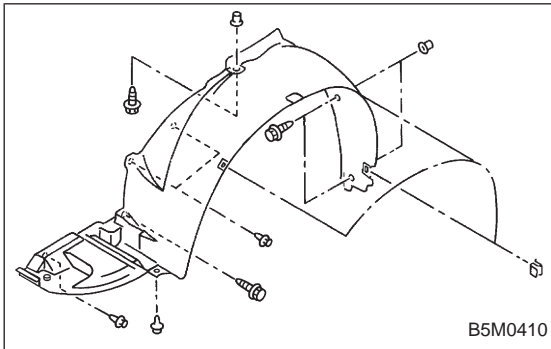
**1. MUD GUARD (EXCEPT OUTBACK WITH STEP ROOF)**

- 1) Jack-up vehicle to remove tire.
- 2) Remove screws and clips. Move mud guard toward the center of the body and remove mud guard.



## 2. REAR ARCH PROTECTOR

Remove rear arch protector.



## 3. MUD GUARD (OUTBACK WITH STEP ROOF)

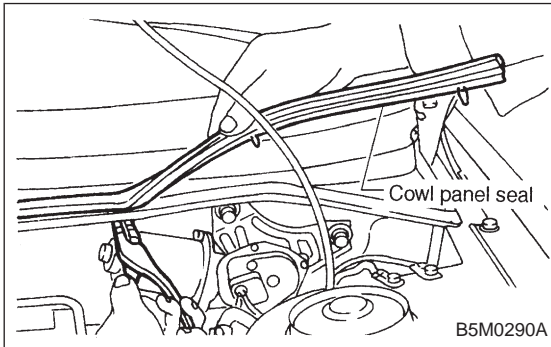
- 1) Jack-up vehicle to remove tire.
- 2) Remove screws and clips. Move mud guard toward the center of the body and remove mud guard.

## B: INSTALLATION

Installation is in the reverse order of removal.

### CAUTION:

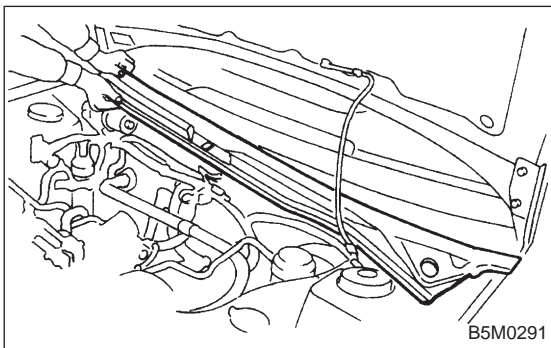
Only use new screws and clips.



## 10. Cowl Panel

### A: REMOVAL

- 1) Remove wiper arms.
- 2) Open front hood.
- 3) Remove cowl panel seal using a plier.



- 4) Lift cowl panel and detach it from clips attached to body panel.