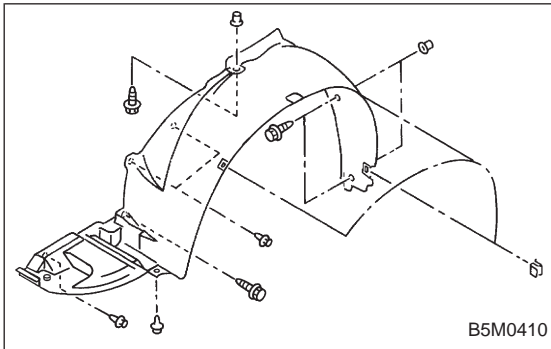


## 2. REAR ARCH PROTECTOR

Remove rear arch protector.



## 3. MUD GUARD (OUTBACK WITH STEP ROOF)

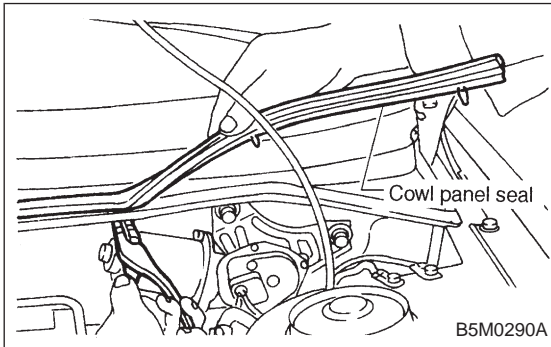
- 1) Jack-up vehicle to remove tire.
- 2) Remove screws and clips. Move mud guard toward the center of the body and remove mud guard.

## B: INSTALLATION

Installation is in the reverse order of removal.

### CAUTION:

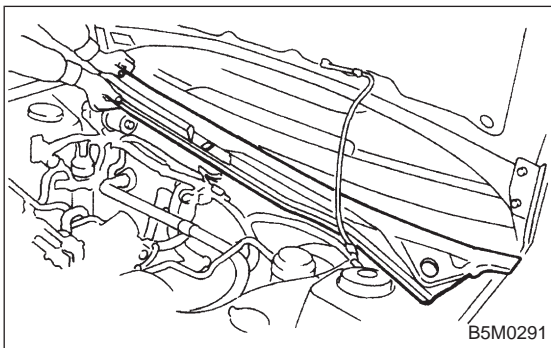
Only use new screws and clips.



## 10. Cowl Panel

### A: REMOVAL

- 1) Remove wiper arms.
- 2) Open front hood.
- 3) Remove cowl panel seal using a plier.



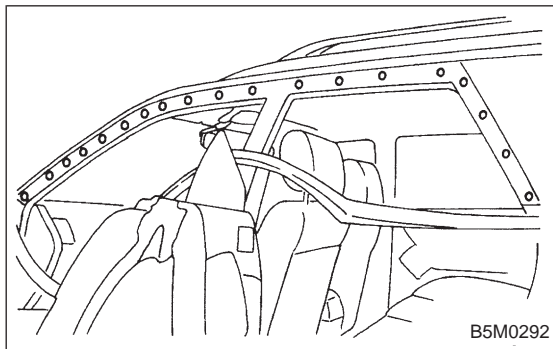
- 4) Lift cowl panel and detach it from clips attached to body panel.

**B: INSTALLATION**

Installation is in the reverse order of removal.

**NOTE:**

When installing cowl panel, first attach a middle clip to the cap attached to body panel. Then tap the cowl panel to attach it to other clips.



**11. Molding and Retainer**

**A: REMOVAL**

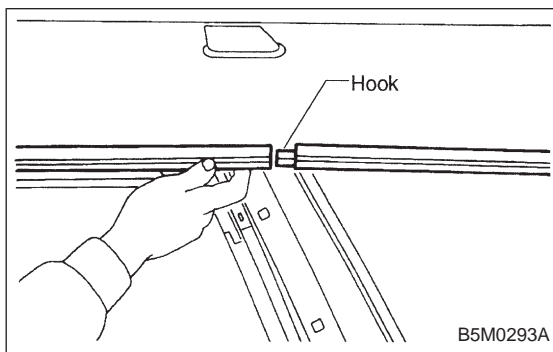
- 1) Remove weatherstrip.
- 2) Remove tapping screws.

**B: INSTALLATION**

Installation is in the reverse order of removal.

**NOTE:**

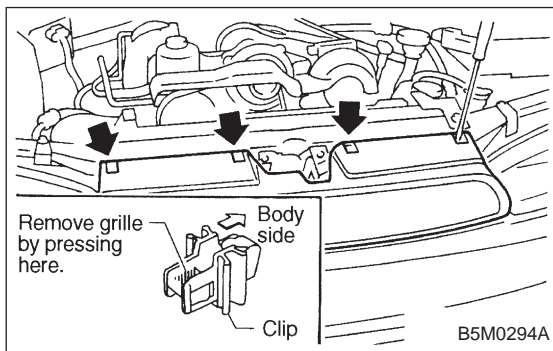
Insert molding and retainer onto hook, then fasten with screws.



**12. Front Grille**

**A: REMOVAL**

- 1) Remove four upper clips from body panel. To facilitate removal, press portion shown in figure using screwdriver.
- 2) Pull front grille to detach it from two lower clips. (Two lower clips remain on headlight.)



**B: INSTALLATION**

Attach all clips to grille. Align them with clip hole in body and push them into place.