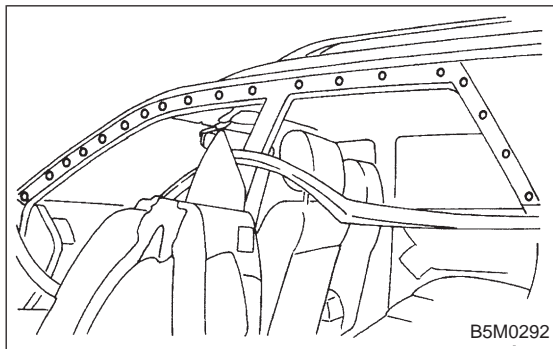


**B: INSTALLATION**

Installation is in the reverse order of removal.

NOTE:

When installing cowl panel, first attach a middle clip to the cap attached to body panel. Then tap the cowl panel to attach it to other clips.



**11. Molding and Retainer**

**A: REMOVAL**

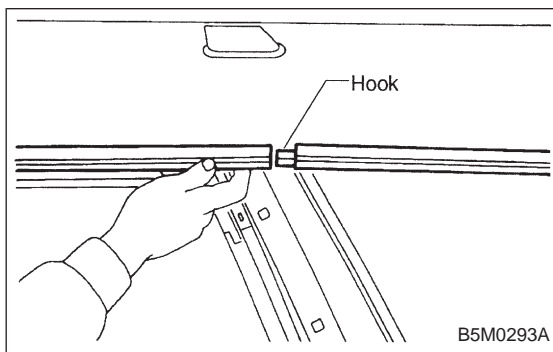
- 1) Remove weatherstrip.
- 2) Remove tapping screws.

**B: INSTALLATION**

Installation is in the reverse order of removal.

NOTE:

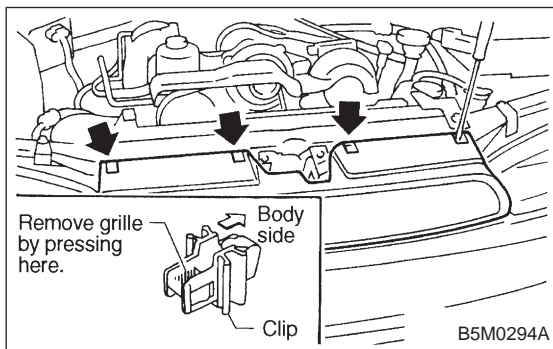
Insert molding and retainer onto hook, then fasten with screws.



**12. Front Grille**

**A: REMOVAL**

- 1) Remove four upper clips from body panel. To facilitate removal, press portion shown in figure using screwdriver.
- 2) Pull front grille to detach it from two lower clips. (Two lower clips remain on headlight.)



**B: INSTALLATION**

Attach all clips to grille. Align them with clip hole in body and push them into place.