

15. Roof Rack (Wagon only, if equipped)

A: REMOVAL

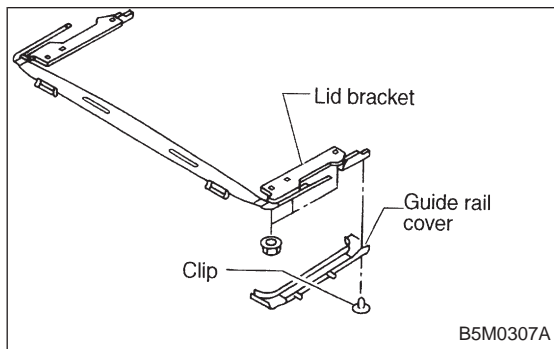
- 1) Remove roof trim, rear quarter trim, pillar trim, etc. <Ref. to 5-3 [W5A0].>
- 2) Remove flange bolts.
- 3) Remove flange nuts.
- 4) Remove roof rail.

B: INSTALLATION

Installation is in the reverse order of removal.

CAUTION:

To prevent deformation, be sure to install roof rail in steps 4), 3), 2) and 1), in that order.

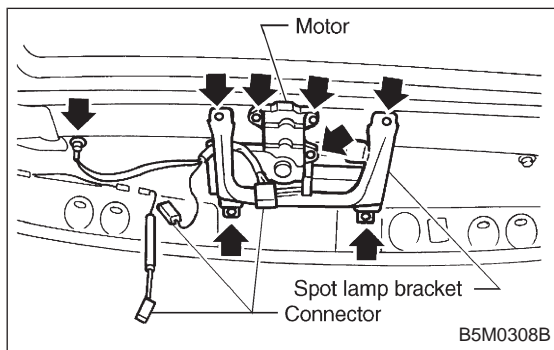


16. Sunroof

A: REMOVAL

1. GLASS LID ASSEMBLY

- 1) Completely open sun shade. (Push it back far.)
- 2) Remove a clip and detach guide rail cover.
- 3) Remove six nuts from the left and right lid bracket.
- 4) Working inside, slightly raise glass lid assembly until it is disengaged from lid bracket.
- 5) Hold both ends of glass lid assembly and remove it at an angle.



2. SUNROOF MOTOR AND RELAY

- 1) Remove center pillar trim upper. <Ref. to 5-3 [W5A3].>
- 2) Remove front pillar trim upper. <Ref. to 5-3 [W5A4].>
- 3) Remove assist grip on left side.
- 4) Remove sunvisor with hook.
- 5) Remove sunroof switch.
- 6) Remove rearview mirror.
- 7) While rolling up roof trim, disconnect harness clips and connector.
- 8) While rolling up roof trim, remove spot lamp bracket and sunroof motor.