

17. Roof Rail (Outback with step roof)

A: REMOVAL

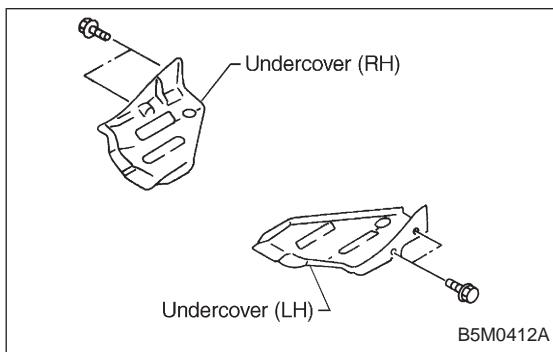
- 1) Remove roof trim, rear quarter trim, pillar trim, etc. <Ref. to 5-3 [W5A0].>
- 2) Remove flange bolts.
- 3) Remove flange nuts.
- 4) Remove roof rail.

B: INSTALLATION

Installation is in the reverse order of removal.

CAUTION:

To prevent deformation, be sure to install roof rail in steps 4), 3), 2) and 1), in that order.



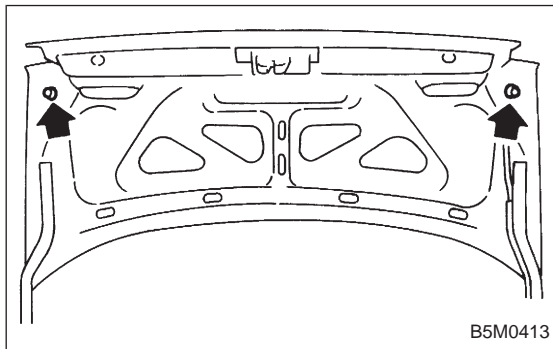
18. Undercover

A: REMOVAL AND INSTALLATION

- 1) Remove undercover mounting bolts.
- 2) Installation is in the reverse order of removal.

NOTE:

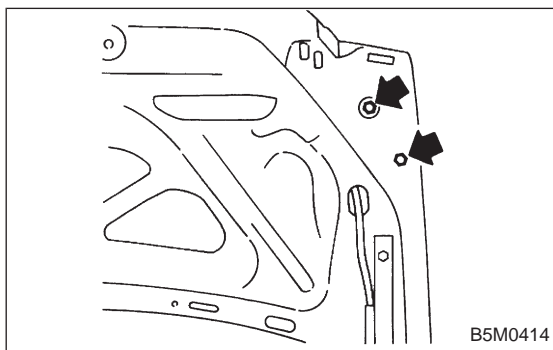
Undercover is bolted along with mud guard.



19. Rear Spoiler (4 Door Sedan 2500 cc GT model only)

A: REMOVAL AND INSTALLATION

- 1) Open trunk lid.
- 2) Disconnect high-mount stop light connector located inside the trunk lid.
- 3) Remove rubber caps.



- 4) Remove rear spoiler mounting nuts.

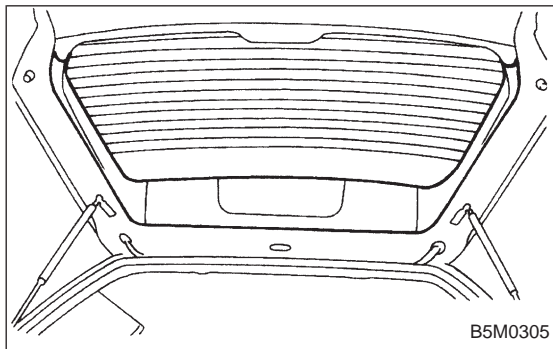
CAUTION:

When removing nuts, be careful not to drop them inside rear gate.

5) Installation is in the reverse order of removal.

Tightening torque:

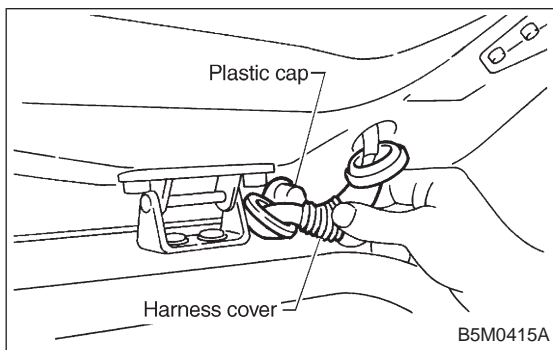
7.4 ± 2.0 N·m (0.75 ± 0.2 kg·m, 5.4 ± 1.4 ft·lb)



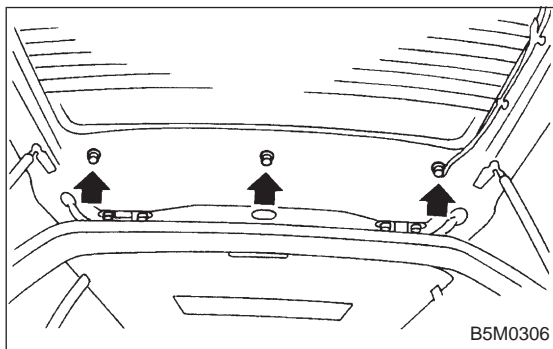
20. Roof Spoiler (Station Wagon 2500 cc GT model only)

A: REMOVAL AND INSTALLATION

- 1) Open rear gate and remove rear gate trim upper and side.
- 2) Remove high-mount stop light. <Ref. to 6-2 [W5A4].>



- 3) Remove plastic caps and harness covers.



- 4) Remove roof spoiler mounting nuts.

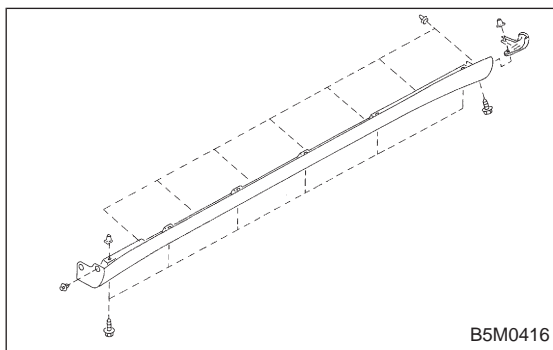
CAUTION:

- When removing nuts, be careful not to drop them inside rear gate.
- Be careful since two-sided tape is placed between roof spoiler and body panel.

5) Installation is in the reverse order of removal.

Tightening torque:

7.4 ± 2.0 N·m (0.75 ± 0.2 kg·m, 5.4 ± 1.4 ft·lb)



21. Side Spoiler (2500 cc GT model only)

A: REMOVAL AND INSTALLATION

- 1) Remove tapping screws, clip and end cover.
- 2) Installation is in the reverse order of removal.