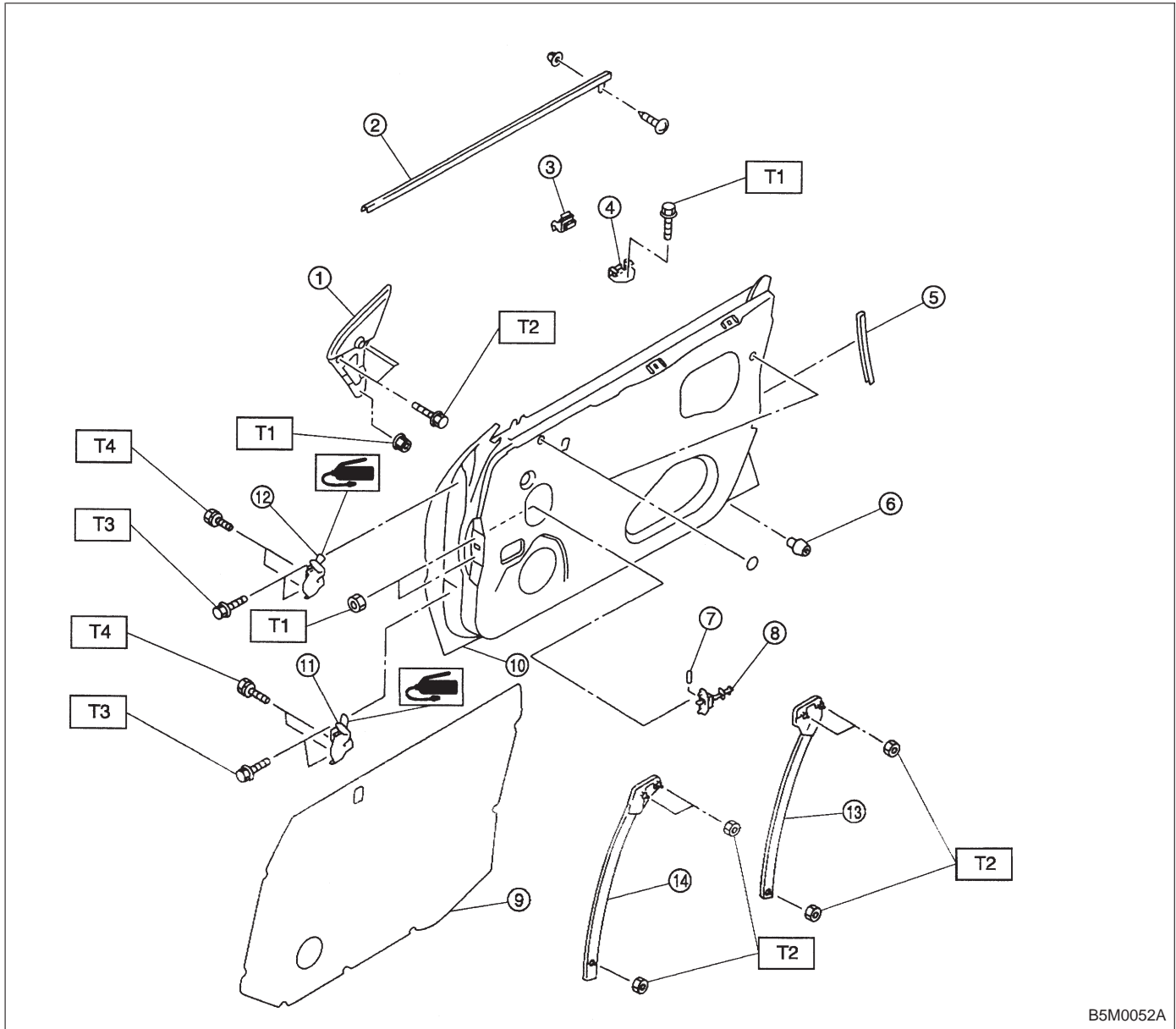


1. Front Door



B5M0052A

- | | |
|------------------------|---------------------|
| ① Gusset | ⑧ Checker |
| ② Weatherstrip (Outer) | ⑨ Sealing cover |
| ③ Stabilizer (Outer) | ⑩ Door panel |
| ④ Stabilizer (Inner) | ⑪ Lower hinge |
| ⑤ Protector | ⑫ Upper hinge |
| ⑥ Stopper | ⑬ Door sash (Rear) |
| ⑦ Knock pin | ⑭ Door sash (Front) |

Tightening torque: N-m (kg-m, ft-lb)
T1: 7.4±2.0 (0.75±0.2, 5.4±1.4)
T2: 13±3 (1.3±0.3, 9.4±2.2)
T3: 25±3 (2.5±0.3, 18.1±2.2)
T4: 29±5 (3.0±0.5, 21.7±3.6)