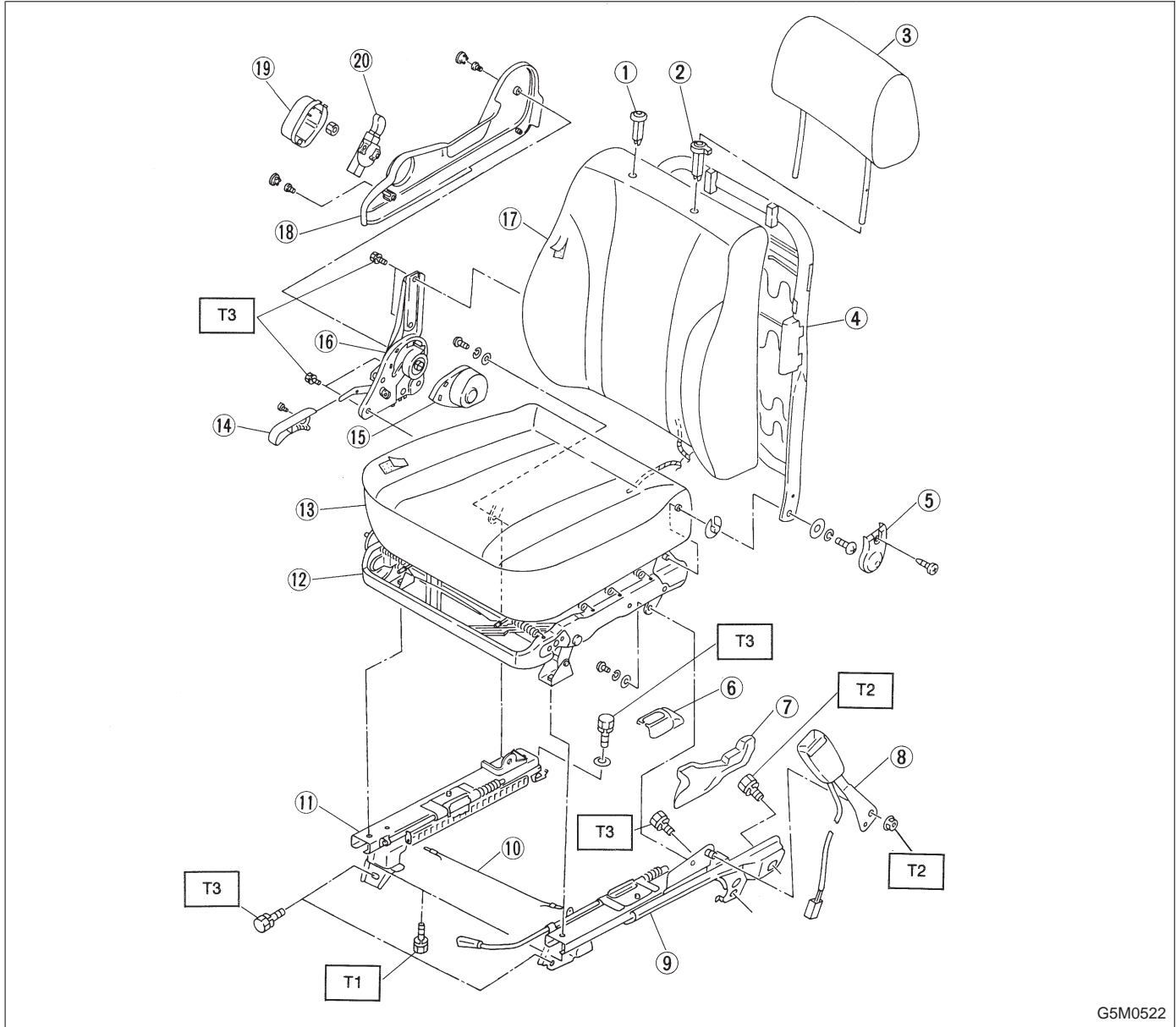


1. Front Seat



G5M0522

- ① Headrest free bushing
- ② Headrest lock bushing
- ③ Headrest ASSY
- ④ Front backrest frame ASSY
- ⑤ Protector
- ⑥ Cover (Bolt) (outer)
- ⑦ Cover (Bolt) (inner)
- ⑧ Inner belt ASSY
- ⑨ Inner slide rail ASSY

- ⑩ Connect wire
- ⑪ Outer slide rail ASSY
- ⑫ Front cushion frame ASSY
- ⑬ Cushion ASSY
- ⑭ Reclining lever
- ⑮ Hinge spring cover
- ⑯ Reclining hinge ASSY
- ⑰ Backrest ASSY
- ⑱ Hinge cover

- ⑲ Tilt lever cover
- ⑳ Tilt lever ASSY

Tightening torque: N·m (kg·m, ft·lb)

T1: 23±5 (2.3±0.5, 16.6±3.6)

T2: 29±7 (3.0±0.7, 21.7±5.1)

T3: 52±10 (5.3±1.0, 38±7)