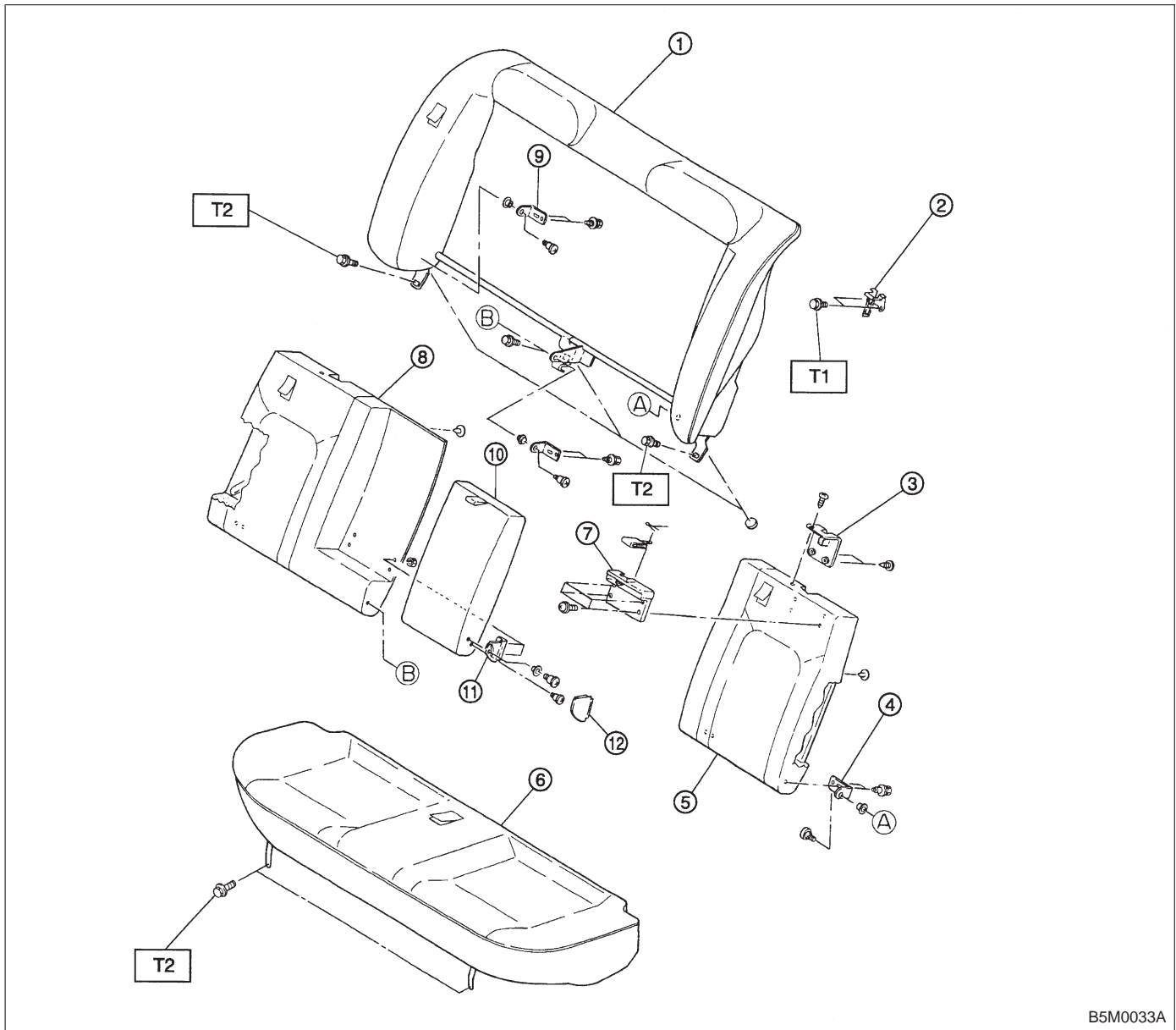


2. Rear Seat

1. SEDAN MODEL

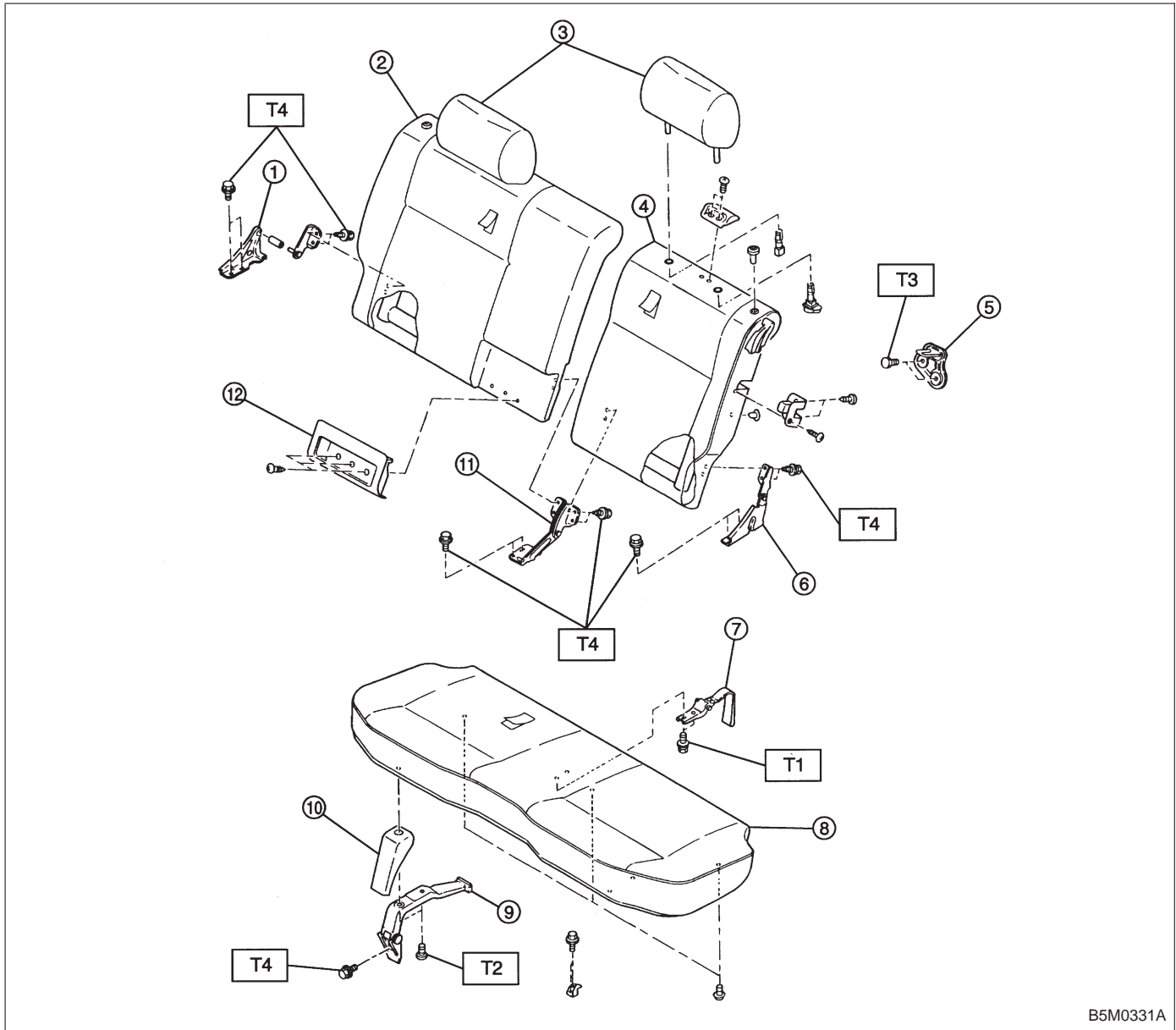


B5M0033A

- | | |
|-----------------|-----------------|
| ① Backrest | ⑦ Lock ASSY |
| ② Striker | ⑧ Backrest (RH) |
| ③ Lock cover | ⑨ Bracket (RH) |
| ④ Bracket (LH) | ⑩ Arm rest |
| ⑤ Backrest (LH) | ⑪ Hinge |
| ⑥ Cushion | ⑫ Cover |

Tightening torque: N·m (kg·m, ft·lb)
T1: 10±3 (1.0±0.3, 7.2±2.2)
T2: 25±7 (2.5±0.7, 18.1±5.1)

2. WAGON MODEL



B5M0331A

- | | |
|----------------------|-------------------------|
| ① Hinge bracket (RH) | ⑧ Rear cushion |
| ② Backrest (RH) | ⑨ Hinge |
| ③ Pillow | ⑩ Hinge cover |
| ④ Backrest (LH) | ⑪ Backrest center hinge |
| ⑤ Striker | ⑫ Pocket |
| ⑥ Hinge bracket (LH) | |
| ⑦ Lock hinge | |

Tightening torque: N·m (kg·m, ft·lb)

T1: 2±1 (0.2±0.1, 1.4±0.7)

T2: 5.9±1.5

(0.6±0.15, 4.3±1.1)

T3: 10±3 (1.0±0.3, 7.2±2.2)

T4: 25±7 (2.5±0.7, 18.1±5.1)