

2. WAGON MODEL

Installation is in the reverse order of removal.

CAUTION:

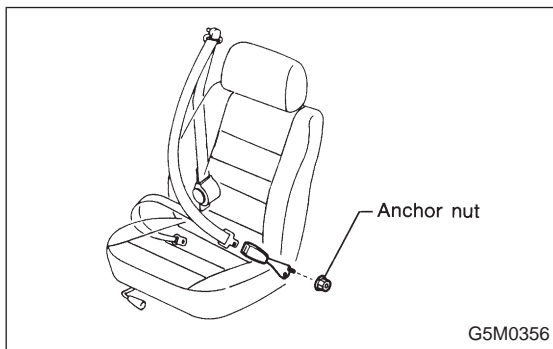
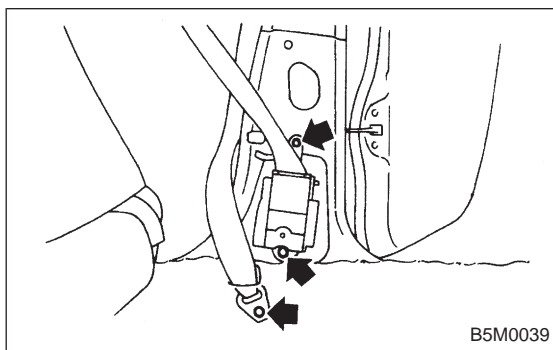
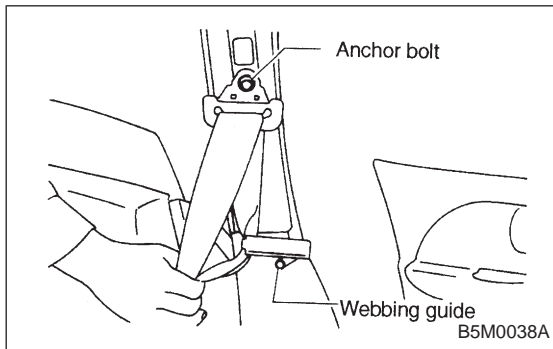
- Do not allow center seat belt to get under cushion when folding cushion.
- Ensure that side seat belt tongue is free from cushion and trim panel.
- Lift front of cushion to ensure that cushion is properly locked.

3. Front Seat Belt

A: REMOVAL AND INSTALLATION

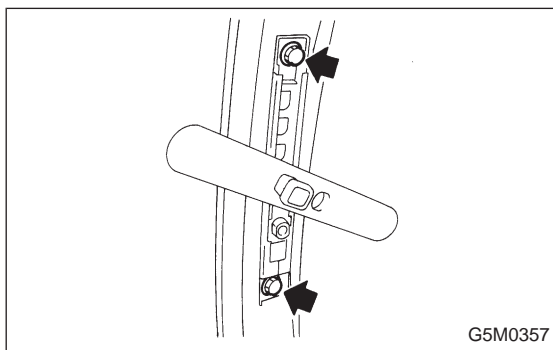
1. OUTER BELT

- 1) Remove through anchor cover cap.
- 2) Remove shoulder anchor bolt.
- 3) Remove side sill rear upper cover and front pillar lower trim.
- 4) Remove center pillar lower trim.
- 5) Remove webbing guide.
- 6) Roll up floor mat at the bottom of center pillar.
- 7) Remove lap anchor bolt.
- 8) Remove outer belt assembly.



2. INNER BELT

Remove anchor nut.



3. ADJUSTABLE SHOULDER ANCHOR

- 1) Remove shoulder anchor bolt.
- 2) Remove lower center pillar trim.
- 3) Remove front and center pillar upper trim.
- 4) Remove adjustable shoulder anchor assembly.
- 5) Installation is in the reverse order of removal.

CAUTION:

- The left and right ELR's are not mutually interchangeable because different sensors are used.
- Be careful not to twist belts during installation.