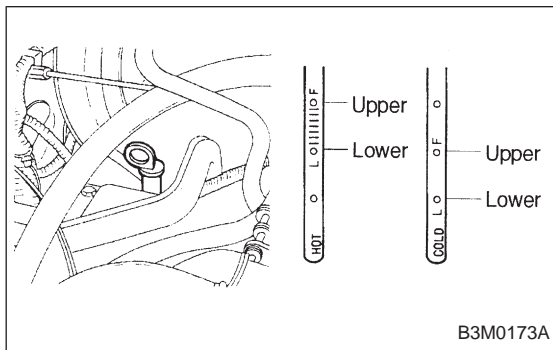


1. Supplemental Restraint System "Airbag"

Airbag system wiring harness is routed near the transmission control module (TCM).

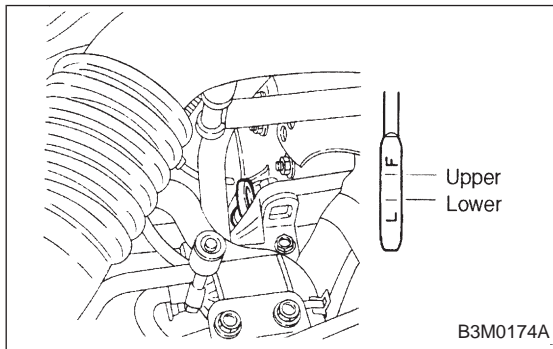
- All Airbag system wiring harness and connectors are colored yellow. Do not use electrical test equipment on these circuit.
- Be careful not to damage Airbag system wiring harness when performing diagnostics and servicing the TCM.



2. Pre-inspection

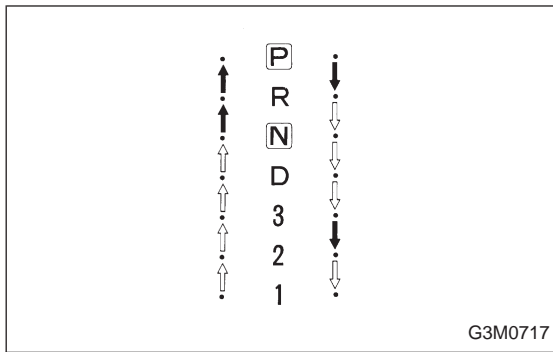
1. ATF LEVEL

Make sure that ATF level is in the specification.



2. FRONT DIFFERENTIAL OIL LEVEL

Make sure that front differential oil level is in the specification.



3. OPERATION OF SHIFT SELECTOR LEVER

WARNING:

Stop the engine while checking operation of selector lever.

- 1) Check that selector lever does not move from "N" to "R" without pushing the button.
- 2) Check that selector lever does not move from "R" to "P" without pushing the button.
- 3) Check that selector lever does not move from "P" to "R" without pushing the button.
- 4) Check that selector lever does not move from "3" to "2" without pushing the button.