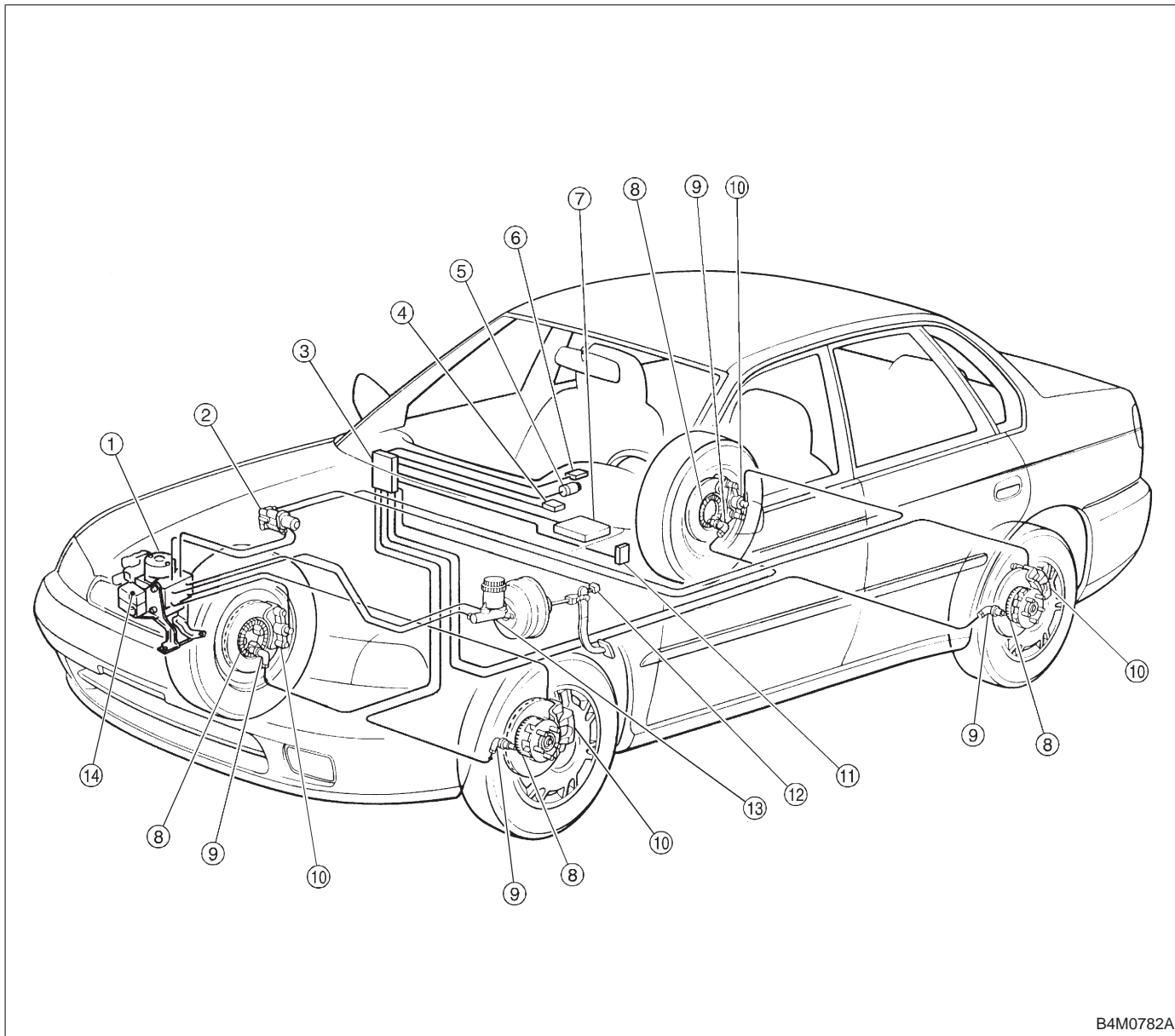


3. Electrical Components Location



B4M0782A

- | | |
|---|-------------------------------|
| ① Hydraulic control unit (H/U) | ⑧ Tone wheel |
| ② Proportioning valve | ⑨ ABS sensor |
| ③ ABS control module (ABSCM) | ⑩ Wheel cylinder |
| ④ Diagnosis connector | ⑪ G sensor (only AWD vehicle) |
| ⑤ ABS warning light | ⑫ Brake switch |
| ⑥ Data link connector (for Subaru select monitor) | ⑬ Master cylinder |
| ⑦ Transmission control module (only AT vehicle) | ⑭ Relay box |

