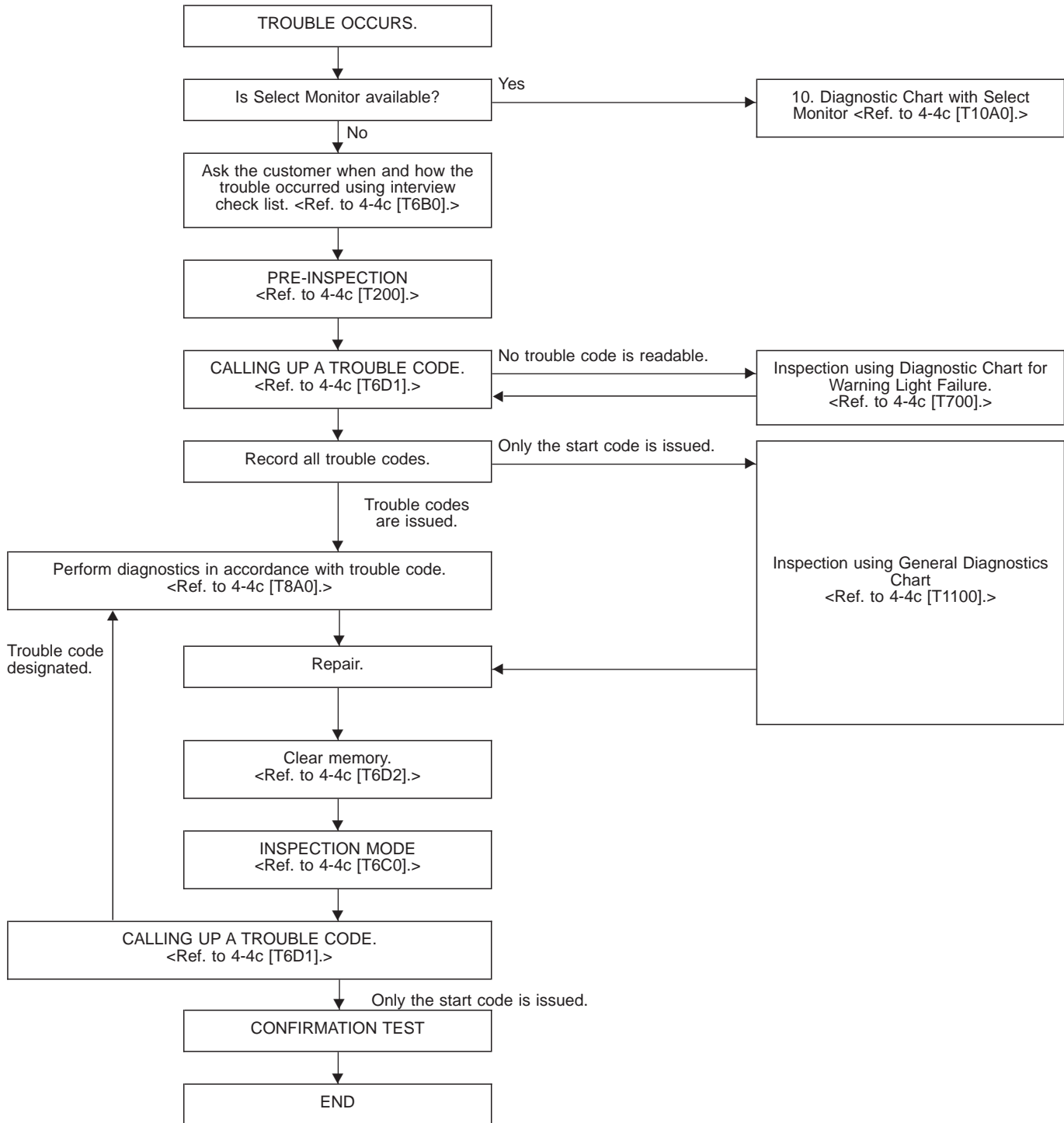


6. Diagnostics Chart for On-board Diagnosis System

A: BASIC DIAGNOSTICS PROCEDURE



NOTE:

- To check harness for broken wires or short circuits, shake it while holding it or the connector.
- When ABS warning light illuminates, read and record trouble code indicated by ABS warning light.

B: CHECK LIST FOR INTERVIEW

Check the following items about the vehicle's state.

1. THE STATE OF THE WARNING LIGHTS

a. ABS warning light	
① Is always on. ② Sometimes comes on. ③ Comes on only once. ④ Does not come on.	
When/how long does it come on?	
Ignition key position	① Lock ② Acc ③ On (before starting engine) ④ Start ⑤ On after starting (Engine: run) ⑥ On after starting (Engine: stop)
Timing	① Immediately after ignition is on. ② Immediately after ignition starts. ③ When advancing (Speed ___ miles/h → ___ miles/h) ④ While traveling at a constant speed (Speed ___ miles/h) ⑤ When decelerating (Speed ___ miles/h → ___ miles/h) ⑥ When turning (To right, to left, steering angle ___ deg., steering time ___ sec) ⑦ When moving other electrical parts (Part name: ____, Operating condition _____)

2. SYMPTOMS

ABS operating condition	① Performs no work. ② Operates only when abruptly applying brakes. (Conditions: vehicle speed ___ miles/h, how to step on brake pedal ___) ③ Operating time (___ sec., etc. _____) ④ Operating noise (Produced/Not produced) ⑤ What kind of noise? (Knock, gong gong, bong, buzz, gong gong buzz, etc. _____) ⑥ Reaction force of brake pedal (Stick, pressed down once with a clunk, pressed and released, etc. _____)
Behavior of vehicle	① Directional stability cannot be obtained or steering arm refuses to work when applying brakes (vehicle turns to right, turns to left, spins, etc. _____). ② Directional stability cannot be obtained or steering arm refuses to work when accelerating (vehicle turns to right, turns to left, spins, etc. _____). ③ Brakes are out of order (braking distance is long, brakes lock or drag, pedal stroke is long, pedal sticks, etc. _____). ④ Poor acceleration (fails to accelerate, engine stalls, etc. _____). ⑤ Vibration, abnormal noise (operating noise is loud, noise is produced during operation from the front of vehicle (right, left) (tones: ___), noise is produced during operation from the rear of vehicle (tones: ____, others _____)) ⑥ Other phenomena (concrete symptoms _____)

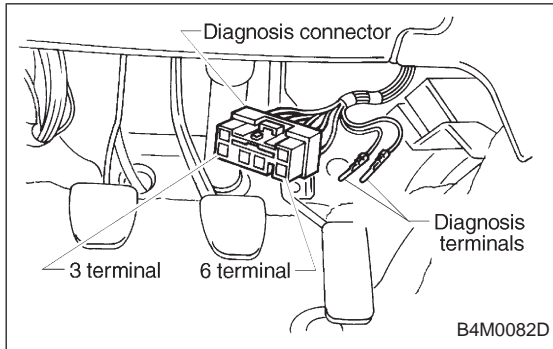
3. CONDITIONS UNDER WHICH TROUBLE OCCURS

Environment	① Weather (fine, cloudy, rain, snow, etc. ___) ② Ambient temperature (___ °C/°F) ③ Road (urban area, suburbs, highway, general road, ascending slope, descending slope, paved road, gravel road, muddy road, sandy place, etc. ___) ④ Road surface (dry, wet, new-fallen snow, compressed snow, frozen slope, etc. _____)
Conditions	① Brakes (deceleration ___ g, continuous/intermittent) ② Accelerator (acceleration ___ g, continuous/intermittent) ③ Travel speed (___ miles, advancing, accelerating, reducing speed, low speed, turning, etc. _____) ④ Condition of tire of each wheel (air pressure ____, degree of wear ____, whether or not genuine parts are used, whether or not chain is passed around tires, whether or not T tire is used.) others (_____) ⑤ Condition of suspension alignment (_____) ⑥ Loading state (_____)

4. REPAIRED PARTS ARE USED OR NOT

C: INSPECTION MODE

Reproduce the condition under which the problem has occurred as much as possible.
 Drive the vehicle at a speed more than 40 km/h (25 MPH) for at least one minute.



D: TROUBLE CODES

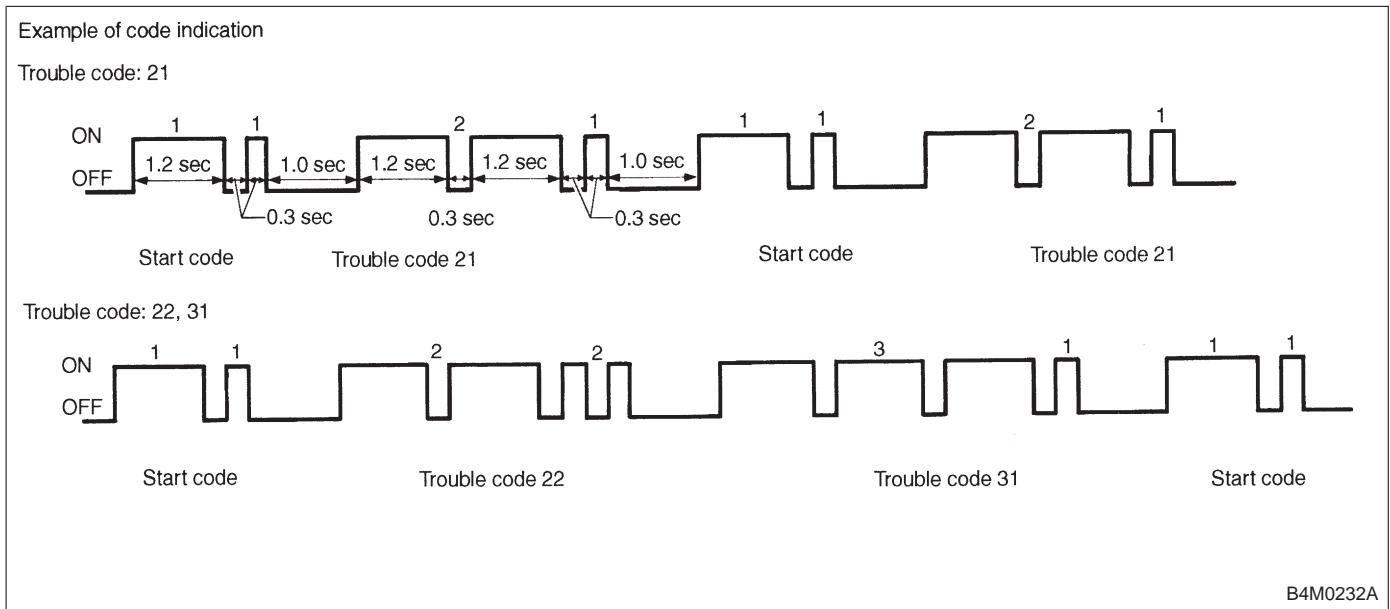
When on-board diagnosis of the ABS control module detects a problem, the information (up to a maximum of three) will be stored in the EEP ROM as a trouble code. When there are more than three, the most recent three will be stored. (Stored codes will stay in memory until they are cleared.)

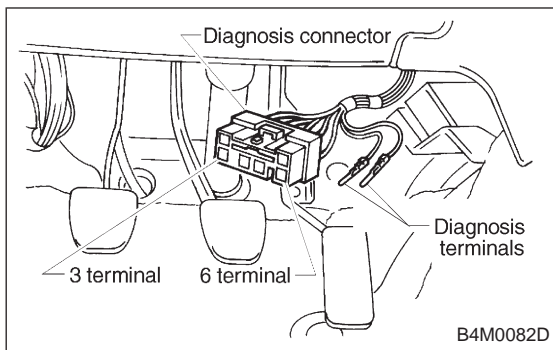
1. CALLING UP A TROUBLE CODE

- 1) Take out diagnosis connector from side of driver's seat heater unit.
- 2) Turn ignition switch OFF.
- 3) Connect diagnosis connector terminal 6 to diagnosis terminal.
- 4) Turn ignition switch ON.
- 5) ABS warning light is set in the diagnostic mode and blinks to identify trouble code.
- 6) After the start code (11) is shown, the trouble codes will be shown in order of the last information first. These repeat for a maximum of 5 minutes.

NOTE:

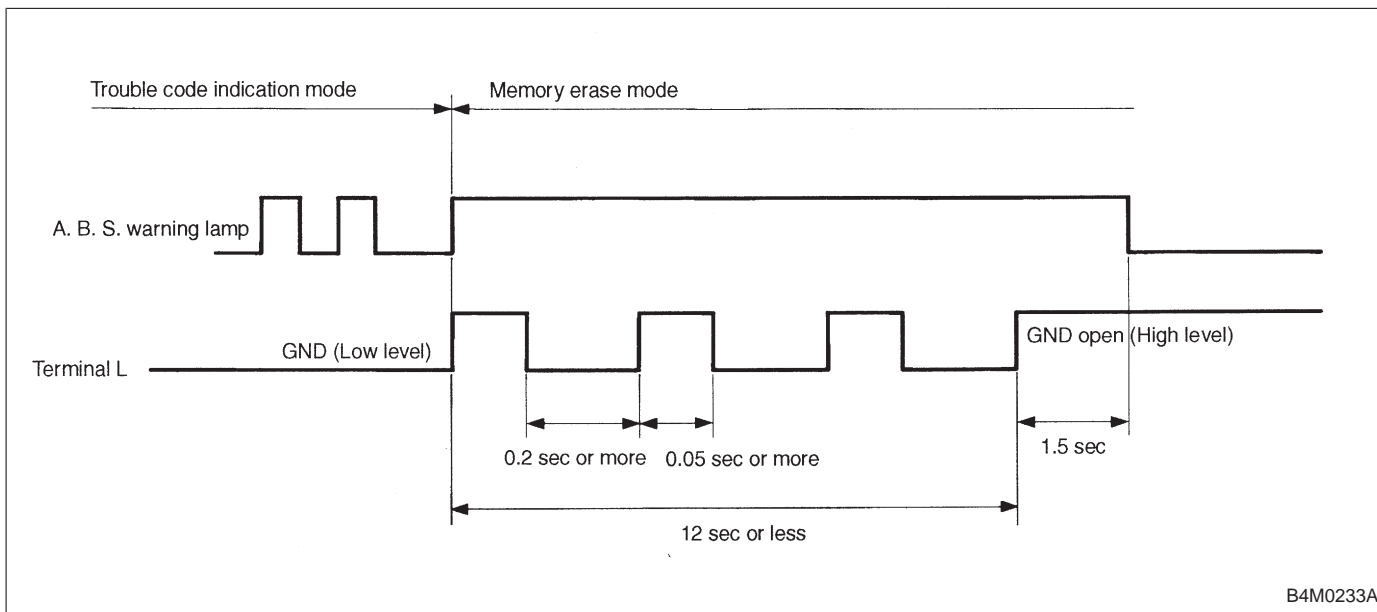
When there are no trouble codes in memory, only the start code (11) is shown.





2. CLEARING MEMORY

- 1) After calling up a trouble code, disconnect diagnosis connector terminal 6 from diagnosis terminal.
- 2) Repeat 3 times within approx. 12 seconds; connecting and disconnecting terminal 6 and diagnosis terminal for at least 0.05 seconds each time.



NOTE:
 After diagnostics is completed, make sure to clear memory. Make sure only start code (11) is shown after memory is cleared.