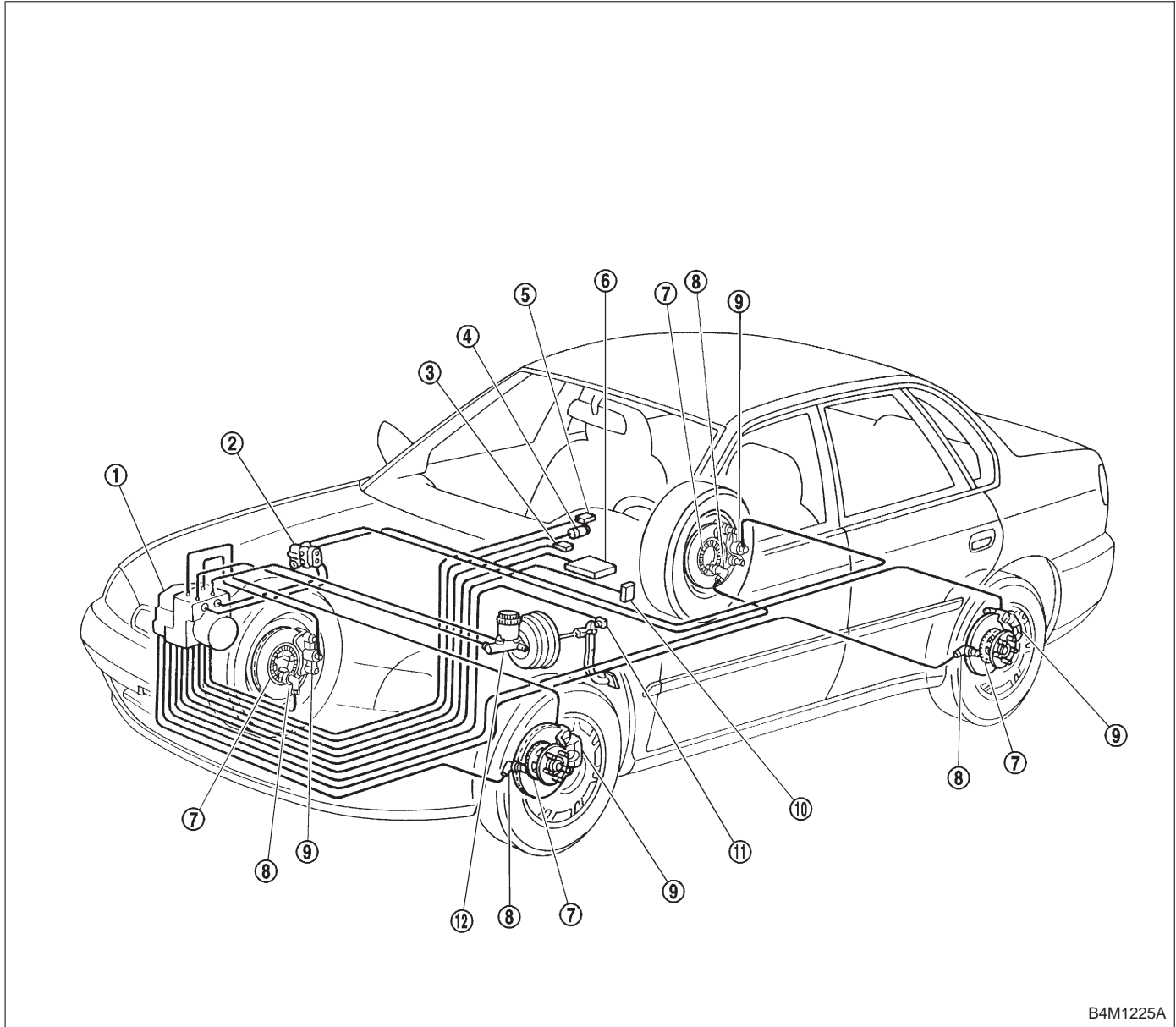


3. Electrical Components Location



B4M1225A

- |  |  |
|--|--|
| <ul style="list-style-type: none"> <li>① ABS control module and hydraulic control unit (ABSCM&amp;H/U)</li> <li>② Proportioning valve</li> <li>③ Diagnosis connector</li> <li>④ ABS warning light</li> <li>⑤ Data link connector (for Subaru select monitor)</li> <li>⑥ Transmission control module (only AT vehicle)</li> </ul> | <ul style="list-style-type: none"> <li>⑦ Tone wheel</li> <li>⑧ ABS sensor</li> <li>⑨ Wheel cylinder</li> <li>⑩ G sensor (only AWD vehicle)</li> <li>⑪ Brake switch</li> <li>⑫ Master cylinder</li> </ul> |
|--|--|

