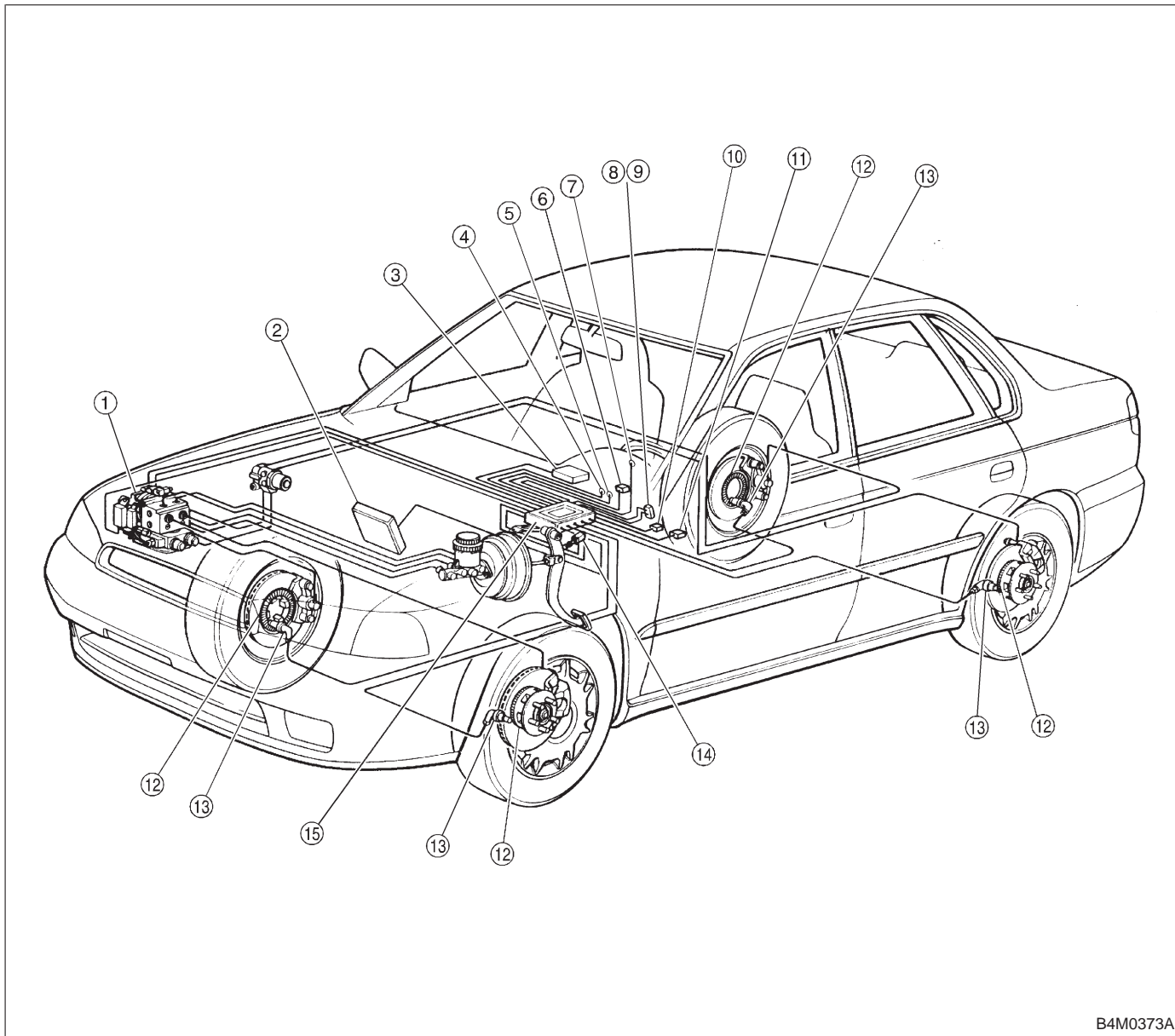
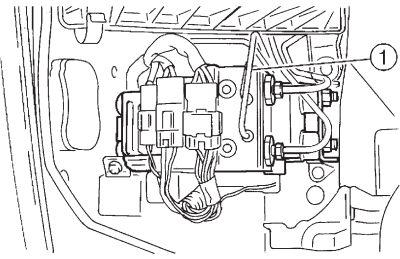
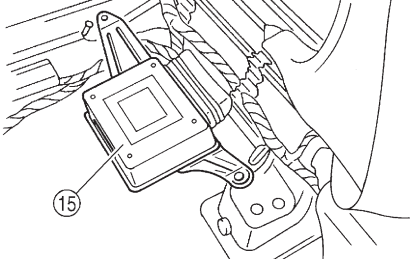
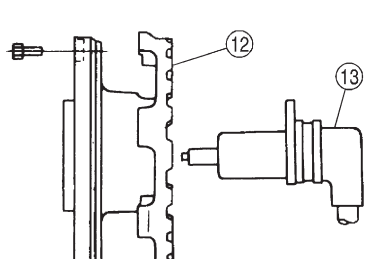
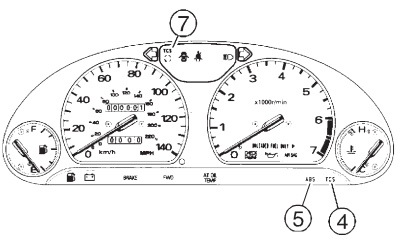
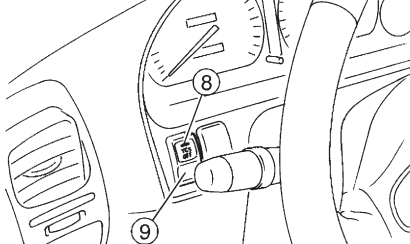
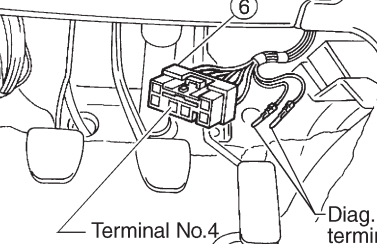
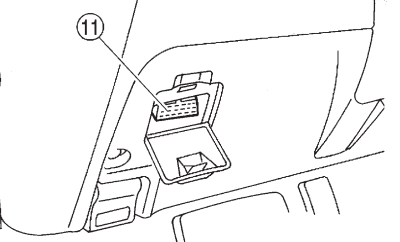
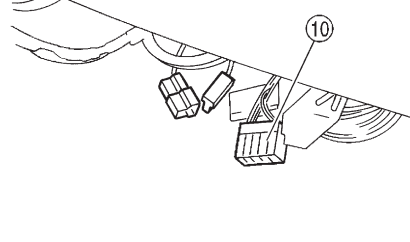


3. Electrical Components Location



B4M0373A

- | | |
|---------------------------------|--|
| ① Hydraulic control unit | ⑨ TCS OFF switch |
| ② Engine control module | ⑩ Data link connector (for Subaru select monitor) |
| ③ AT control module | ⑪ Data link connector (for Subaru select monitor and OBD-II general scan tool) |
| ④ TCS warning light | ⑫ Tone wheel |
| ⑤ ABS warning light | ⑬ ABS sensor |
| ⑥ Diagnosis connector | ⑭ Stroke sensor |
| ⑦ TCS operating indicator light | ⑮ ABS/TCS control module |
| ⑧ TCS OFF indicator light | |

 <p>B4M0374A</p>	 <p>B4M0376A</p>	 <p>B4M0646A</p>
 <p>B4M0377A</p>	 <p>B4M0379A</p>	 <p>B4M0378A</p>
 <p>B4M0375A</p>	 <p>B4M0645A</p>	<p>SUBARU.</p>